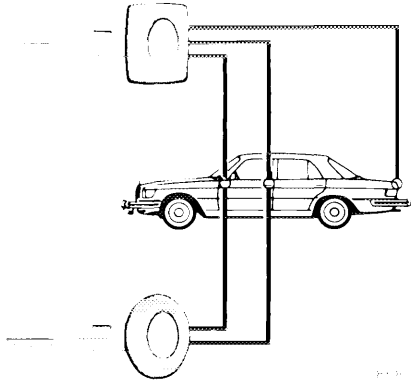
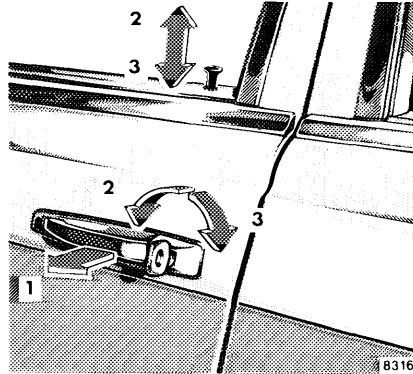


Keys Doors



Master Key — square head — fits all locks on the car.

Supplementary Key — rounded head — fits only the door locks and the steering lock. This key is intended to be used whenever the car is left with an attendant. Be sure to lock glove compartment and trunk with the master key.



Opening the Doors

From outside: pull handle outwards (1).

From inside: pull handle in door trim panel.

Locking and Unlocking of Doors

From the outside: turn key.

From the inside: actuate plunger.

2 Unlocking

3 Locking

When the rear door plunger's are pushed down the rear doors cannot be opened from the outside or the inside. They can be opened after pulling plungers up.

One cannot lock:

- the driver's door if it is open.
- any door if the door lock has not engaged fully. In this case open the door and close it again.