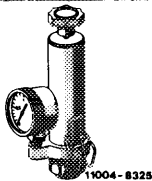
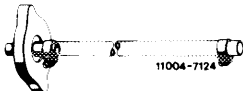



20–110 Removal and installation of coolant thermostat

Tightening torques	Type	Nm
Screws for housing cover coolant thermostat		9–11
Drain plug for radiator	116	6–10
	123, 126	1.5–2 ¹⁾

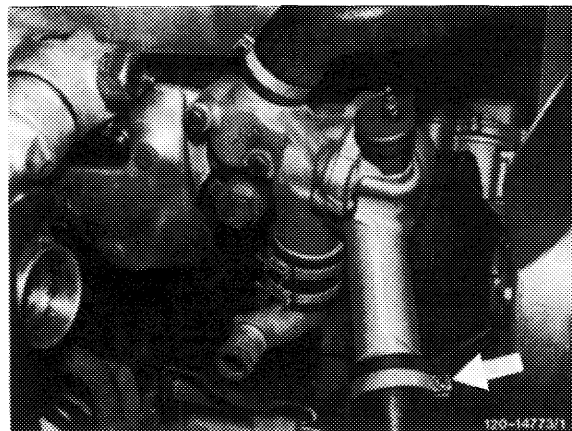
¹⁾ This torque can be obtained by means of a washer or a coin.

Special tools

Tester for cooling system	 11004-8328	001 589 48 21 00
Radiator cap with hose for leak test	 11004-7124	605 589 00 25 00
7 mm socket on flexible shaft for hose clamps	 11004-8887	123 589 12 09 00

Removal

- 1 Drain coolant (20–010).
- 2 Disconnect hose on coolant thermostat housing cover (arrow).
- 3 Unscrew coolant thermostat housing cover.

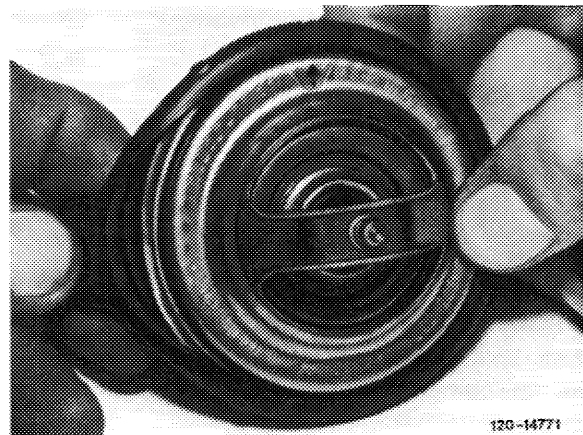
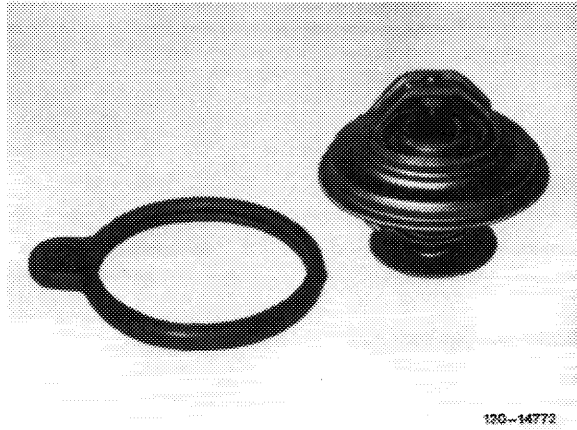


- 4 Remove coolant thermostat with seal out of cover.
- 5 Check seal for damage and replace, if required.

Installation

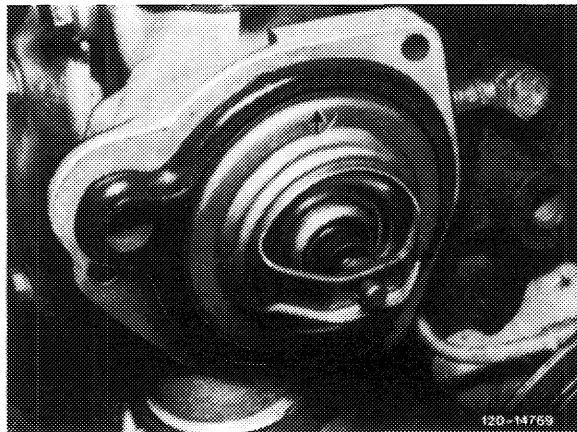
Note: Replace damaged seal.

6 Place seal on coolant thermostat.



7 Install coolant thermostat with seal in such a manner that arrow on thermostat points upwards.

8 Screw on coolant thermostat housing cover, tighten to 9–11 Nm and connect hose.



9 Add coolant (20-010).

10 Pressure-test cooling system with tester (approx. 1 bar gage pressure).