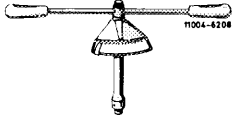



## 18–125 Removal and installation of thermostat in oil filter

Tightening torques	Nm
Nuts for oil filter cover	20–25
Screws for oil filter on cylinder crankcase	20–25
Valve seat ring in oil filter housing	35–45

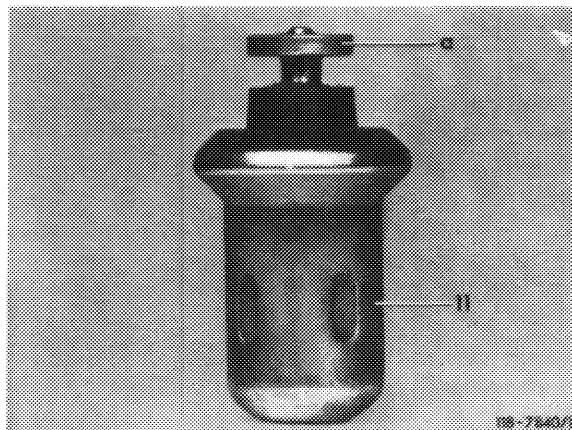
### Special tools

Torque wrench 3/8" square, 8–32 Nm		001 589 51 21 00
Socket 1/2" square for valve seat ring		617 589 00 07 00

### Note

Remove functioning thermostat only at temperatures below 60 °C, since otherwise the thrust pin (a) will be pushed out.

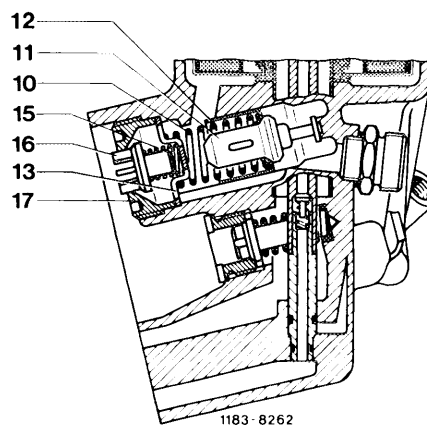
Never pull thrust pin (a) out of wax thermostat (11), since otherwise proper function cannot be guaranteed.

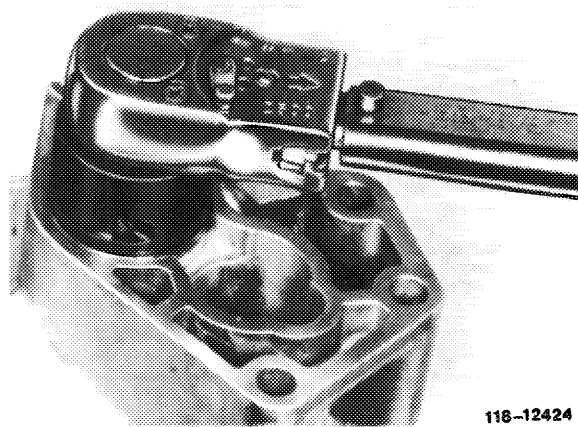


### Removal

- 1 Remove oil filter (18–110).
- 2 Unscrew valve seat ring (17) by means of socket.

- |                       |  |
|-----------------------|--|
| 10 Compression spring | 15 Compression spring                        |
| 11 Thermostat         | 16 Return flow locking valve                 |
| 12 Control valve      | 17 Valve seat ring return flow locking valve |
| 13 Spring retainer    |  |





3 Remove return flow locking valve (16) with compression spring (15), spring retainer (13), compression spring (10) and thermostat (11) with control valve (12).

### Installation

---

5 Insert thermostat (11) with control valve (12), compression spring (10), spring retainer (13) and return flow locking valve (16) with compression spring (15).

6 Tighten valve seat ring (17) by means of socket to 35–45 Nm.

7 Peen valve seat ring in both recesses on oil filter housing (arrows) by means of a cross chisel.

8 Install oil filter with new gasket (18–110).

9 Run engine at idle and check for leaks.

10 Correct oil level.

