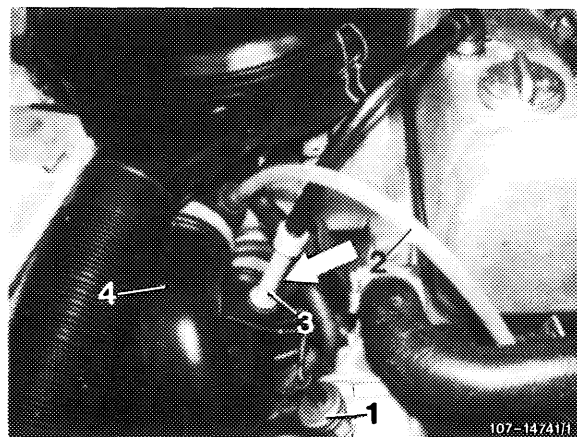
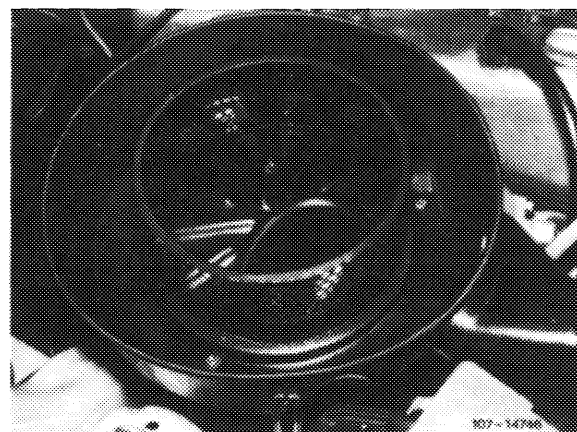


Removal

- 1 Detach intake hose at air filter.
- 2 Remove air filter cover.
- 3 Unscrew vacuum line (2) for vacuum pump.
On vehicles up to model year 1979 only.
- 4 Remove crankcase ventilation pipe (3).
- 5 Release hose clip (arrow) at intake line (4).



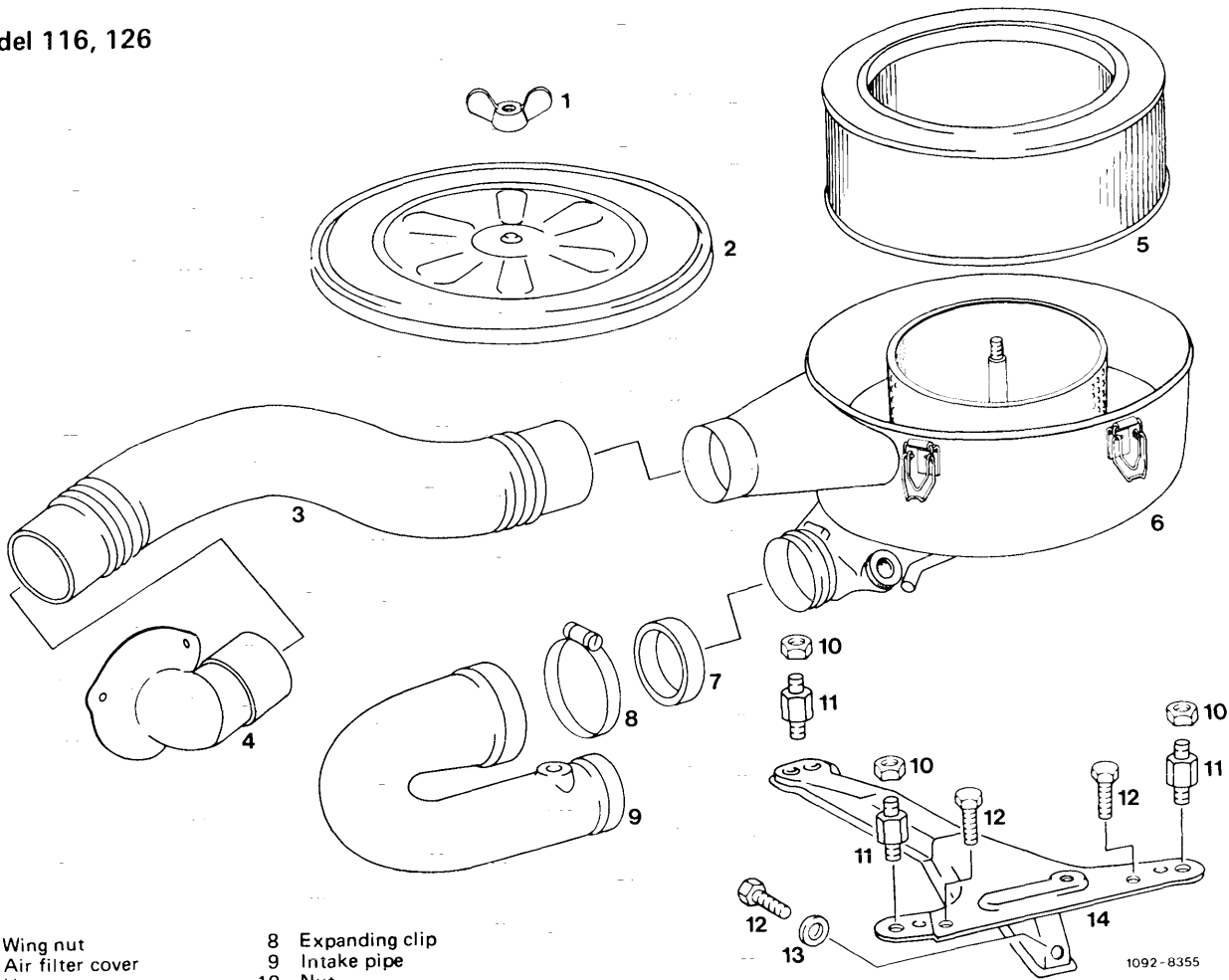
- 6 Unscrew fastening nuts inside air filter housing and withdraw air filter.



Installation

- 7 Install in reverse order, making sure that rubber ring is correctly seated at turbocharger flange.

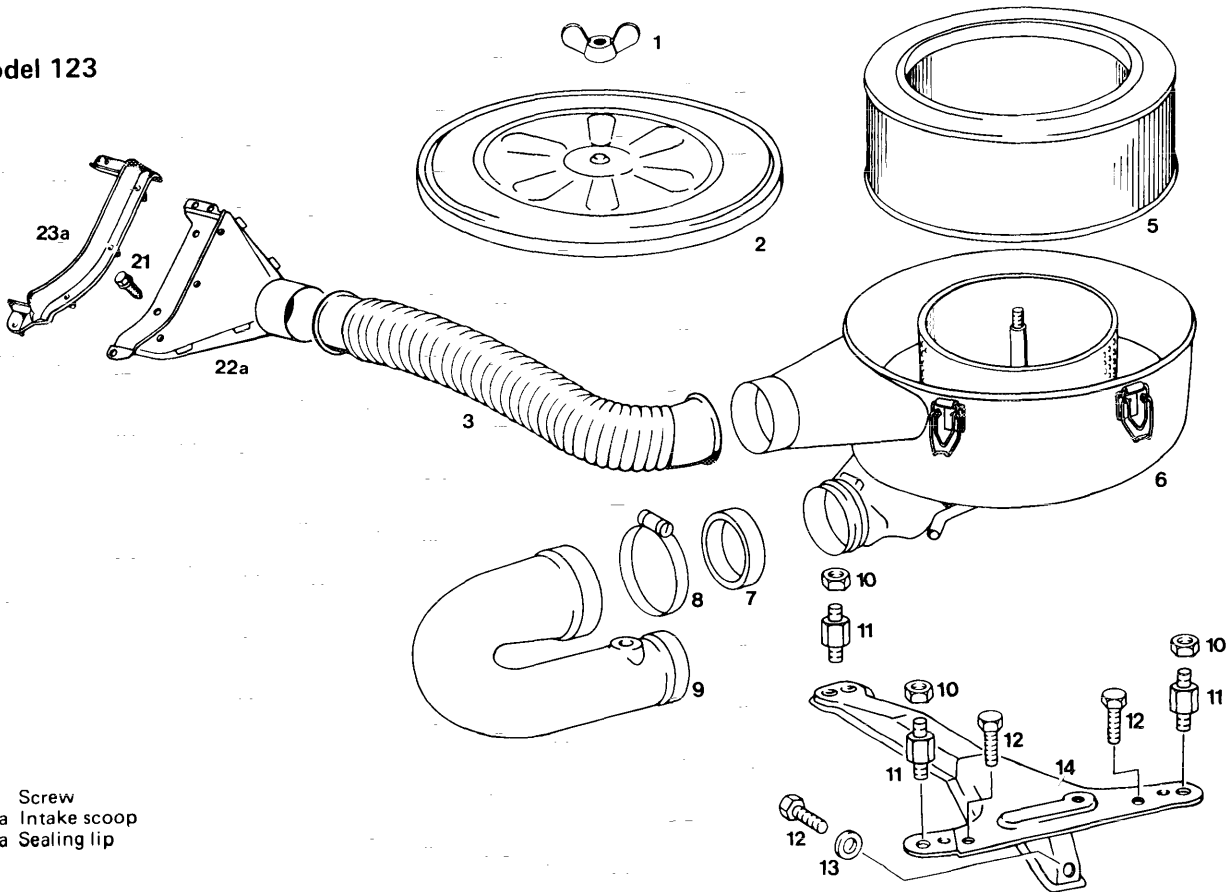
Model 116, 126



- | | |
|-----------------------|---------------------------------------|
| 1 Wing nut | 8 Expanding clip |
| 2 Air filter cover | 9 Intake pipe |
| 3 Hose | 10 Nut |
| 4 Air intake | 11 Rubber-bonded metal shock absorber |
| 5 Air filter element | 12 Bolt |
| 6 Air filter | 13 Washer |
| 7 Rubber sealing ring | 14 Holder |

1092-8355

Model 123



- | |
|------------------|
| 21 Screw |
| 22a Intake scoop |
| 23a Sealing lip |

1092-9959