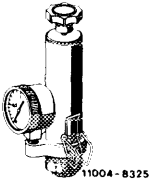
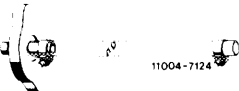



20–210 Removal and installation of water pump

| Tightening torques | | Nm |
|--------------------------------------|----------------------|---------------------|
| Radiator drain plug | Models 107, 114, 116 | 6–10 |
| | Models 123, 126 | 1.5–2 ¹⁾ |
| Air oil cooler drain plug | | 30–35 |
| Vibration damper mounting bolts | | 35 |
| Coolant pump to coolant pump housing | | 9 |
| Visco-fan clutch to coolant pump | | 25 |
| Magnetic fan clutch to coolant pump | | 20–25 |

¹⁾ This torque can be established by means of a washer or coin.

Special tools

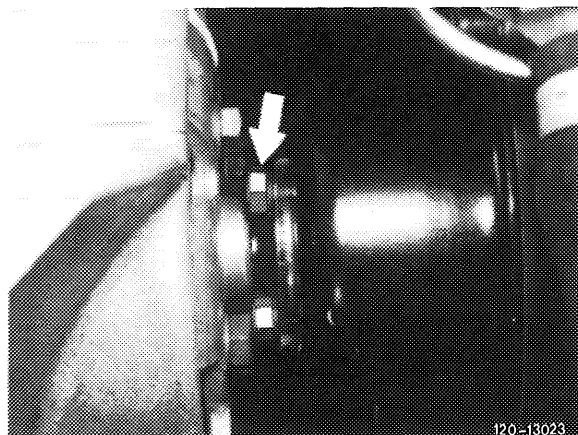
| | | |
|---|--|------------------|
| Tester for cooling system |  | 001 589 48 21 00 |
| Radiator cap with hose for leak test |  | 605 589 00 25 00 |
| Socket wrench with 7 mm hex. head on flexible shaft for hose clamps with worm drive |  | 123 589 12 09 00 |

Removal

- 1 Drain coolant (20–010).
- 2 Remove radiator (20–420).

Models 107, 114, 116

- 3 Remove fan with visco-fan clutch.

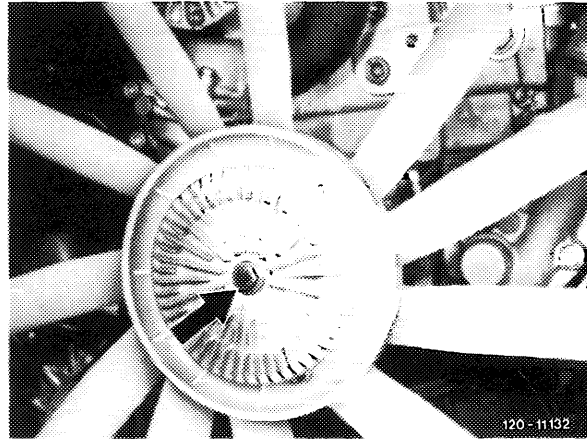


120–13023

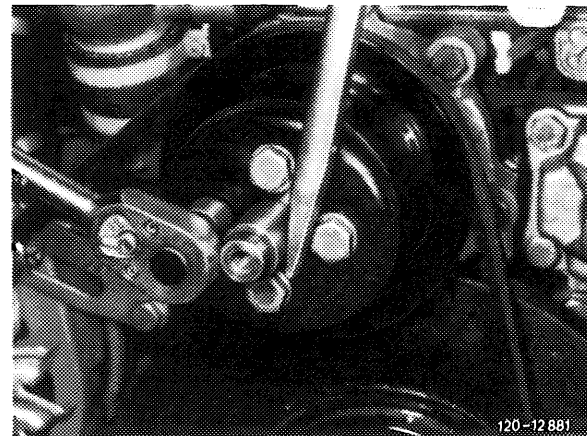
Models 123, 126

- 3 Detach magnetic fan clutch.

Magnetic fan clutch

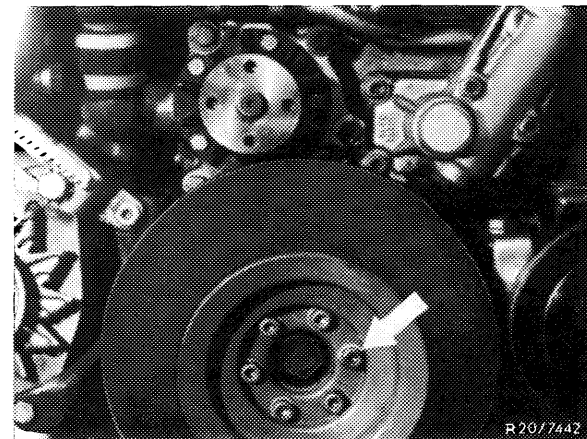


- 4 Unscrew pulley.



- 5 Unscrew vibration damper.

- 6 Remove coolant pump.



Installation

- 7 Install in reverse sequence of removal.