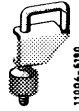


07.3–280 Removal and installation of fuel pump

Special tools

Clamp for hose lines

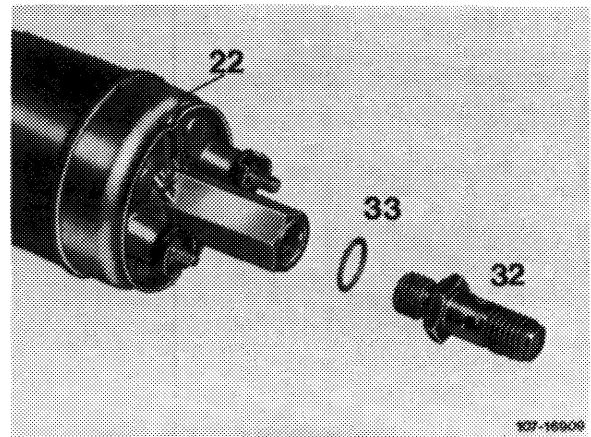


000 589 40 37 00

Note

The fuel pump is provided with a special coating on roller running surface, an exchangeable check valve and, to prevent contact corrosion, a plastic sleeve.

The check valve has been moved in outward direction and can be separately replaced in the event of failure.

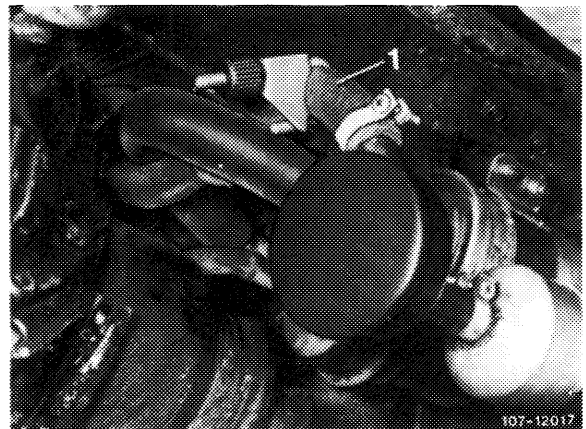


22 Fuel pump
32 Check valve
33 Sealing ring

When exchanging fuel pump, make sure that the plastic sleeve is mounted in-between fuel pump and holder. Sleeve should project on both sides of holder, since direct contact of fuel pump with holder may lead to contact corrosion.

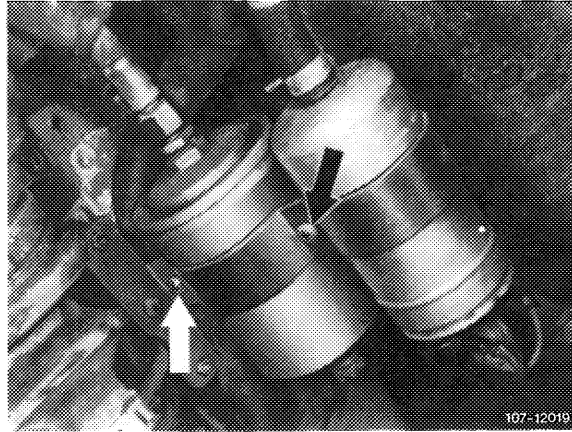
Removal

- 1 Unscrew protective case.
- 2 Pinch fuel suction hose (1) with a clamp.



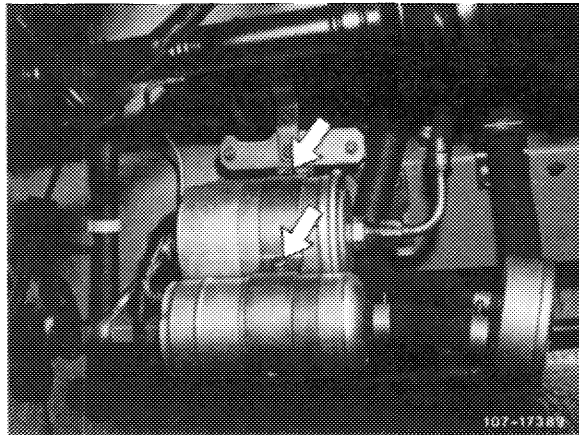
1st version

- 3 Loosen fuel hoses, pull off and unscrew.
- 4 Disconnect electric connecting cable.
- 5 Loosen fastening screw (arrow) and remove fuel pump.



2nd version

- 6 Loosen fuel line on fuel filter and fuel reservoir. Loosen fuel line on fuel pump, pull off and unscrew.
- 7 Disconnect electric connecting cable.
- 8 Loosen fastening screw (arrow) and remove fuel pump.



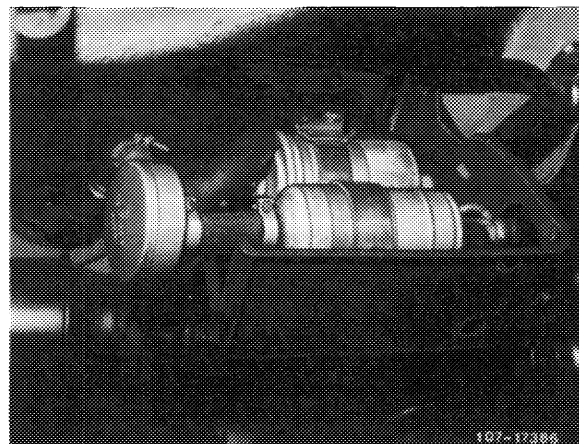
Installation

- 9 For installation proceed vice versa using new sealing rings.

Pay attention to perfect installation of fuel hoses, also to correct polarity. In installation position, terminals should be horizontal.

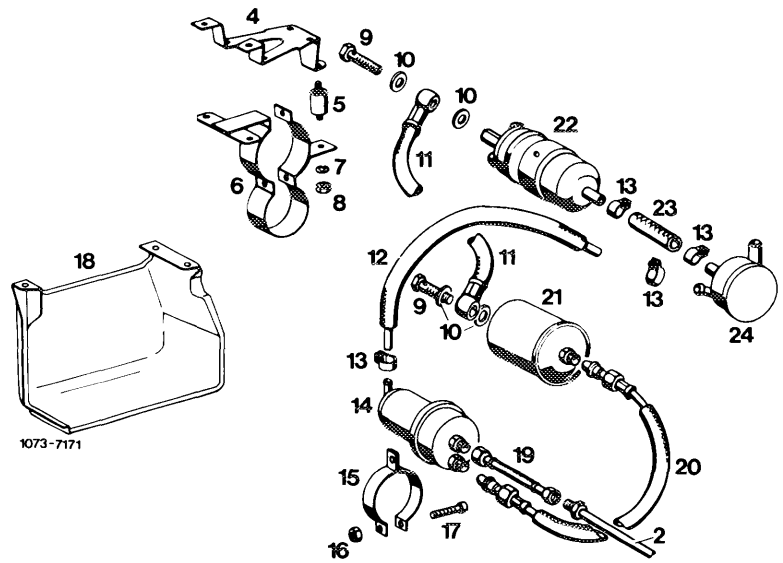
- 10 Locate fuel pump in holder by means of plastic sleeve. Plastic sleeve should project on both sides of holder, since direct contact of fuel pump with holder may lead to contact corrosion.

- 11 Remove clamp on fuel suction hose.
- 12 Run engine and check for leaks.
- 13 Mount protective case.

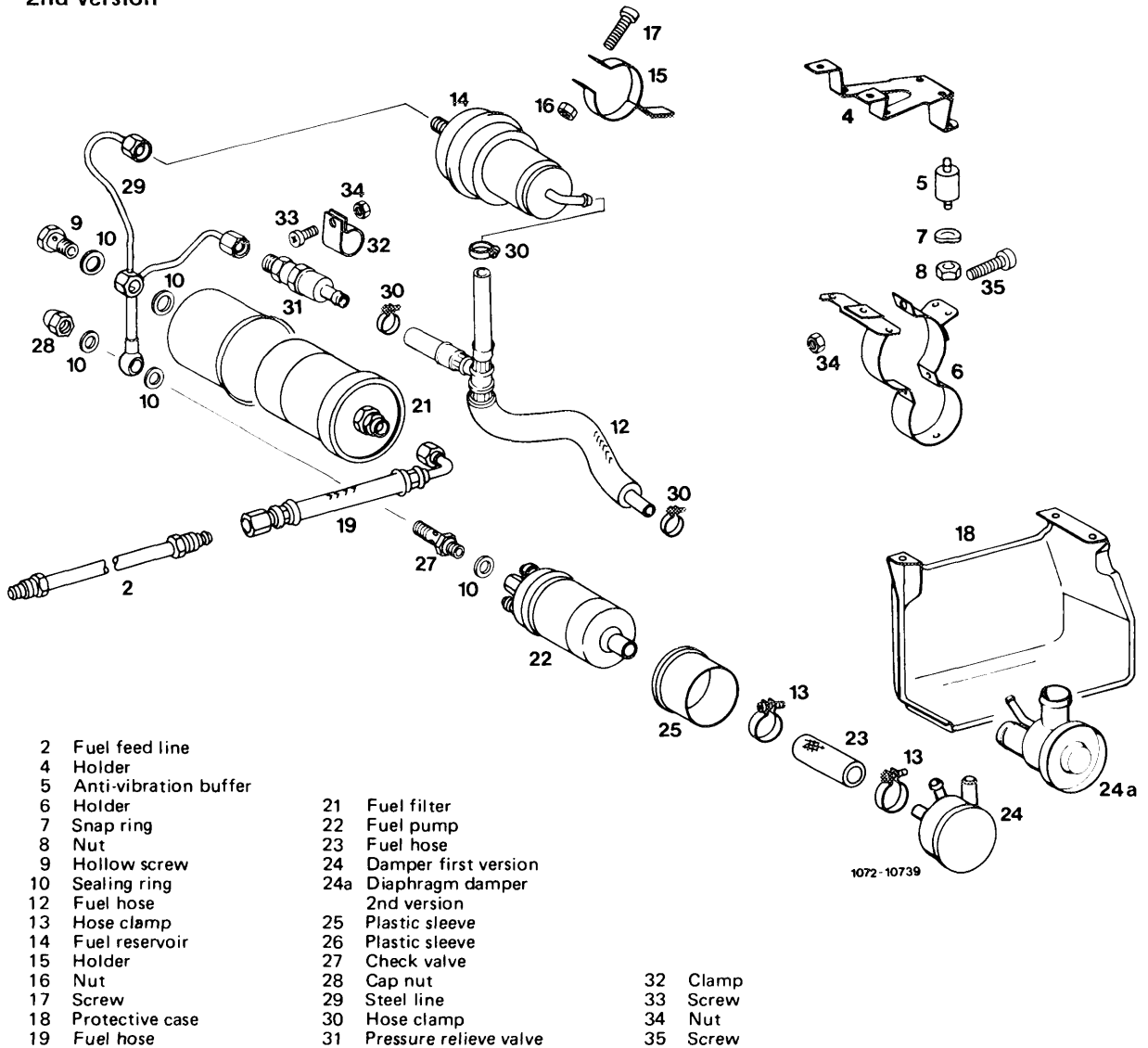


1st version

- 2 Fuel feed line
- 4 Holder
- 5 Anti-vibration buffer
- 6 Holder
- 7 Snap ring
- 8 Nut
- 9 Hollow screw
- 10 Sealing ring
- 11 Fuel hose
- 12 Fuel hose
- 13 Hose clamp
- 14 Fuel reservoir
- 15 Holder
- 16 Nut
- 17 Screw
- 18 Protective case
- 19 Fuel hose
- 20 Fuel hose
- 21 Fuel filter
- 22 Fuel pump
- 23 Fuel hose
- 24 Damper

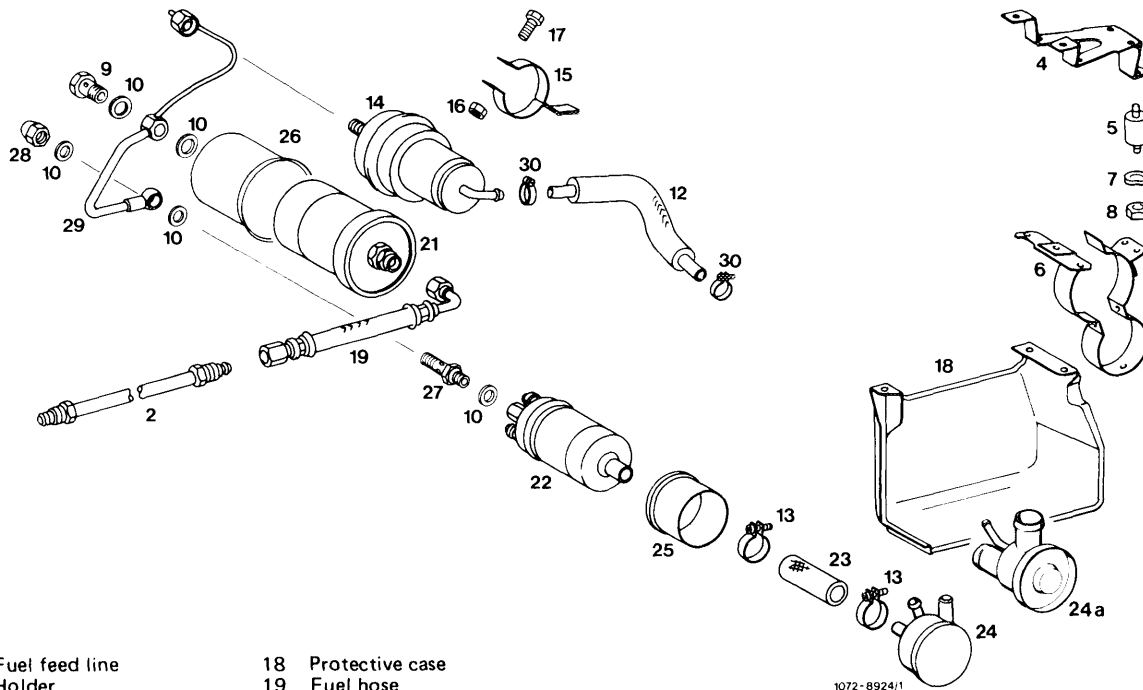


2nd version



- | | | |
|-------------------------|---------------------------|----------|
| 2 Fuel feed line | 21 Fuel filter | |
| 4 Holder | 22 Fuel pump | |
| 5 Anti-vibration buffer | 23 Fuel hose | |
| 6 Holder | 24 Damper first version | |
| 7 Snap ring | 24a Diaphragm damper | |
| 8 Nut | 25 Plastic sleeve | |
| 9 Hollow screw | 26 Plastic sleeve | |
| 10 Sealing ring | 27 Check valve | |
| 12 Fuel hose | 28 Cap nut | |
| 13 Hose clamp | 29 Steel line | |
| 14 Fuel reservoir | 30 Hose clamp | |
| 15 Holder | 31 Pressure relieve valve | |
| 16 Nut | | 32 Clamp |
| 17 Screw | | 33 Screw |
| 18 Protective case | | 34 Nut |
| 19 Fuel hose | | 35 Screw |

3rd version



- | | | | |
|----|-----------------------|-----|------------------------------|
| 2 | Fuel feed line | 18 | Protective case |
| 4 | Holder | 19 | Fuel hose |
| 5 | Anti-vibration buffer | 21 | Fuel filter |
| 6 | Holder | 22 | Fuel pump |
| 7 | Snap ring | 23 | Fuel hose |
| 8 | Nut | 24 | Damper 1st version |
| 9 | Hollow screw | 24a | Diaphragm damper 2nd version |
| 10 | Sealing ring | 25 | Plastic sleeve |
| 12 | Fuel hose | 26 | Plastic sleeve |
| 13 | Hose clamp | 27 | Check valve |
| 14 | Fuel reservoir | 28 | Cap nut |
| 15 | Holder | 29 | Steel line |
| 16 | Nut | 30 | Hose clamp |
| 17 | Screw | | |

1072 - 8924/1