

Special tool

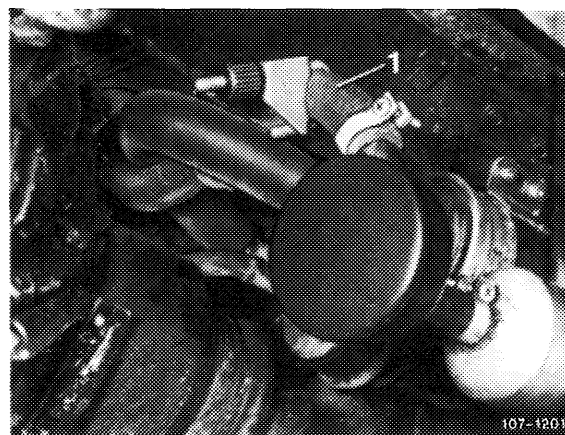
Clamp for fuel hose



000 589 40 37 00

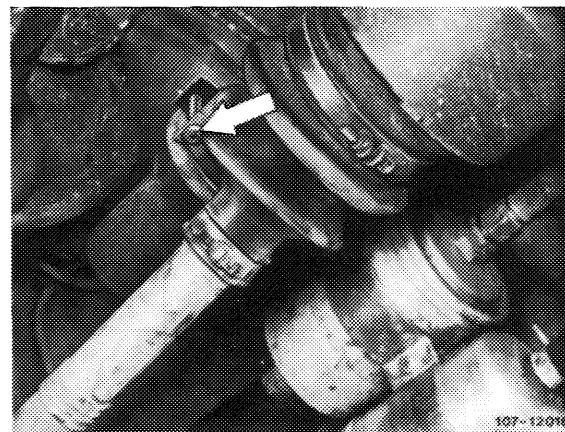
Removal

- 1 Unscrew protective case.
- 2 Pinch fuel intake hose (arrow) with a clamp.

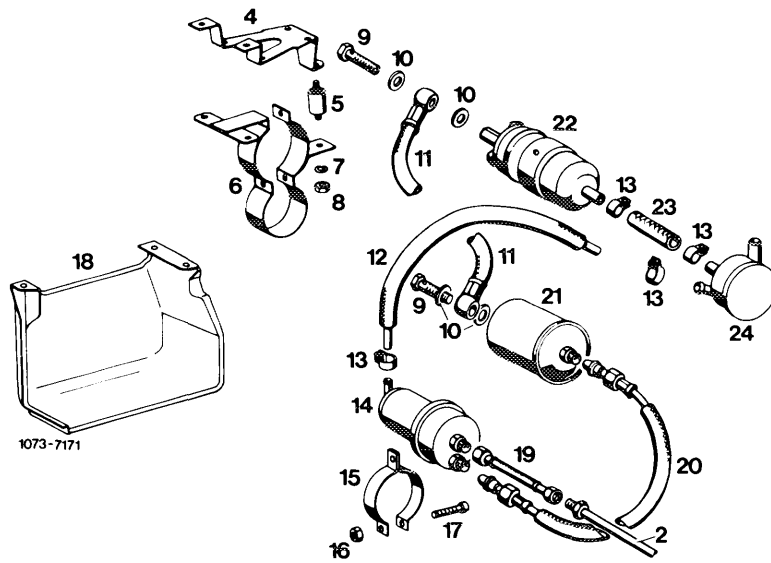


1st version

- 3 Pinch fuel feed hose.
- 4 Unscrew both fuel hoses on fuel reservoir, also pinch leak hose, loosen and pull off.
- 5 Loosen fastening screws (arrow) for clamp and remove fuel reservoir.
- 6 For installation proceed vice versa. Pay attention to correct connection of fuel hoses, fasten fuel feed hose to center connection of fuel reservoir.



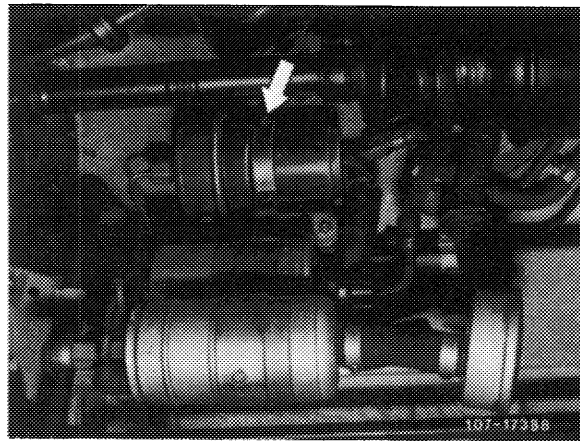
- 2 Fuel feed line
- 4 Mounting bracket
- 5 Anti-vibration buffer
- 6 Holder
- 7 Snap ring
- 8 Nut
- 9 Hollow screw
- 10 Sealing ring
- 11 Fuel hose
- 12 Fuel hose
- 13 Hose clamp
- 14 Fuel reservoir
- 15 Holder
- 16 Nut
- 17 Screw
- 18 Protective case
- 19 Fuel hose
- 20 Fuel hose
- 21 Fuel filter
- 22 Fuel pump
- 23 Fuel hose
- 24 Damper



2nd version

7 Unscrew fuel line on fuel reservoir, also pinch leak hose, loosen and pull off.

8 Loosen fastening screw (arrow) for clamp and remove fuel reservoir.



Installation

9 For installation proceed vice versa.

10 Remove clamp on fuel suction hose.

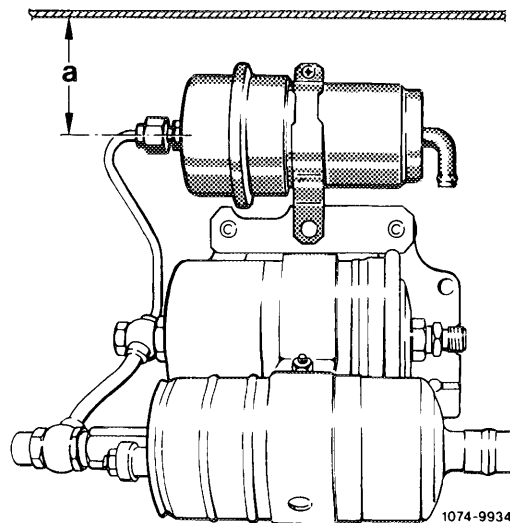
11 Run engine and check for leaks.

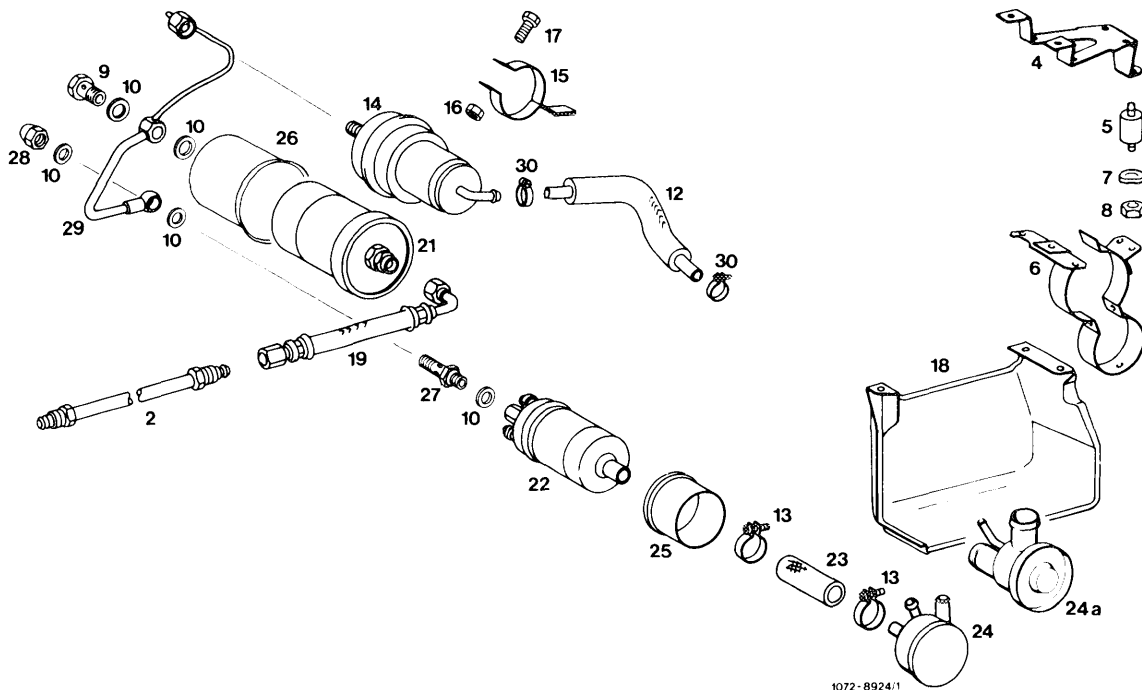
12 Mount protective case.

Note: On model 126, measure distance between fuel reservoir and body floor as shown in Fig.

Nominal dimension = 62 mm.

If required, push fuel reservoir in upward direction. For this purpose, apply manual counterhold against fuel pump.





- | | | | |
|----|-----------------------|-----|------------------------------|
| 2 | Fuel feed line | 18 | Protective case |
| 4 | Mounting bracket | 19 | Fuel hose |
| 5 | Anti-vibration buffer | 21 | Fuel filter |
| 6 | Holder | 22 | Fuel pump |
| 7 | Snap ring | 23 | Fuel hose |
| 8 | Nut | 24 | Damper 1st version |
| 9 | Hollow screw | 24a | Diaphragm damper 2nd version |
| 10 | Sealing ring | 25 | Plastic sleeve |
| 12 | Fuel hose | 26 | Plastic sleeve |
| 13 | Hose clamp | 27 | Check valve |
| 14 | Fuel reservoir | 28 | Cap nut |
| 15 | Holder | 29 | Steel line |
| 16 | Nut | 30 | Hose clamp |
| 17 | Screw | | |