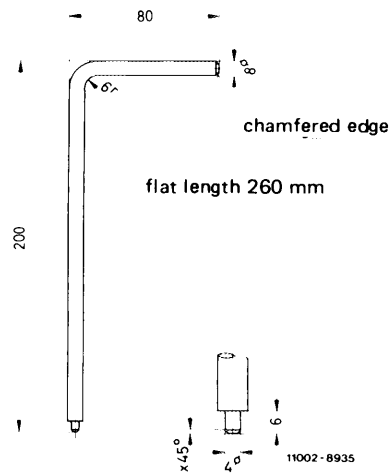


Self-made tool

Remover for accelerator pedal

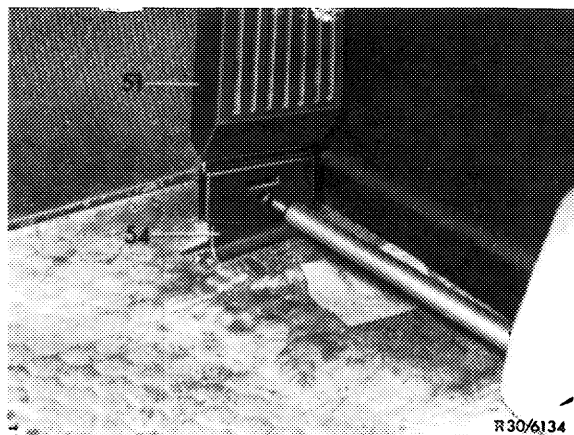


Version 1

Removal

1 Remove accelerator pedal (51) from bearing plate (54). For this purpose, disengage clip from bearing plate by means of remover. **Be sure to use remover**, so that clip (53) is not damaged or excessively stretched.

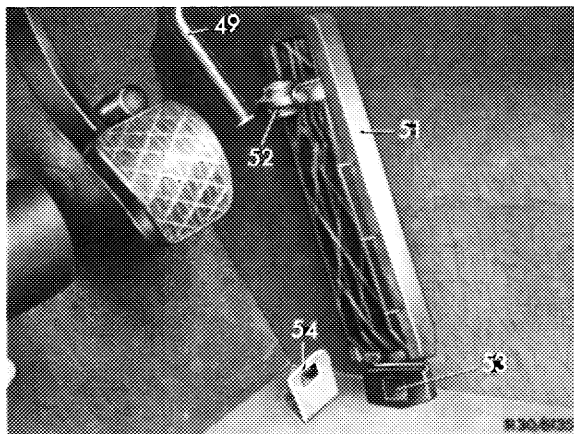
Fastening accelerator pedal with push-type clip



2 Pull off accelerator pedal (51) in upward direction and out of accelerator lever (49).

Installation

3 Slip accelerator pedal (51) with joint (52) into accelerator lever (49) and push tightly on bearing plate so that clip (53) is reliably engaging.

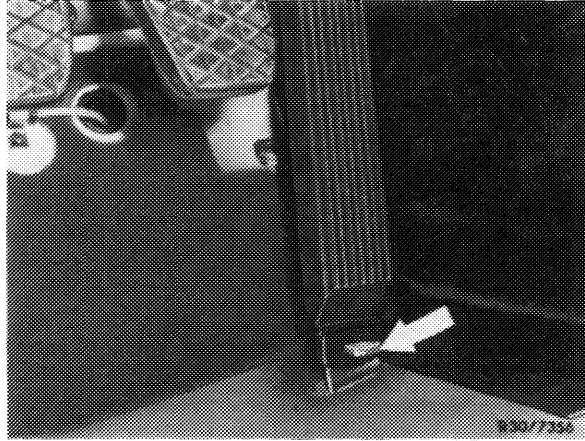


Version 2

Removal

- 1 Compress clip (arrow) behind accelerator pedal and pull out.

Fastening accelerator pedal with spreader-type clip



Installation

- 2 During installation, make sure that clip is reliably engaging.