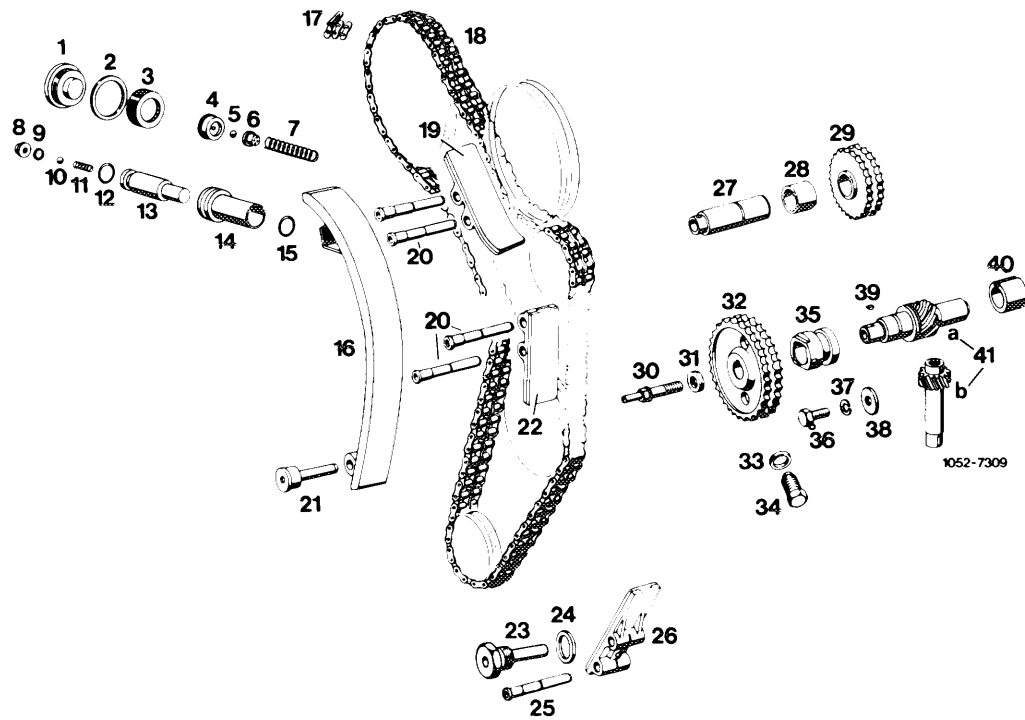


05-490 Illustrated table of chain tensioner, timing chain and drive gears



- | | |
|-------------------------------------|----------------------------------|
| 1 Plug | 21 Tensioning rail bearing pin |
| 2 Seal A 30 x 36 | 22 Sliding rail in cylinder head |
| 3 Threaded ring | 23 Bearing pin with plug |
| 4 Ball locating ring (oil jet) | 24 Seal A 20 x 24 |
| 5 Ball 5 mm dia. (version 1 only) | 25 Bearing pin |
| 6 Ball cage (version 1 only) | 26 Sliding rail in crankcase |
| 7 Spring | 27 Guide wheel bearing journal |
| 8 Valve disc (version 1 only) | 28 Bushing |
| 9 O-ring (version 1 only) | 29 Guide wheel with bushing |
| 10 Ball 5 mm dia. (version 1 only) | 30 Bolt with oil tube |
| 11 Spring (version 1 only) | 31 Intermediate wheel washer |
| 12 Snap ring | 32 Intermediate wheel |
| 13 Pressure pin | 33 Seal A 12 x 17 |
| 14 Chain tensioner housing | 34 Chain drive lock screw |
| 15 Circlip | 35 Front bearing bushing |
| 16 Tensioning rail | 36 Screw M 6 x 12 |
| 17 Connecting link | 37 Circlip B 6 |
| 18 Timing chain | 38 Washer |
| 19 Sliding rail in camshaft housing | 39 Woodruff key 3 x 3.7 |
| 20 4 bearing pins for sliding rails | 40 Rear bearing bushing |
| | 41 |
| | a Intermediate wheel shaft |
| | b Helical gear wheel |