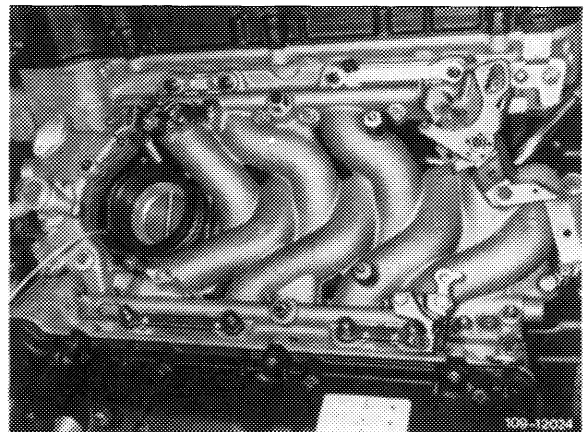
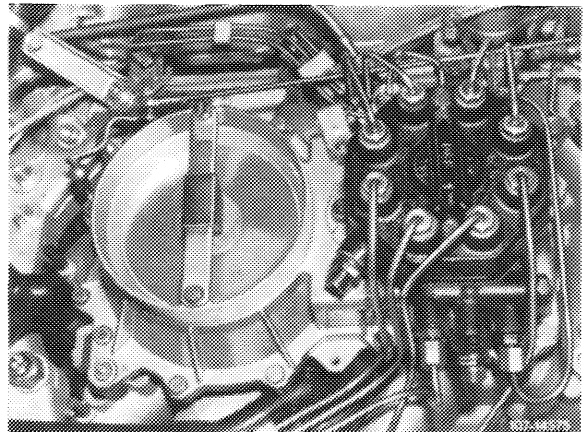


Note

During removal and installation of intake manifold the mixture regulator with air guide housing need not be removed.

Removal

- 1 Disconnect battery.
- 2 Partially drain coolant.
- 3 Unscrew injection lines and fuel lines. Catch fuel with a cloth.
Deactivate fuel lines.
- 4 Pull off supplementary air lines.
- 5 Remove control pressure rod for automatic transmission.
- 6 Unscrew bearing bracket for gate regulation.
- 7 Unscrew bearing bracket for longitudinal regulating shaft.
- 8 Pull off all connecting cables and plug connections.
- 9 Unscrew vacuum line for automatic transmission and for brake unit.
- 10 Unscrew idle speed air distributor.
- 11 Loosen coolant hoses and pull off.
- 12 Unscrew all fastening screws and remove intake pipe toward the rear.
- 13 Clean intake manifold and check flange surfaces with straightedge or touch up on surface plate.



Installation

14 Mount intake manifold with new gaskets in vice versa sequence.

Use only graphited intake manifold gaskets.
Do not install non-graphited intake manifold gaskets similar to engine 117.96 (5.0).

15 Adjust regulating linkage (30–300).

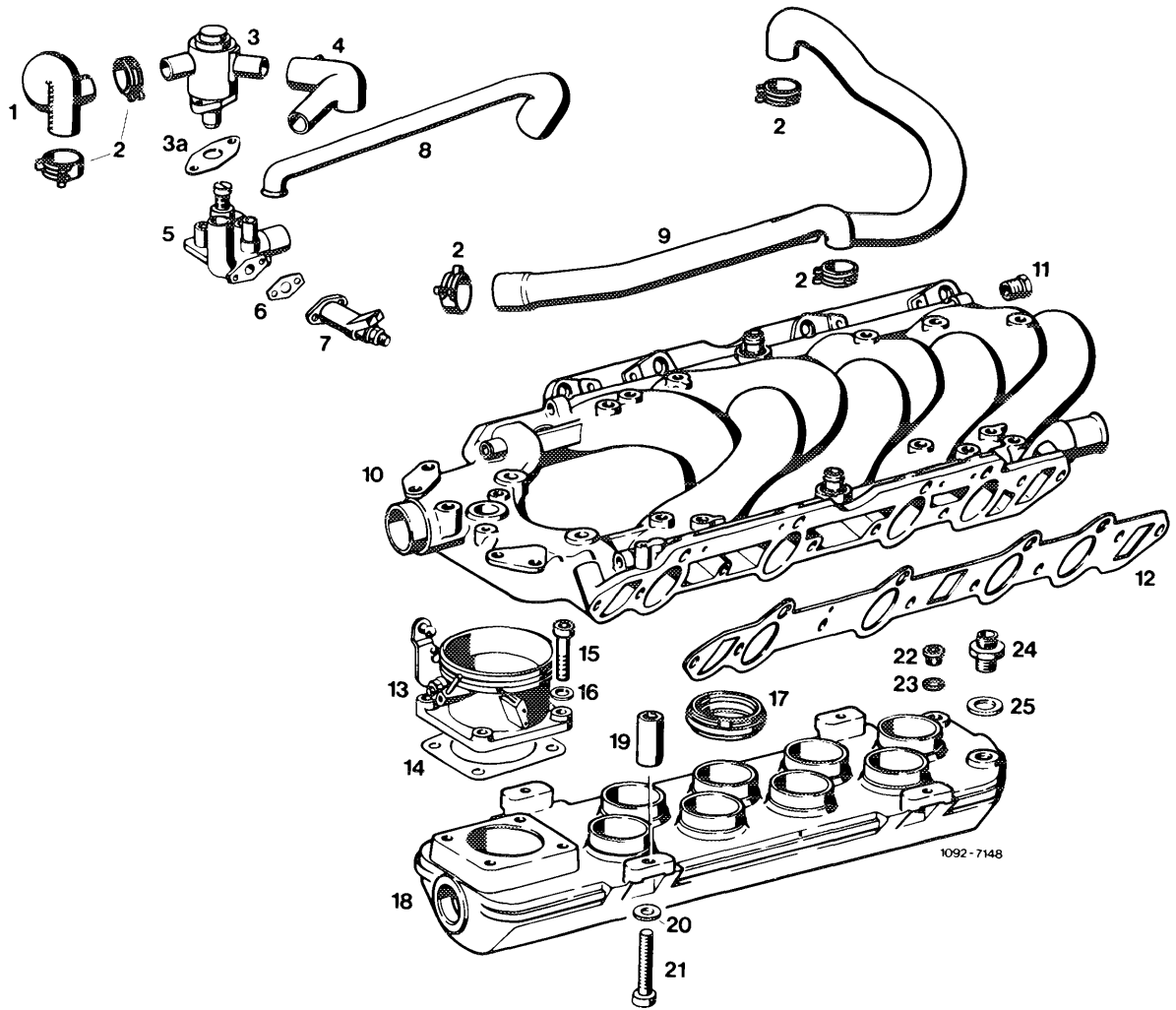
16 Connect battery.

17 Add coolant.

18 Keep engine running, check fuel lines for leaks. Check intake system, fuel distributor and injection valves by spraying with Iso-Oktan or benzine for leaks.

19 Adjust idle speed (07.3–100).

Intake manifold



- | | | | | | |
|----|----------------------------|----|----------------------------|----|--------------------------|
| 1 | Contoured hose | 10 | Intake manifold upper half | 20 | Washer |
| 2 | Coiled hose clips | 11 | Closing plug | 21 | Hex. socket screw |
| 3 | Supplementary air valve | 12 | Gasket | 22 | Closing plug |
| 3a | Gasket | 13 | Throttle valve housing | 23 | Sealing ring |
| 4 | Contoured hose | 14 | Gasket | 24 | Double thread connection |
| 5 | Idle speed air distributor | 15 | Hex. socket screw | 25 | Sealing ring |
| 6 | Gasket | 16 | Washer | | |
| 7 | Cold-starting valve | 17 | Rubber connection | | |
| 8 | Contoured hose | 18 | Intake manifold lower half | | |
| 9 | Supplementary air line | 19 | Spacing sleeve | | |