

14-100 Test program

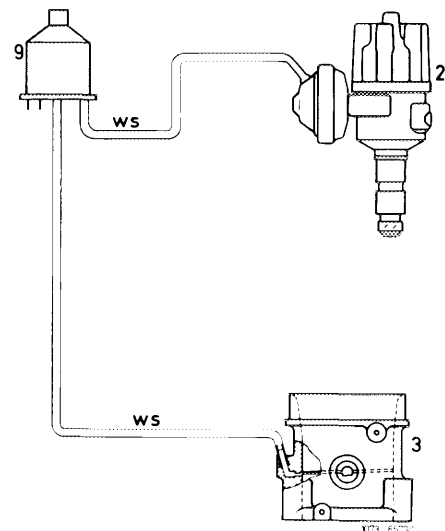
Federal version model year 1974

For complaints such as: Poor warming-up characteristics of engine, poor idle speed, engine not accelerating or splashing during acceleration, check emission control system for function.

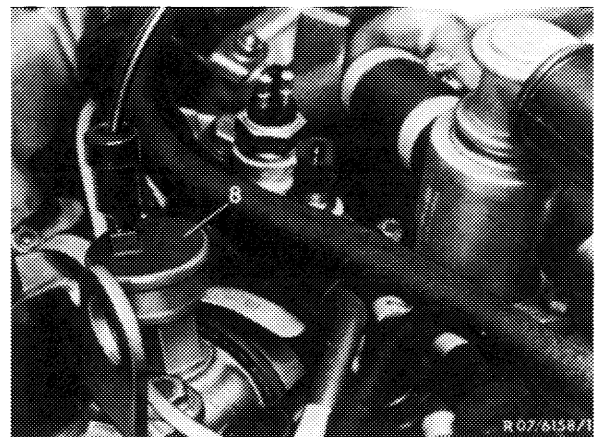
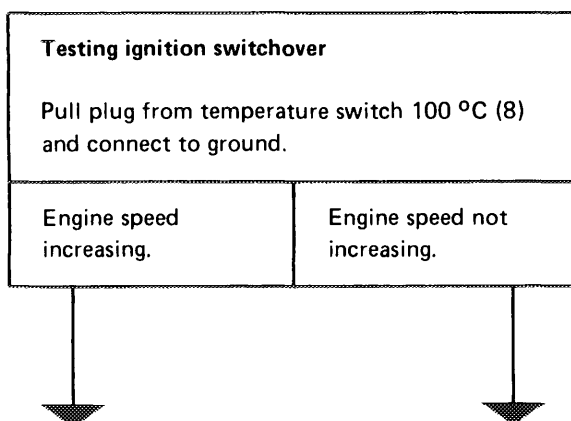
Test conditions: All fuses in order, engine at operating temperature, run engine at idle speed.

Test the following: Ignition switchover.

Function diagram



- 2 Ignition distributor
- 3 Throttle valve housing
- 9 Switchover valve

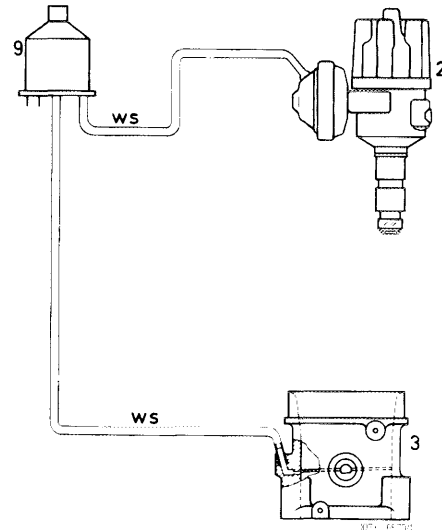


Testing vacuum lines

The vacuum line from throttle valve housing (3) leads to center connection of switchover valve (9), that of vacuum control unit of ignition distributor (2) to outer connection of switchover valve (9).

Checking vacuum

Pull vacuum line from center connection of switchover valve (9) and keep closed with finger. If vacuum is evident, plug vacuum line in again. If no vacuum is evident, blow out vacuum draw-off connection on throttle valve housing with compressed air.

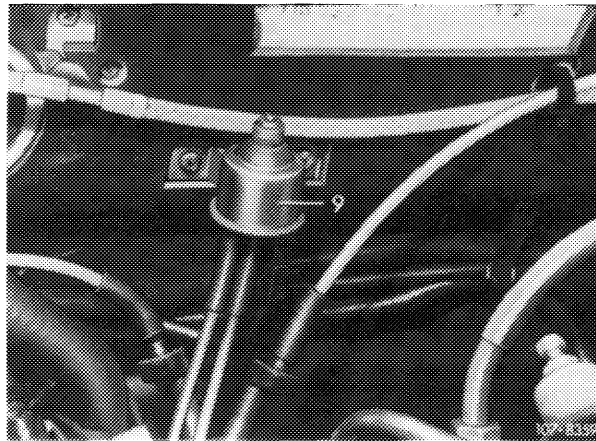


Testing relay (code number 5) for switchover valve

Connect test lamp to connecting plug of switchover valve (9) and plug of temperature switch (8) to ground. Relay is in order if test lamp lights up.

Replace switchover valve (9).

If test lamp is not lighting up, replace relay.



End of test.

