

05-434 Removal and installation of intermediate sprocket ignition distributor drive

Tightening torques

Nm

Screw on crankshaft front

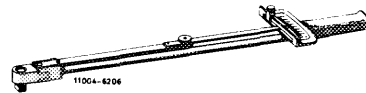
270-330

Front screw for camshaft sprocket

100

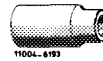
Special tools

Torque wrench single arm, 3/4" square,
150-500 Nm



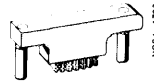
001 589 31 21 00

Socket 27 mm, 1/2" square



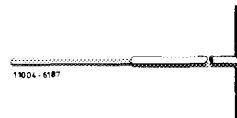
001 589 65 09 00

Detent (starter removed)



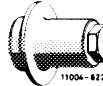
116 589 01 40 00

Screw driver with tommy handle 6 mm,
440 mm long



116 589 03 07 00

Sleeve for radial sealing ring front



110 589 07 61 00

Conventional tool

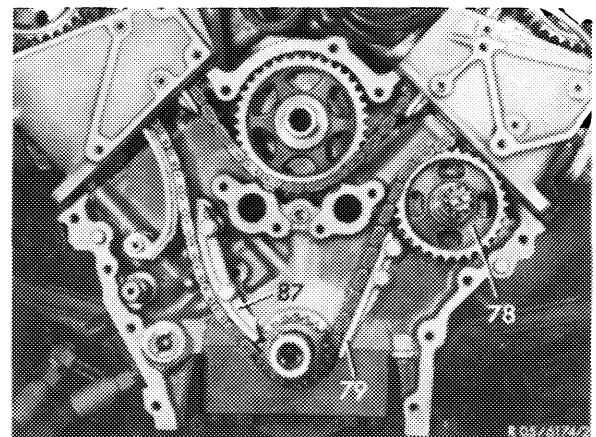
Connection 3/4" square socket to
1/2" square head

e. g. made by Hazet, D-5630 Remscheid
order No. 1058 RI

Removal

- 1 Remove timing housing cover (01-210).
- 2 Remove slide rail (87).

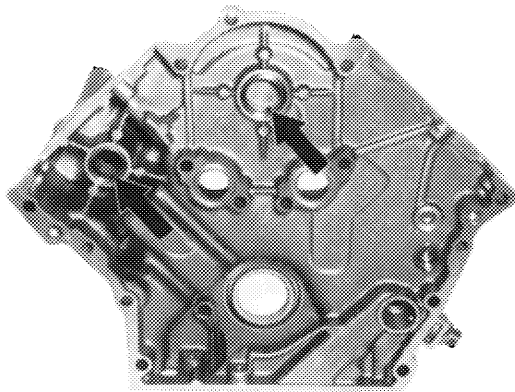
78 Intermediate sprocket for ignition
distributor drive



- 3 Slacken timing chain on intermediate sprocket by turning on lefthand camshaft.
- 4 Remove intermediate sprocket.
- 5 Pull out bearing bushing in cylinder crankcase and in timing housing cover by means of internal puller.

Installation

- 6 Press bearing bushing into cylinder crankcase and into timing housing cover so that the lubricating groove (arrow) comes to rest in downward position.
- 7 Provide bearing bushing with oil and introduce intermediate sprocket.

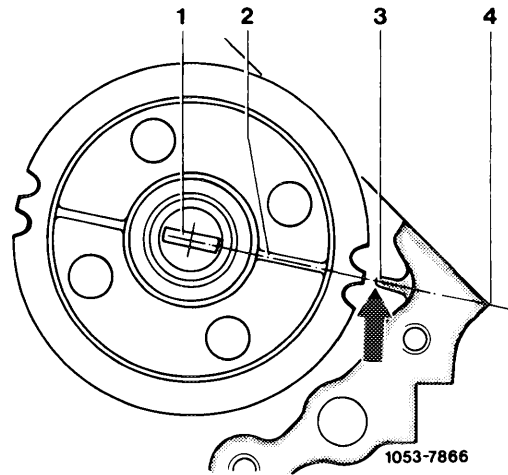


103-9559

- 8 Set crankshaft to ignition TDC.

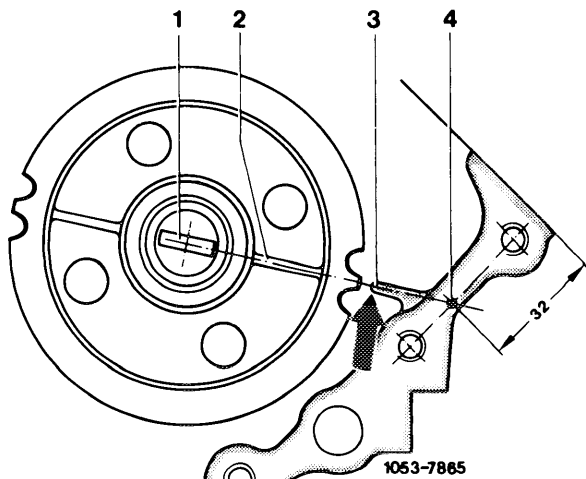
Attention!

At ignition TDC position of 1st cylinder, the intermediate sprocket should be positioned in such a manner that the applied markings on intermediate sprocket and on cylinder crankcase are in alignment (arrow).



Engine 116

- 1 Driver
- 2 Mark on intermediate sprocket
- 3 Mark on crankcase
- 4 Reference point for crankcase without mark



Engine 117

9 Check position of intermediate sprocket and correct, if required.

Marks (arrows) should be in alignment, if not, the ignition distributor on engines with breakerless controlled ignition system cannot be installed with the required adjustability.

10 For further installation proceed vice versa.