

# INDEX

## INDEX - Alphabetical Listing of Electrical Circuits

|                                    |     |  |     |
|------------------------------------|-----|--|-----|
| Automatic Antenna .....            | 127 | Lights (continued)                     |     |
| Automatic Climate Control .....    | 123 | —Instrument Cluster Illumination ..... | 116 |
| Auxiliary Fan .....                | 115 | —License .....                         | 111 |
| Charging System .....              | 107 | —Marker .....                          | 111 |
| Cigar Lighter .....                | 127 | —Park .....                            | 110 |
| Clock .....                        | 116 | —Stop .....                            | 109 |
| Component Location .....           | 201 | —Tail .....                            | 110 |
| Cruise Control .....               | 109 | —Turn Signal .....                     | 112 |
| Fuel Delivery .....                | 105 | —Trunk .....                           | 111 |
| Gauges .....                       | 116 | Power Distribution .....               | 102 |
| Ground Distribution .....          | 129 | Power Windows .....                    | 121 |
| Heated Seats .....                 | 128 | Radio .....                            | 127 |
| Horns .....                        | 120 | Rear Defogger .....                    | 126 |
| Ignition .....                     | 105 | Sliding Roof .....                     | 126 |
| Lambda Control .....               | 106 | Start .....                            | 104 |
| Lights                             |     | Tachometer .....                       | 116 |
| —Backup .....                      | 113 | Transmission Kickdown .....            | 113 |
| —Center Console Illumination ..... | 119 | Warning Indicators .....               | 116 |
| —Courtesy .....                    | 118 | Warning System .....                   | 114 |
| —Fog Lights .....                  | 108 | Wiper/Washer .....                     | 122 |
| —Glove Box .....                   | 120 |  |     |
| —Hazard .....                      | 112 |  |     |
| —Headlights .....                  | 108 |  |     |

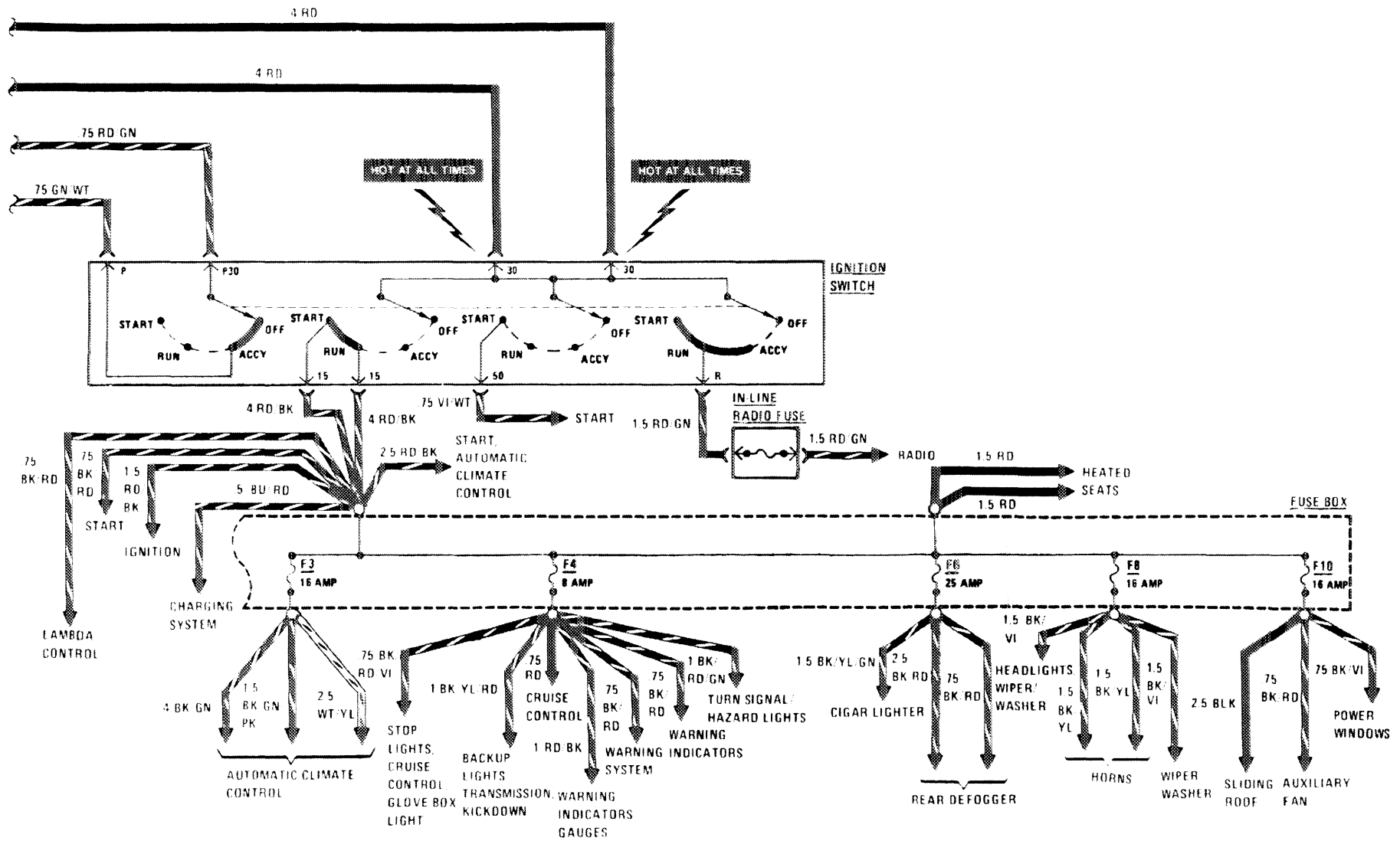
## Fuse-Circuit List

| Fuse | Rating (AMPS) | Circuits Protected                  | Page |
|------|---------------|-------------------------------------|------|
| 1    | 8(WT)         | Automatic Antenna                   | 127  |
|      |               | Courtesy Lights                     | 118  |
|      |               | Lights: Hazard                      | 112  |
|      |               | Trunk Light                         | 111  |
|      |               | Warning System                      | 114  |
| 2    | 16(PK)        | Auxiliary Fan                       | 115  |
| 3    | 16(PK)        | Automatic Climate Control           | 123  |
| 4    | 8(WT)         | Backup Lights/Transmission Kickdown | 113  |
|      |               | Lights: Turn Signal                 | 112  |
|      |               | Stoplights/Cruise Control           | 109  |
|      |               | Warning Indicators/Gauges           | 117  |
|      |               | Warning System                      | 114  |
| 5    | 8(WT)         | Center Console Illumination         | 119  |
|      |               | Instrument Cluster Illumination     | 117  |
|      |               | Lights: Marker/License              | 111  |
|      |               | Lights: Park/Tail (RH)              | 110  |
|      |               | Warning System                      | 114  |
| 6    | 25(BU)        | Cigar Lighter                       | 127  |
|      |               | Rear Defogger                       | 126  |
| 7    | 8(WT)         | Lights: Park/Tail (LH)              | 110  |
| 8    | 16(PK)        | Headlights                          | 108  |
|      |               | Horns                               | 120  |
|      |               | Wiper/Washer                        | 122  |
| 9    | 8(WT)         | Automatic Climate Control           | 124  |

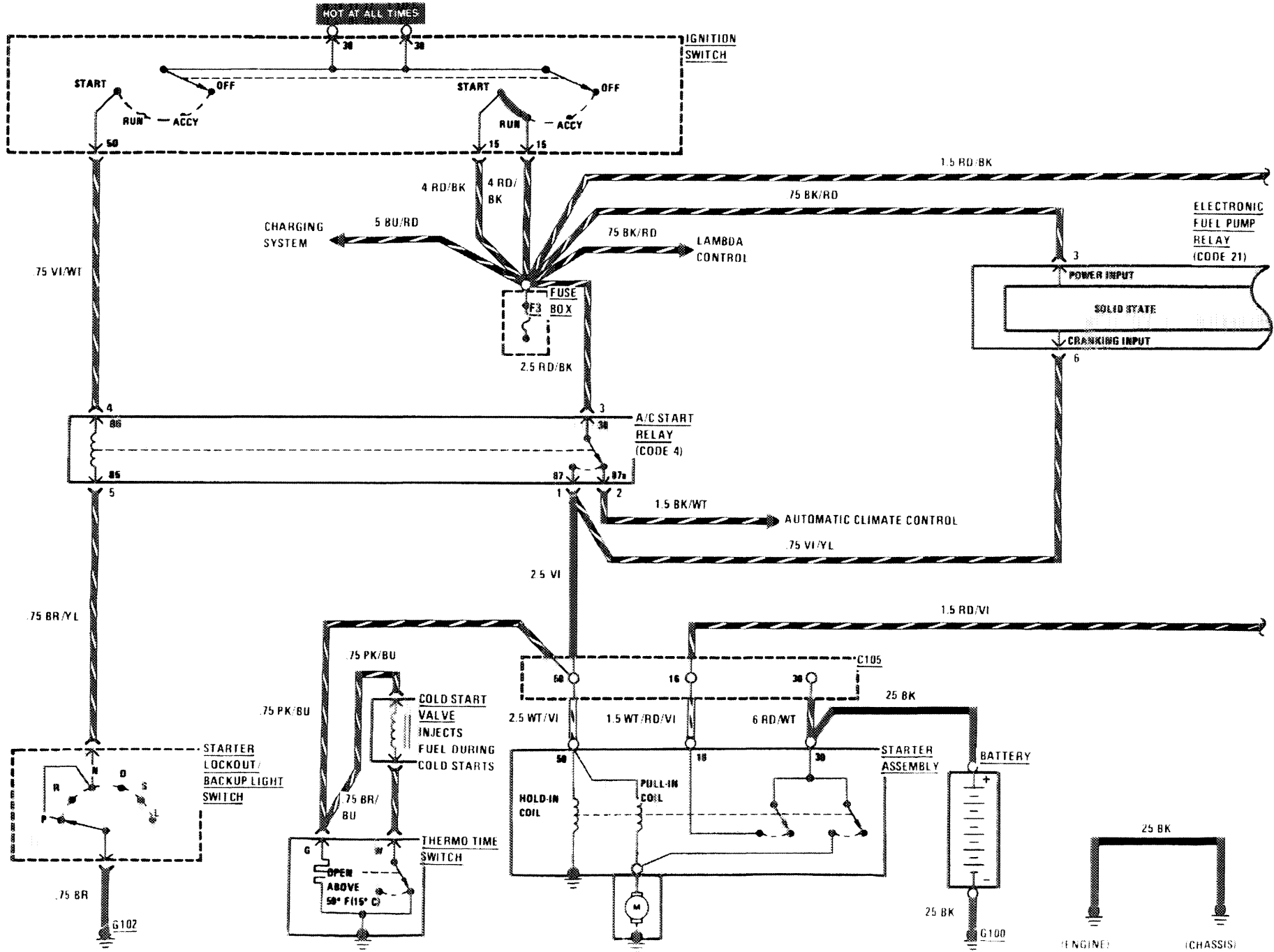
| Fuse    | Rating | Circuits Protected                 | Page |
|---------|--------|------------------------------------|------|
| 10      | 16(PK) | Auxiliary Fan                      | 115  |
|         |        | Power Windows                      | 121  |
|         |        | Sliding Roof                       | 126  |
| 11      | 8(WT)  | Headlights (LH High Beam)          | 108  |
| 12      | 8(WT)  | Headlights (RH High Beam)          | 108  |
| 13      | 16(PK) | Headlight (RH Low Beam)/Fog Lights | 108  |
| 14      | 8(WT)  | Headlight (RH Low Beam)            | 108  |
| 15      | 16(PK) | Power Windows                      | 121  |
| 16      | 16(PK) | Power Windows                      | 121  |
| In-Line | 2      | Automatic Climate Control          | 124  |
|         | 8      | Heated Seat (Front)                | 128  |
|         | 8      | Heated Seat (Rear)                 | 128  |
|         | 8      | Radio                              | 127  |



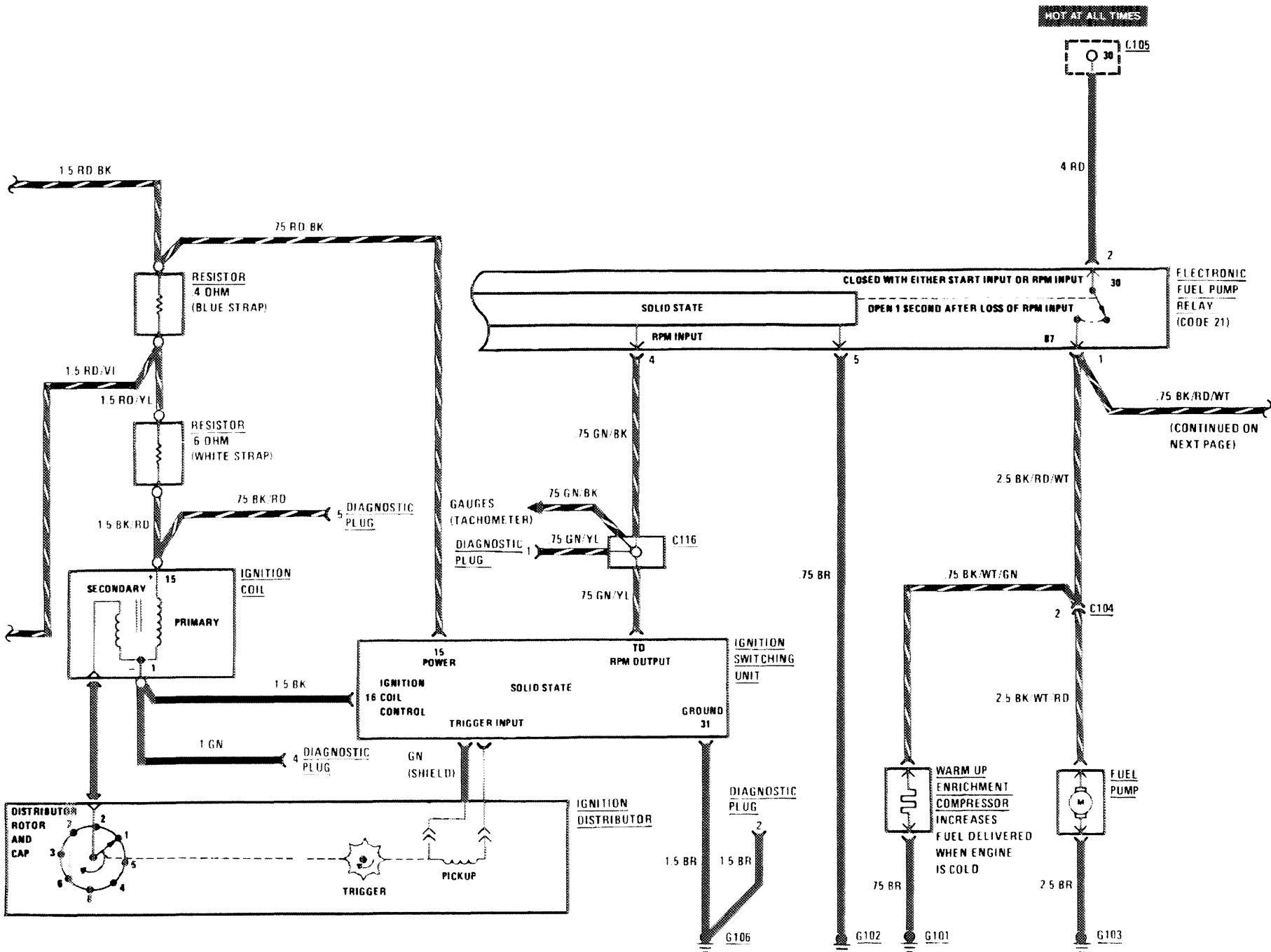
# POWER DISTRIBUTION



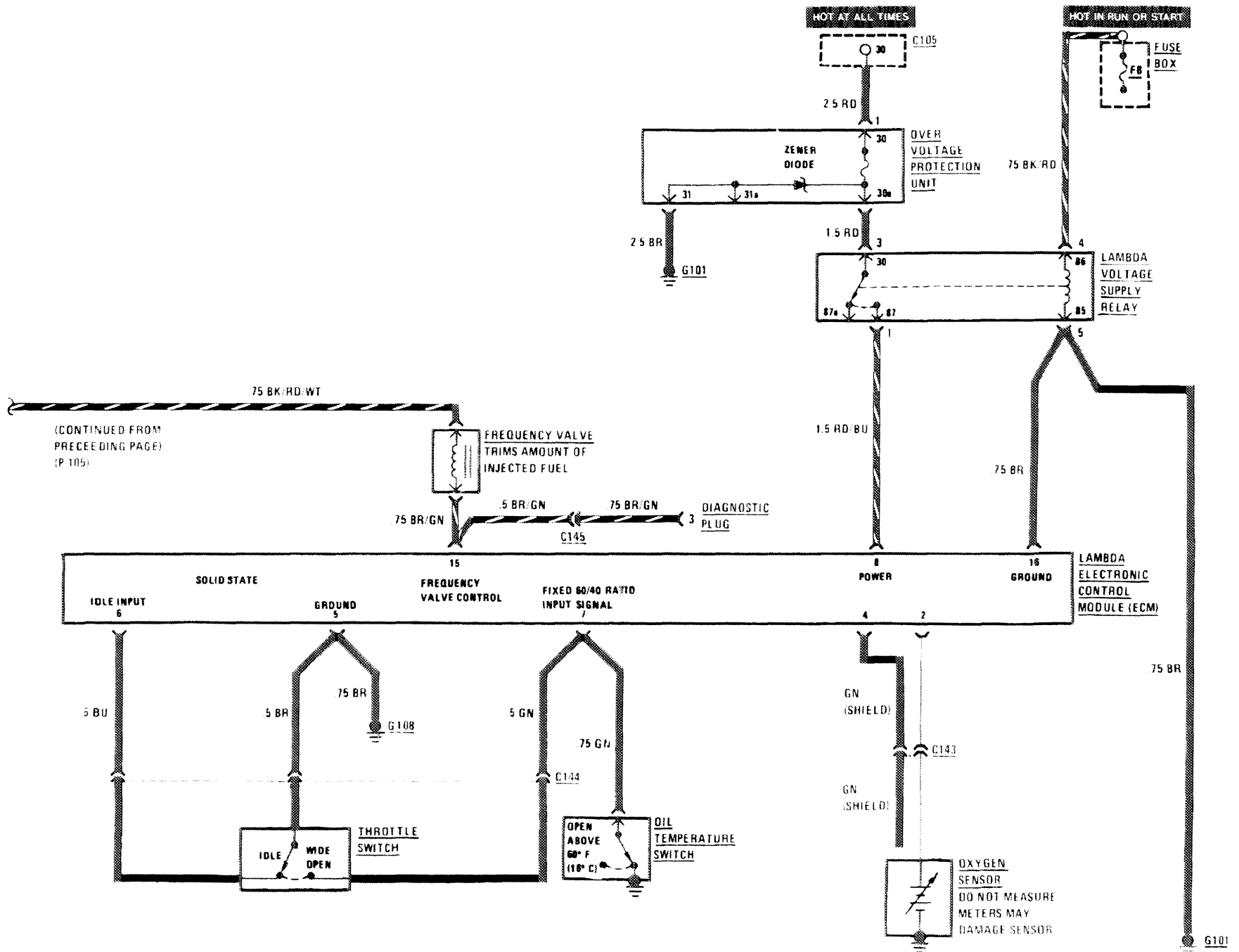
# START



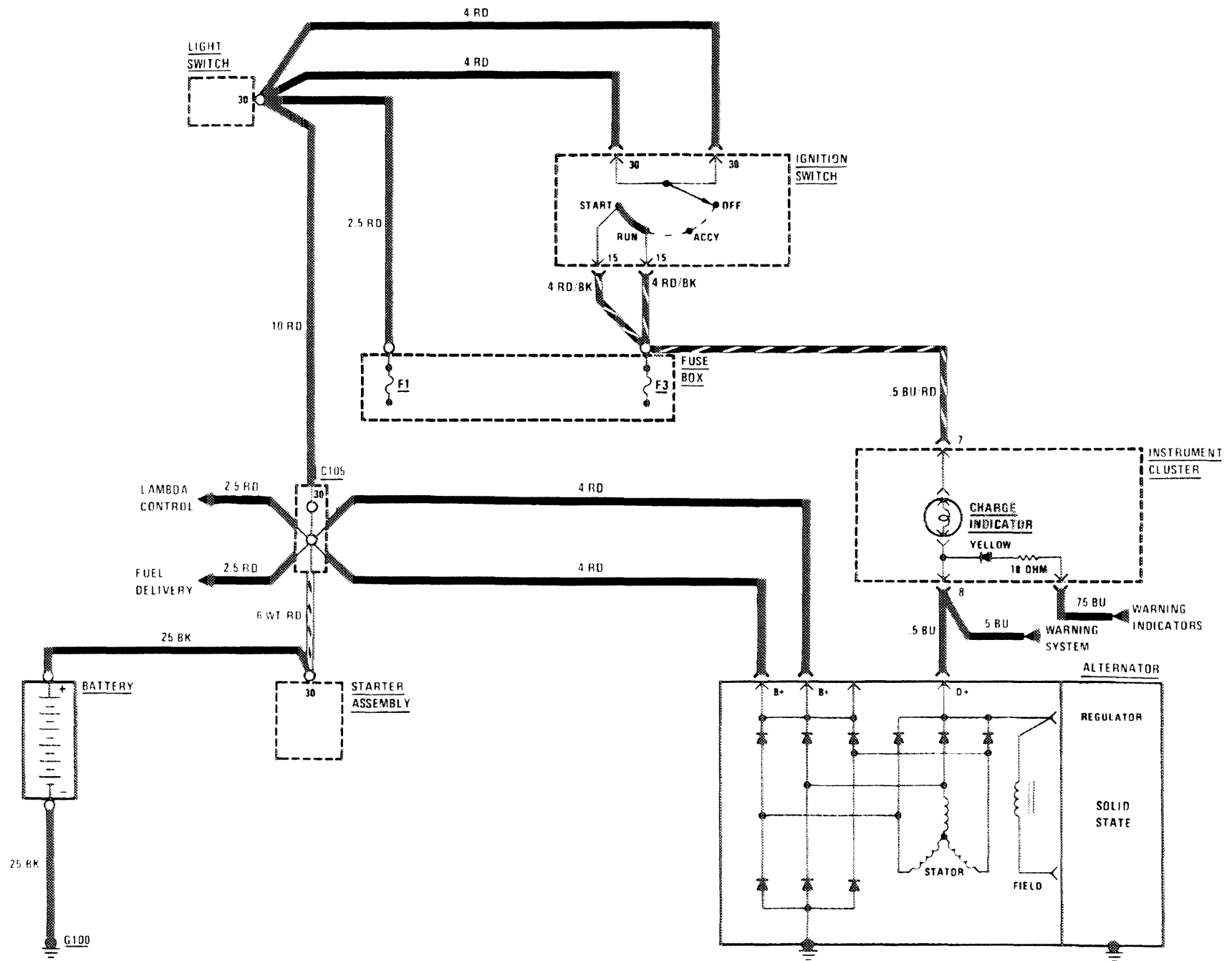
# IGNITION/FUEL DELIVERY



# LAMBDA CONTROL

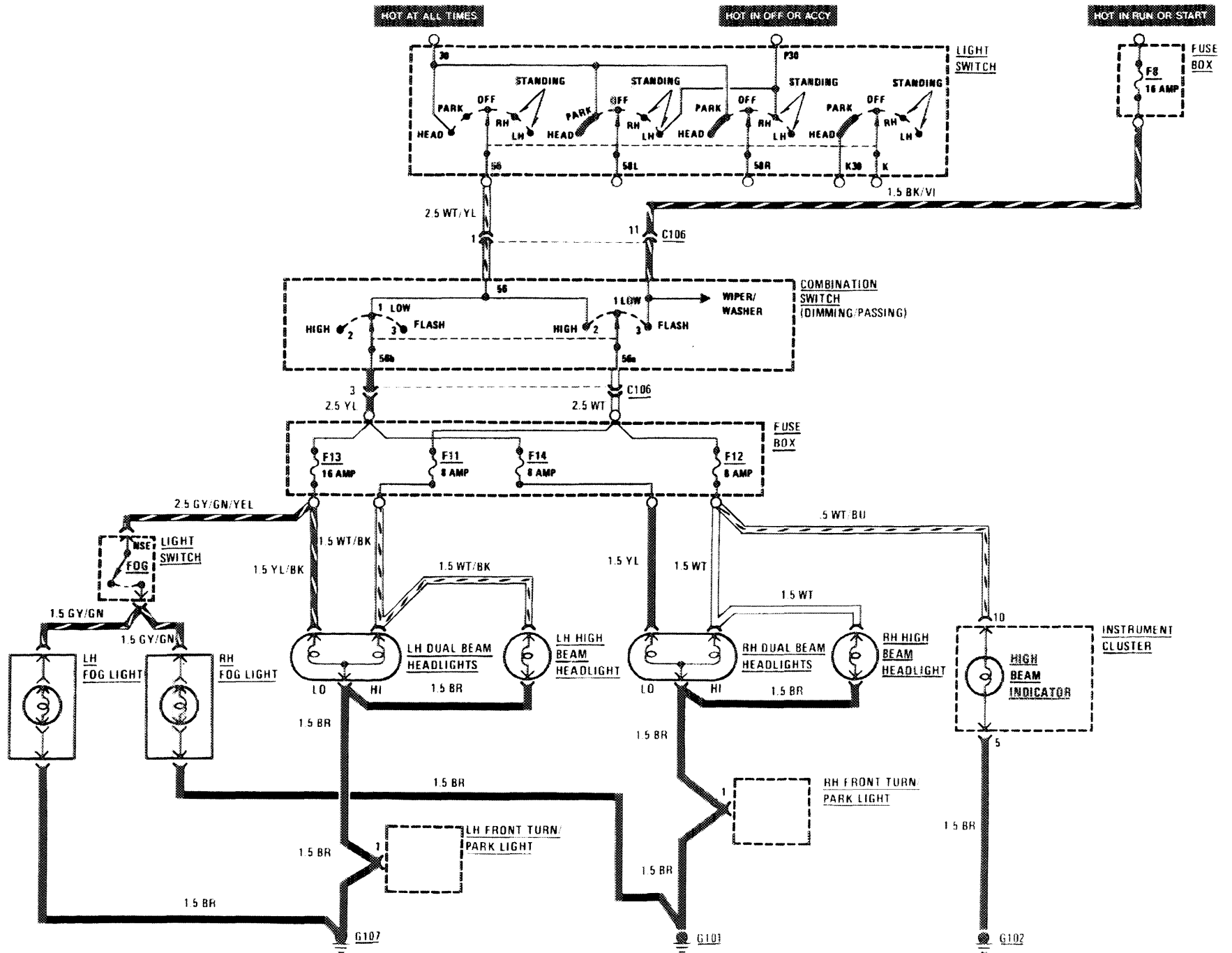


# CHARGING SYSTEM

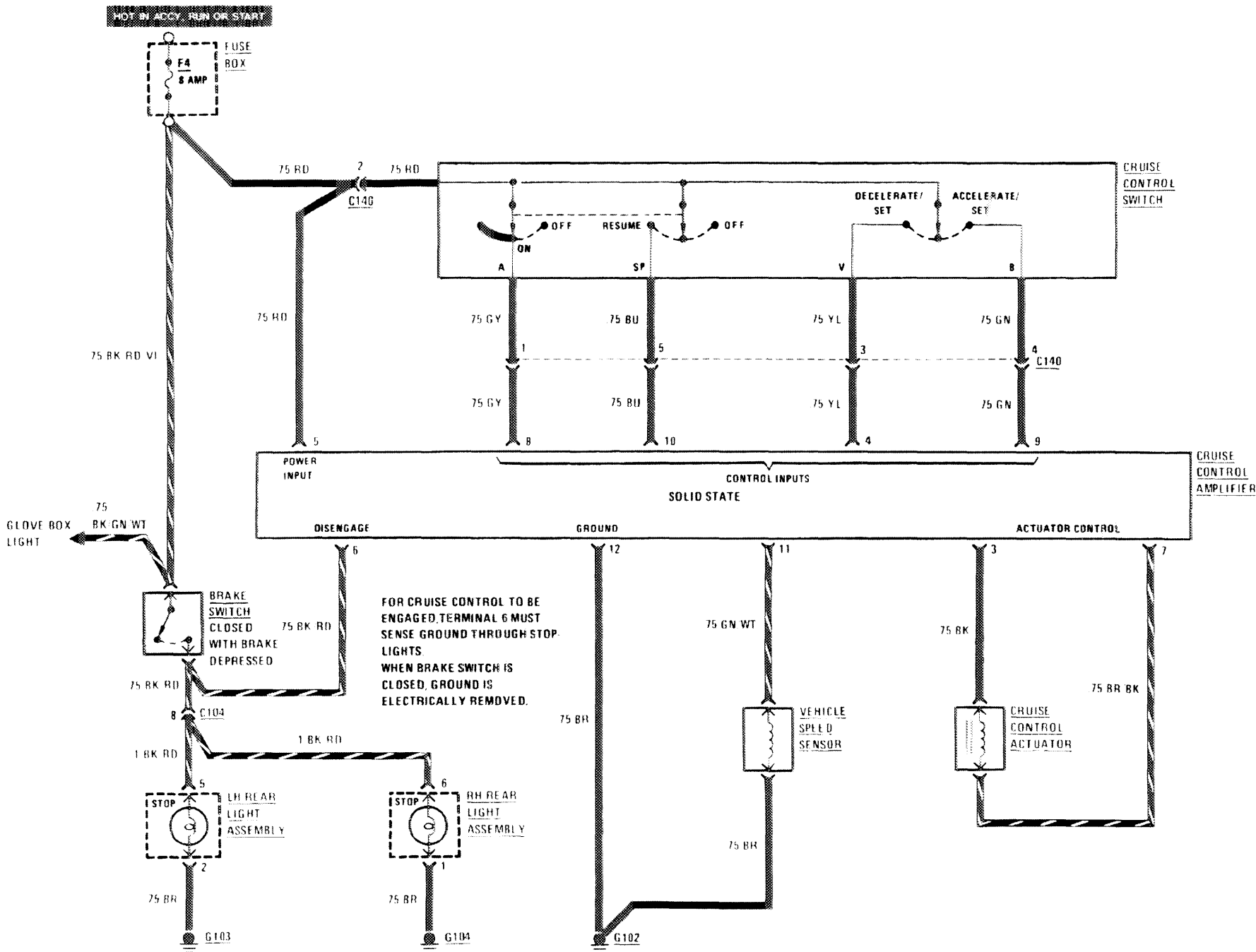




# HEADLIGHTS/FOG LIGHTS



# STOPLIGHTS/CRUISE CONTROL

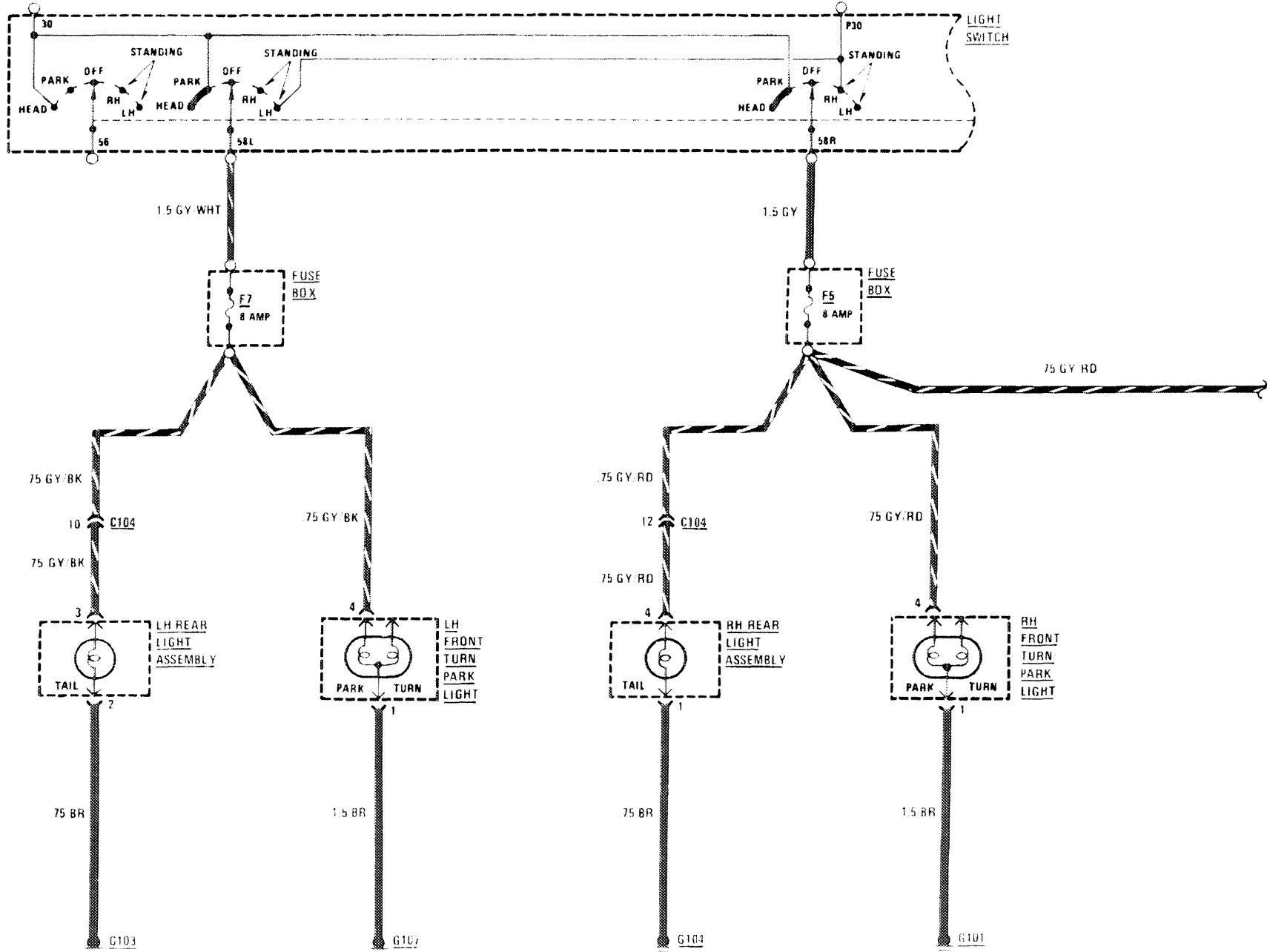


FOR CRUISE CONTROL TO BE ENGAGED, TERMINAL 6 MUST SENSE GROUND THROUGH STOP LIGHTS WHEN BRAKE SWITCH IS CLOSED, GROUND IS ELECTRICALLY REMOVED.

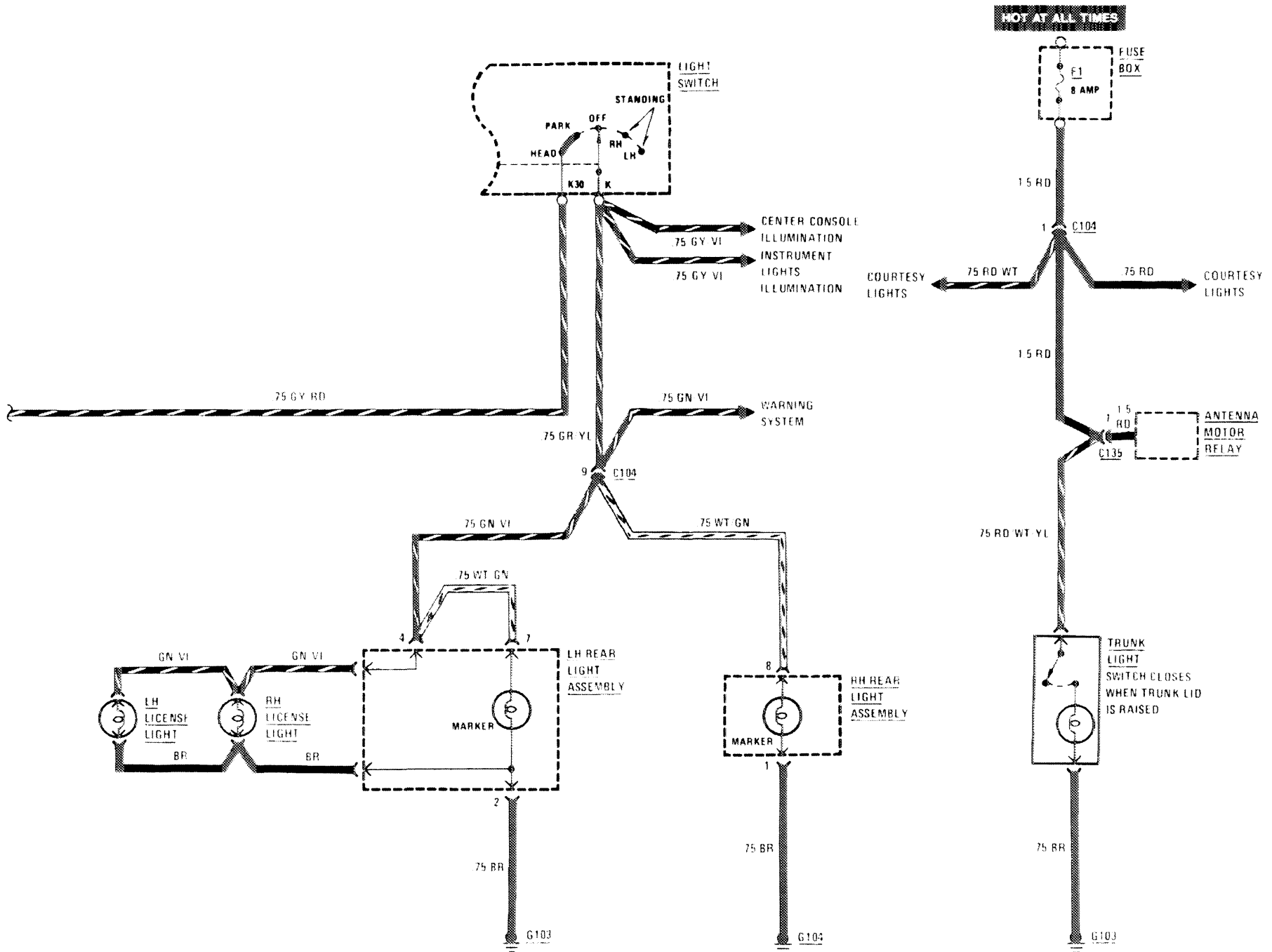
# LIGHTS: PARK/TAIL

**HOT AT ALL TIMES**

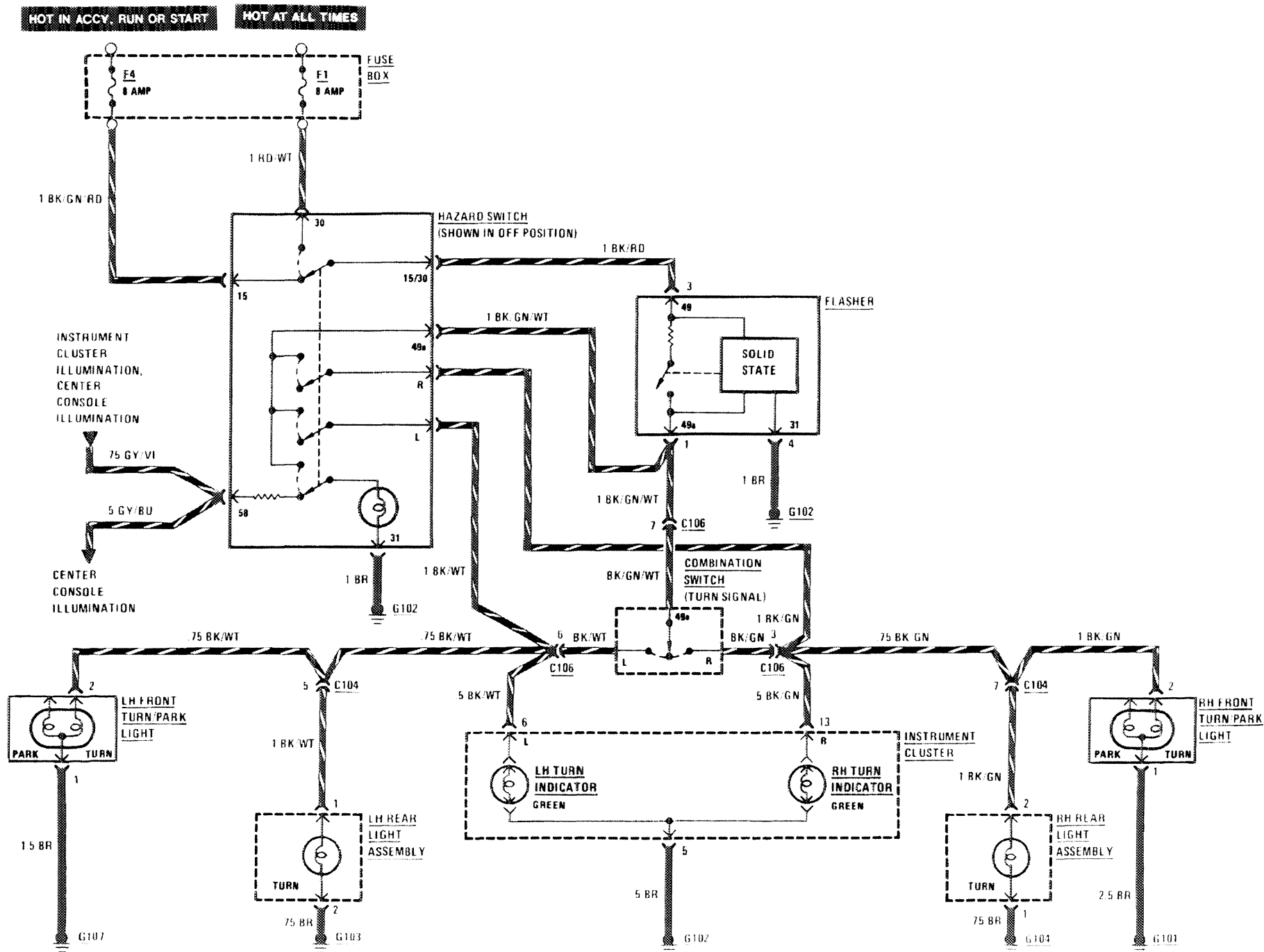
**HOT AT ALL TIMES**



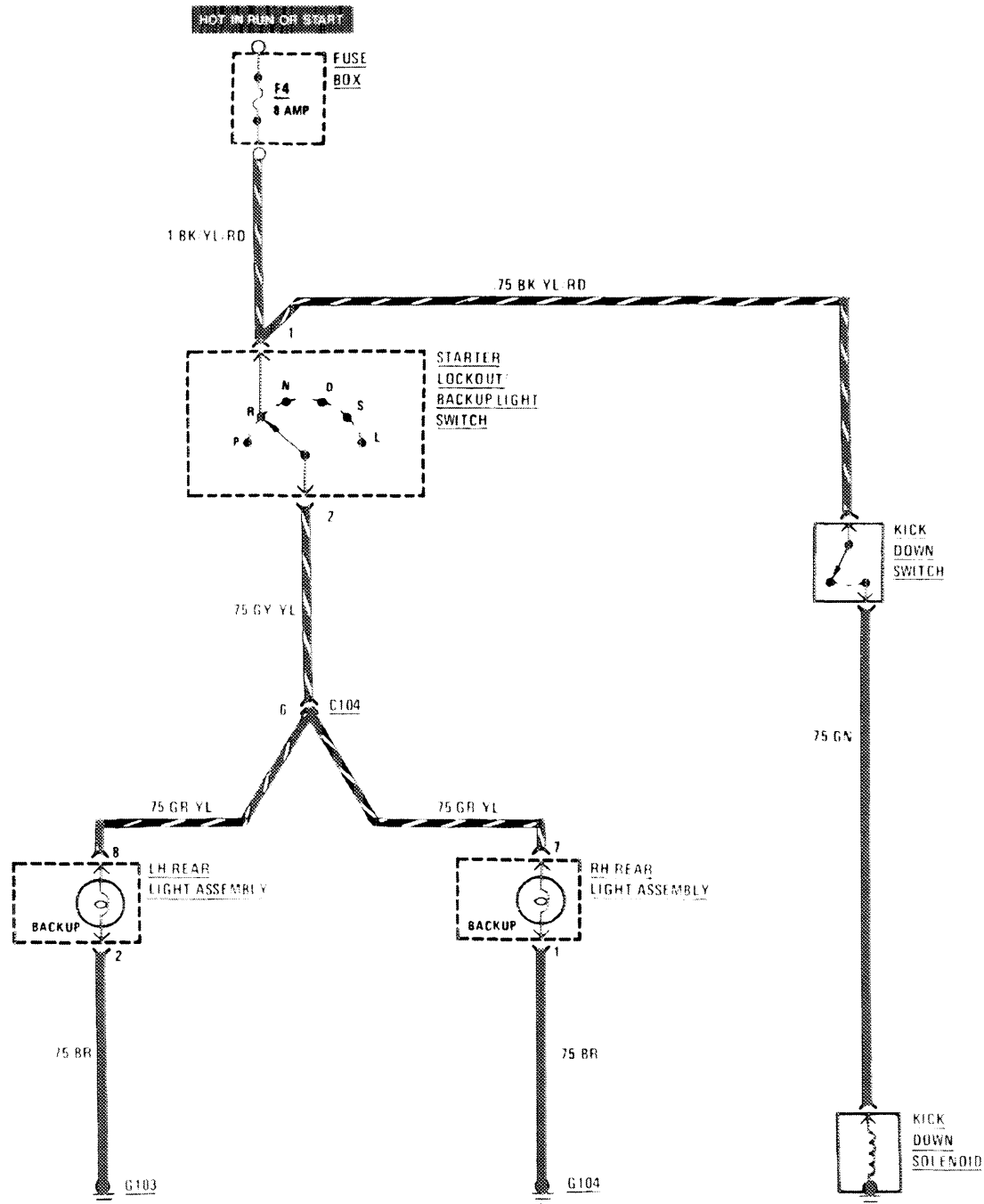
# LIGHTS: MARKER/LICENSE/TRUNK



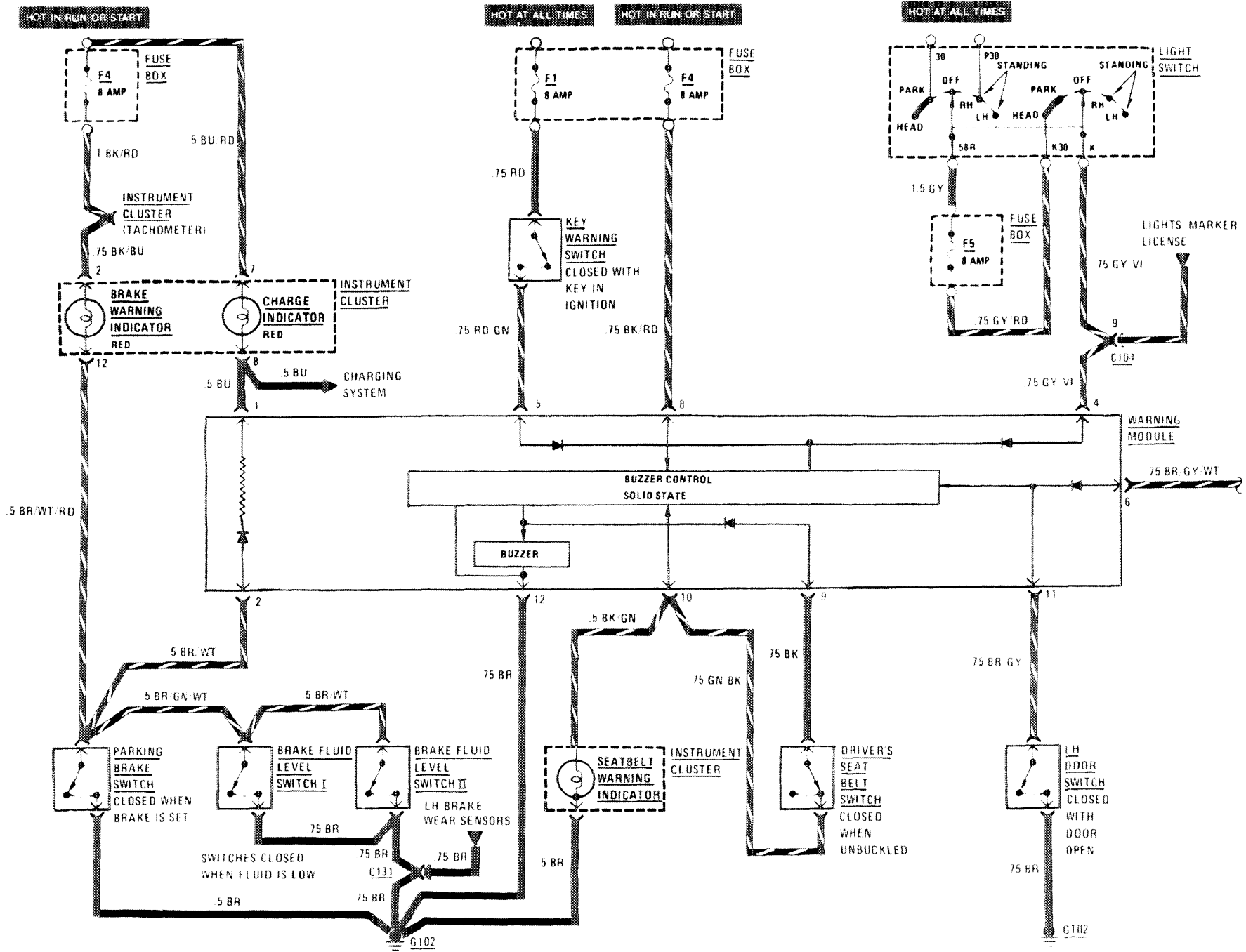
# TURN SIGNAL/HAZARD LIGHTS



# BACKUP LIGHTS/TRANSMISSION KICKDOWN



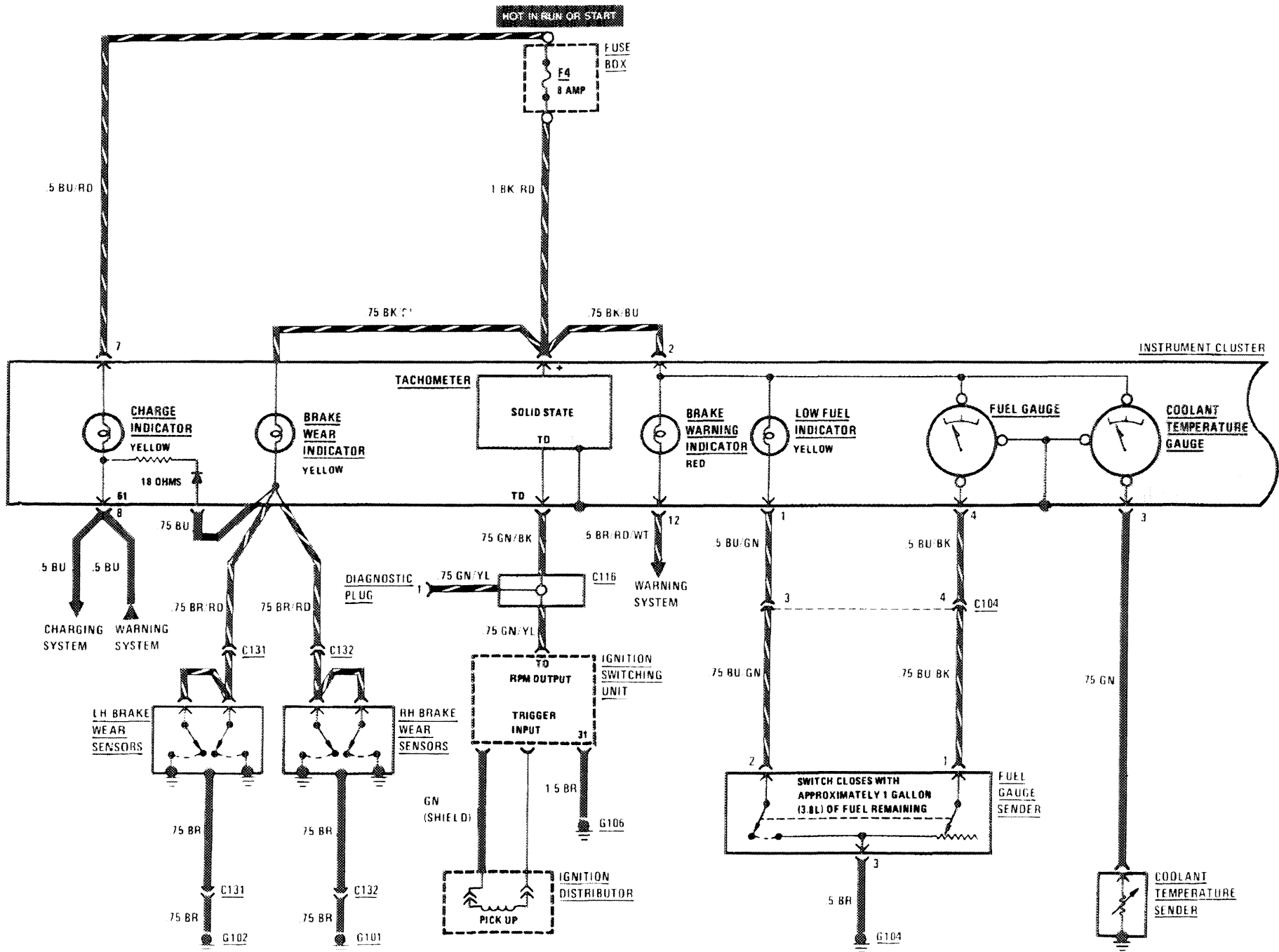
# WARNING SYSTEM



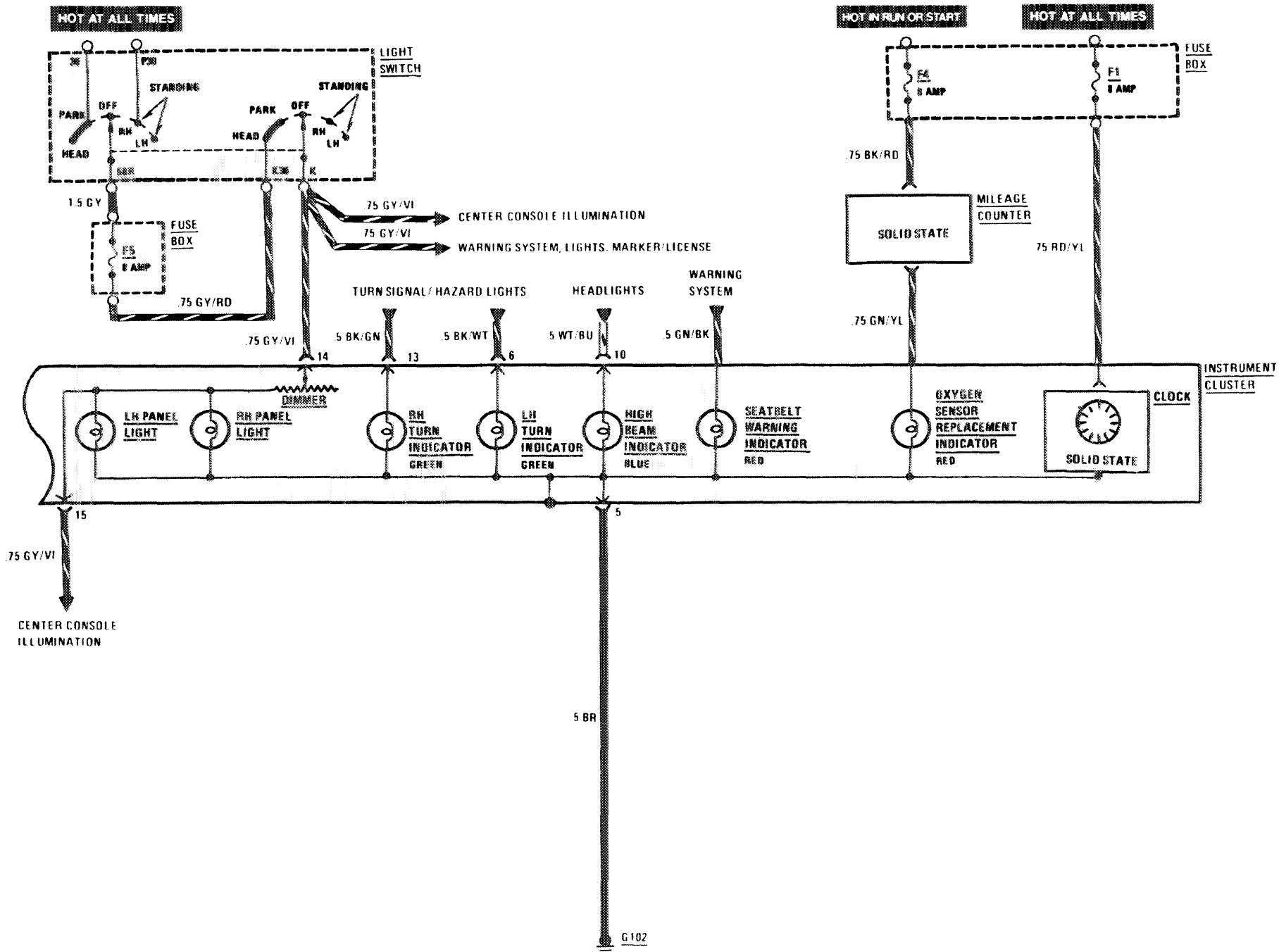




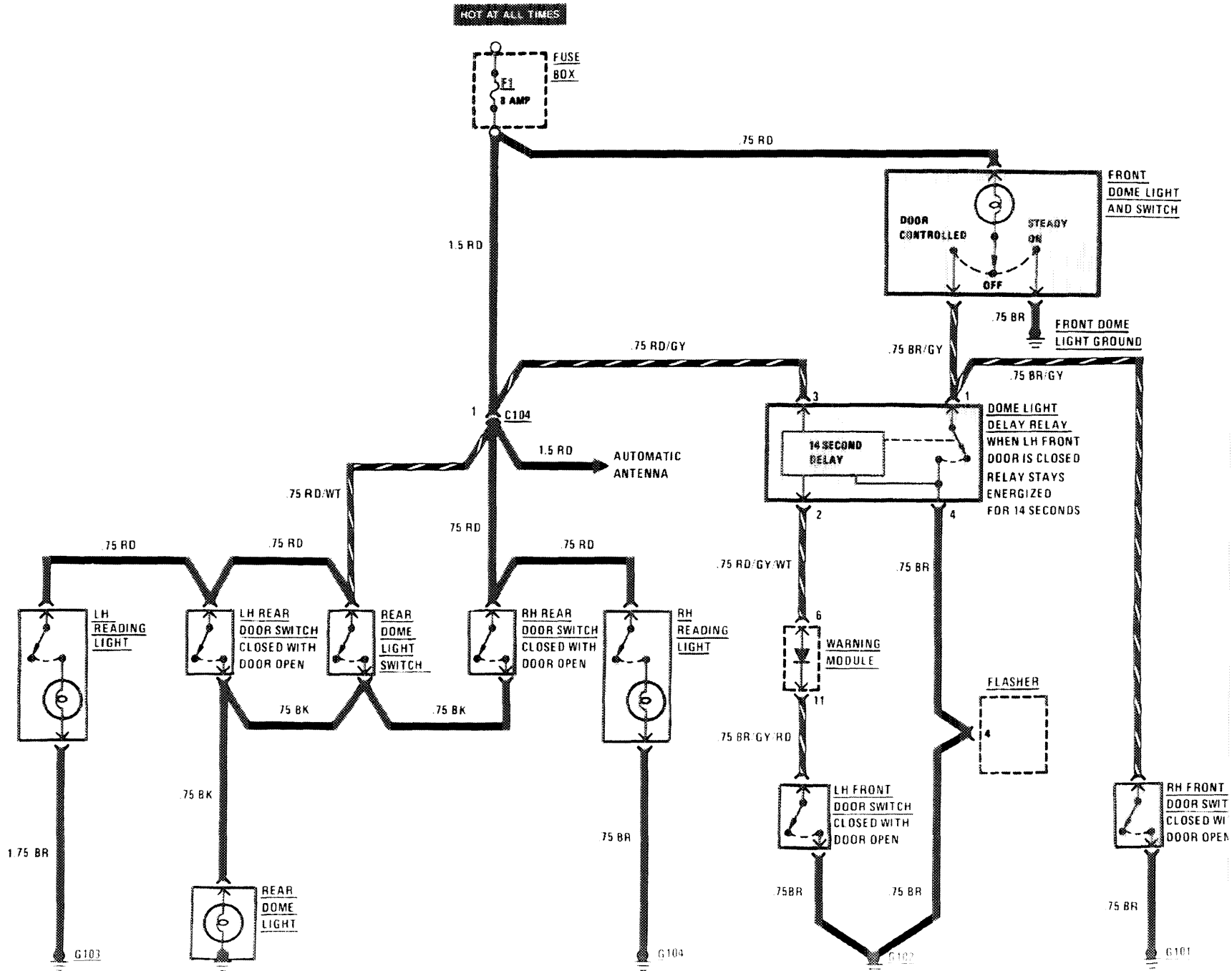
# WARNING INDICATORS/GAUGES/CLOCK/INSTRUMENT CLUSTER ILLUMINATION



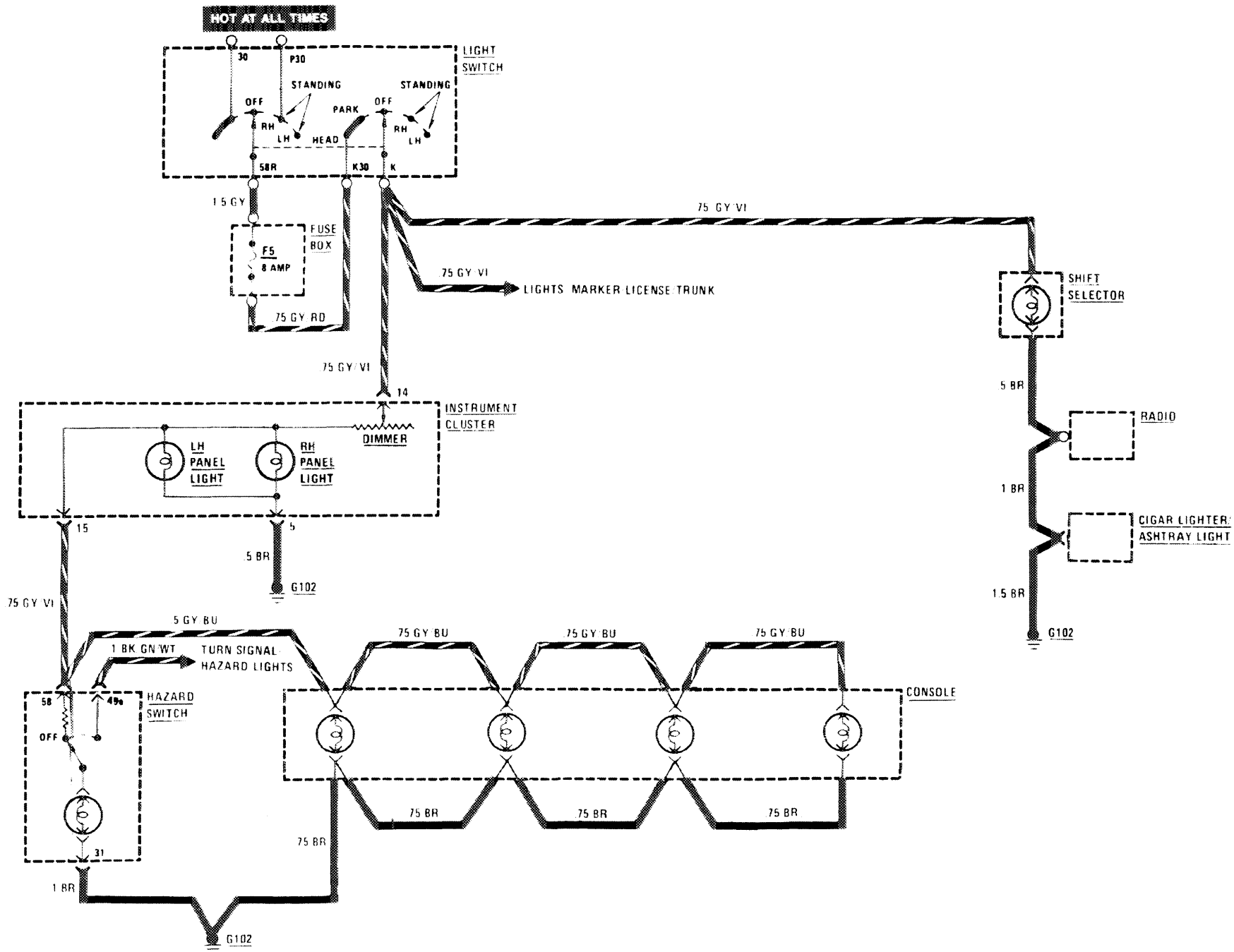
# WARNING INDICATORS/GAUGES/CLOCK/INSTRUMENT CLUSTER ILLUMINATION



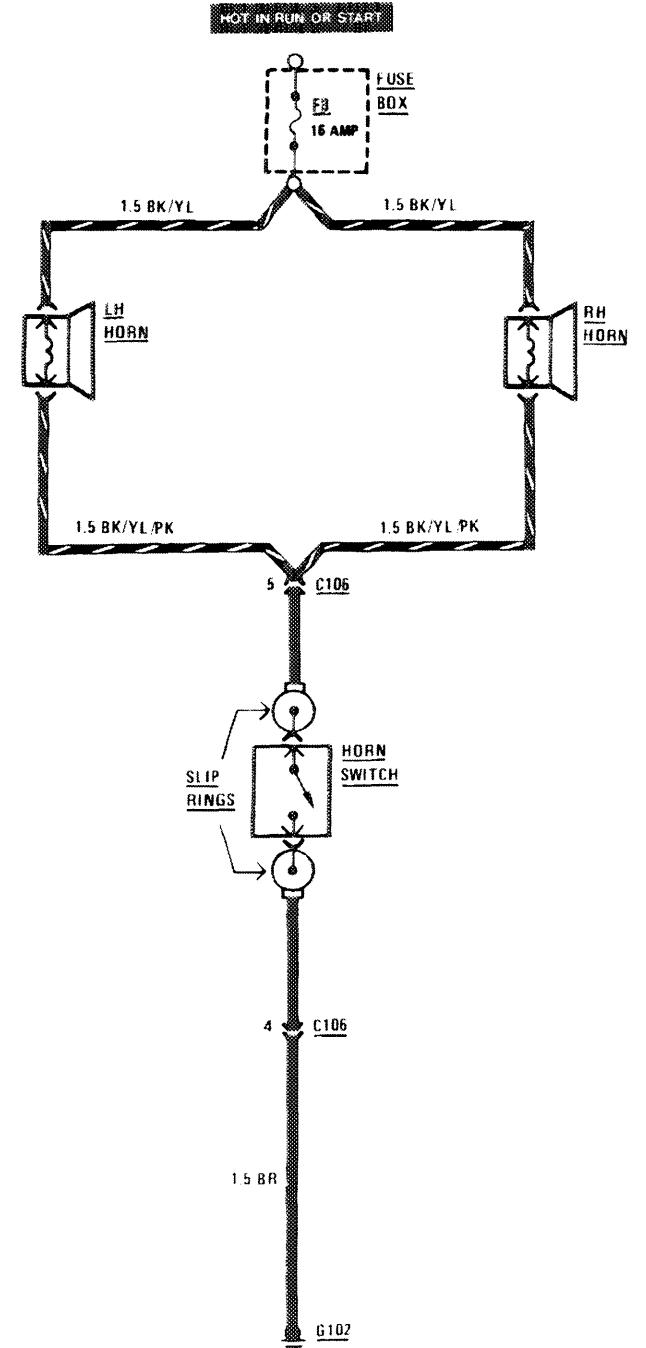
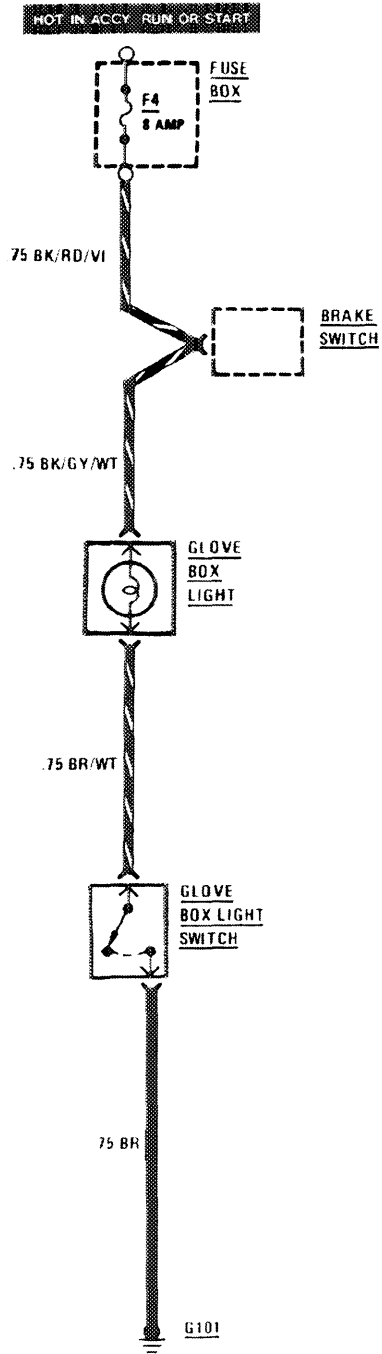
# COURTESY LIGHTS



# CENTER CONSOLE ILLUMINATION



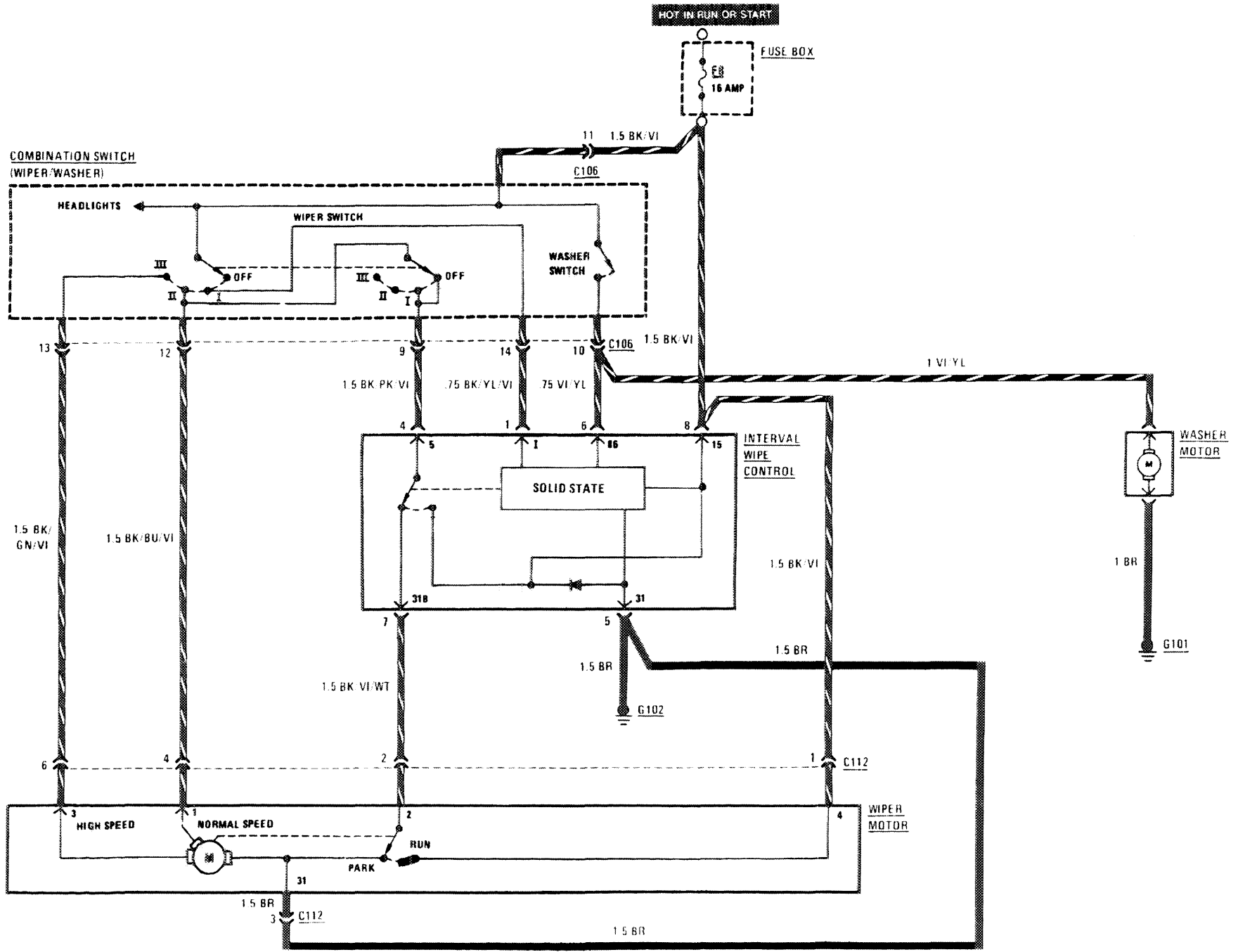
# GLOVE BOX LIGHT/HORNS



120  
450  
SEL



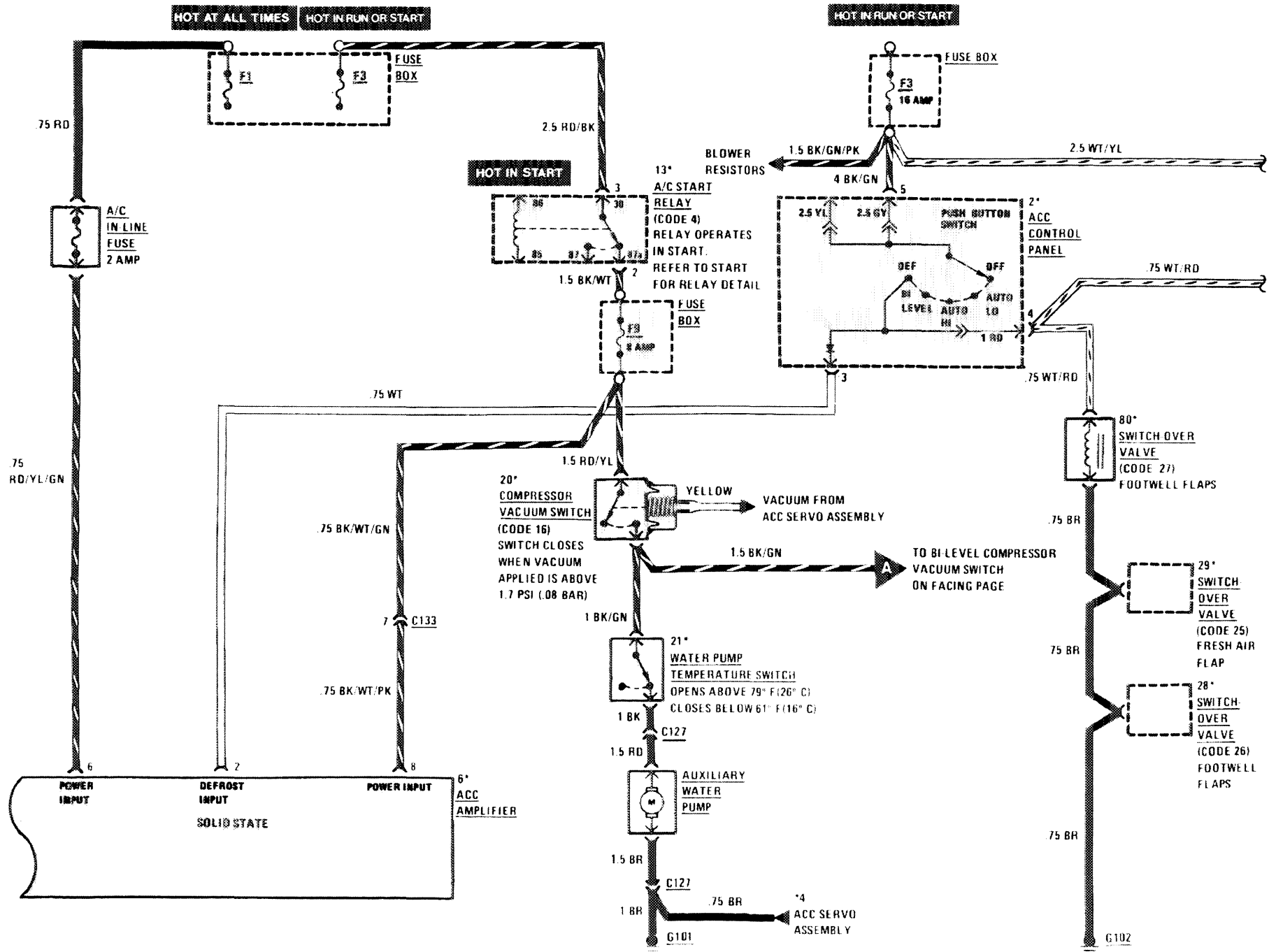
# WIPER/WASHER





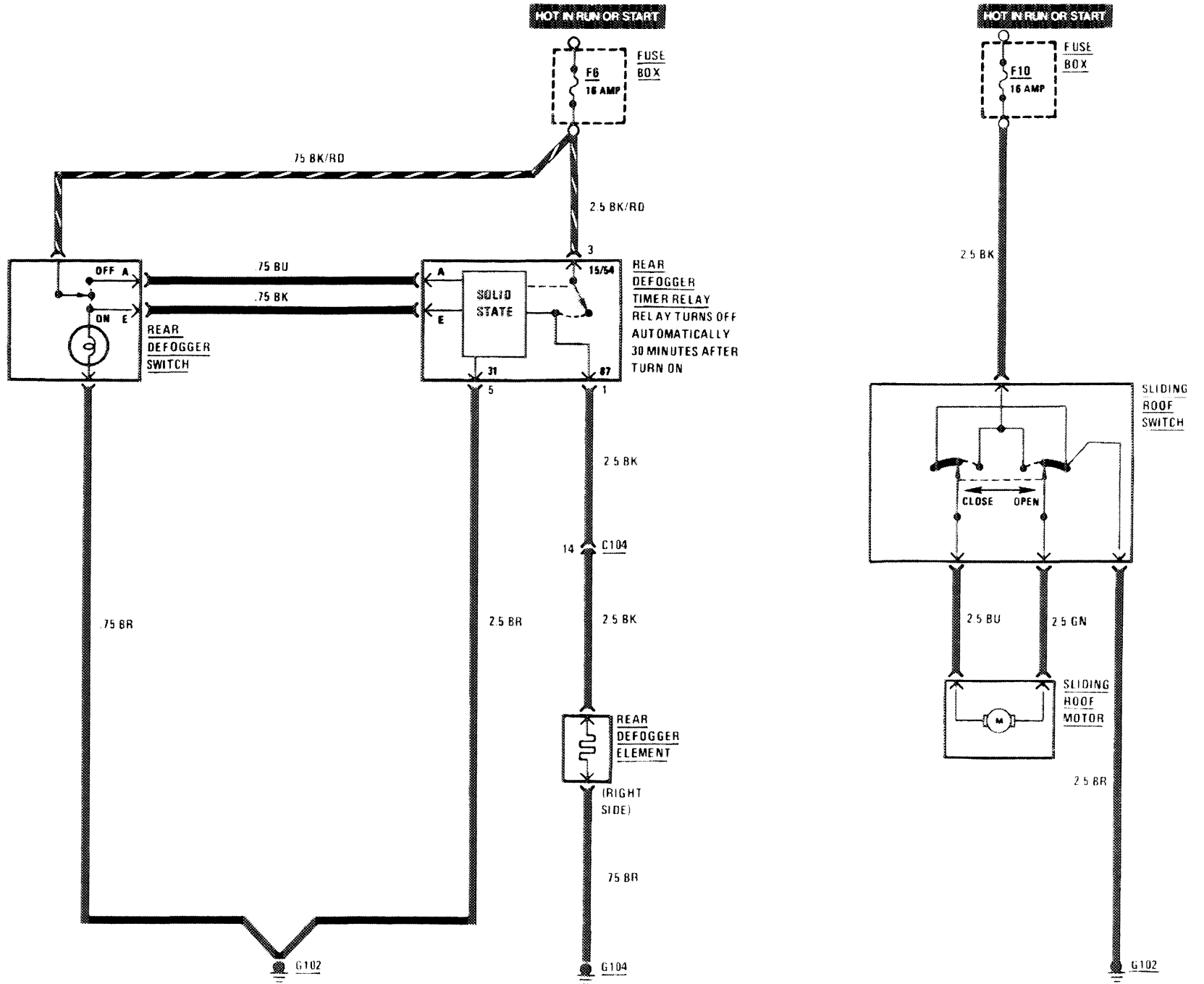


# AUTOMATIC CLIMATE CONTROL



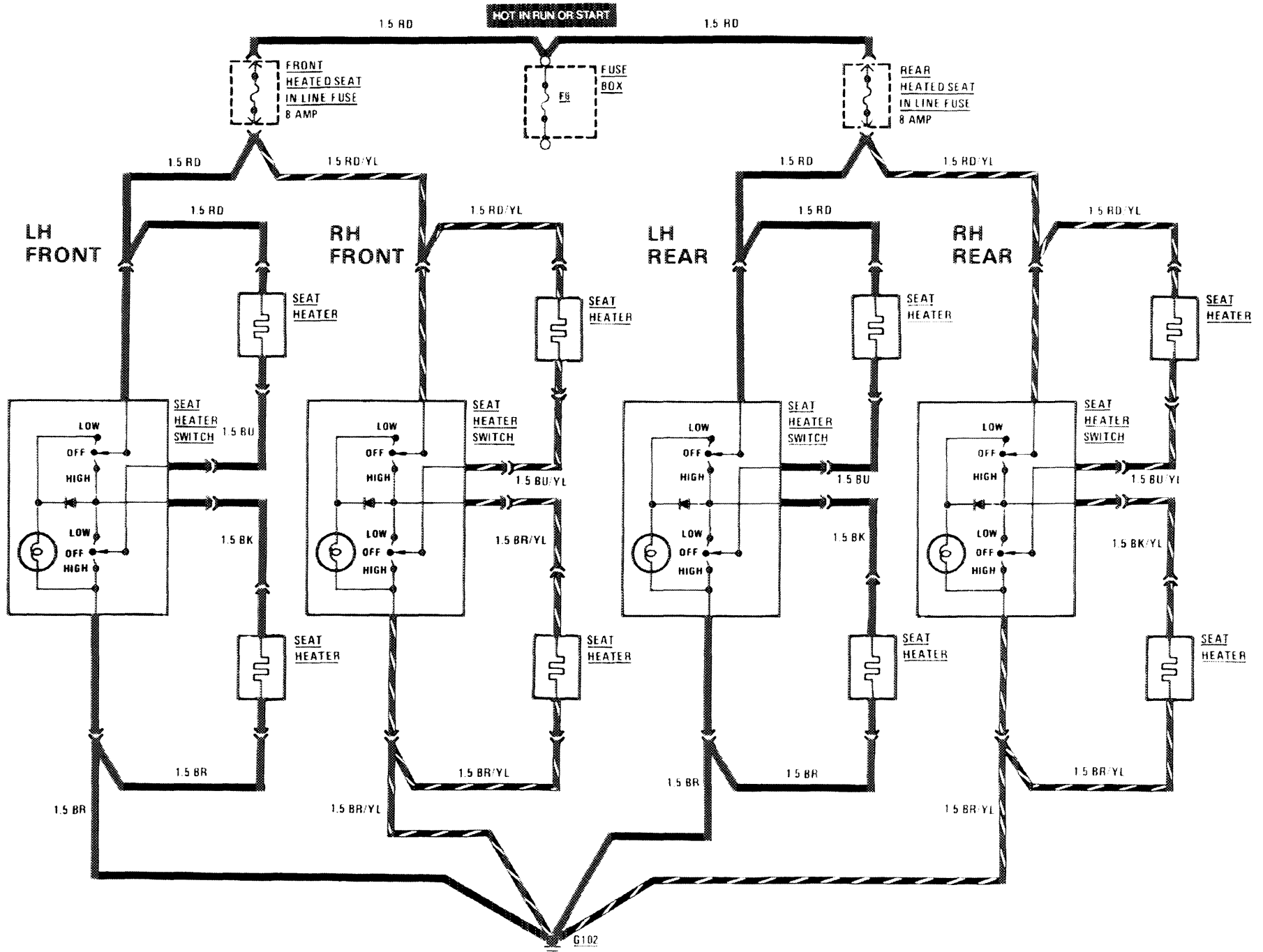


# REAR DEFOGGER / SLIDING ROOF

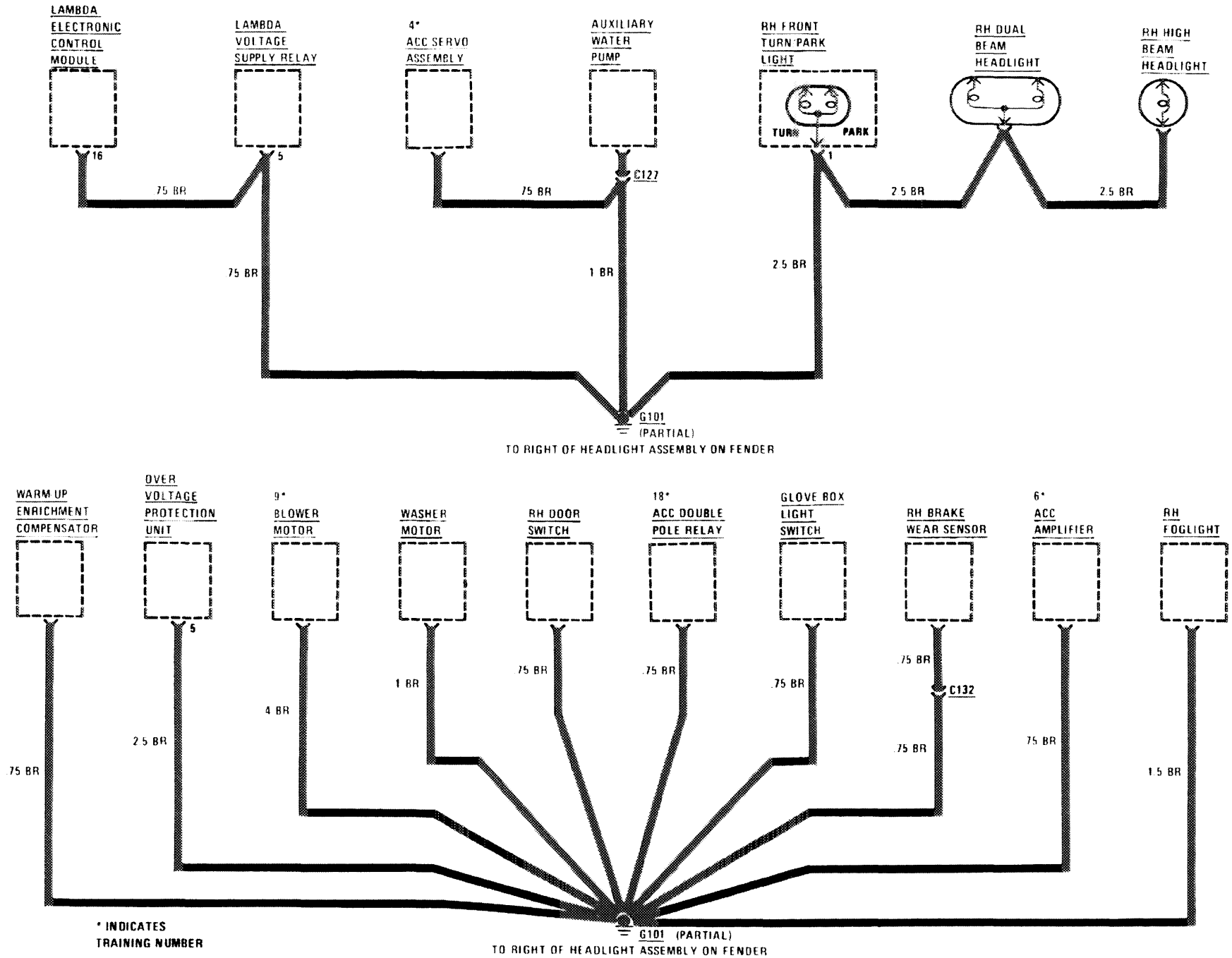




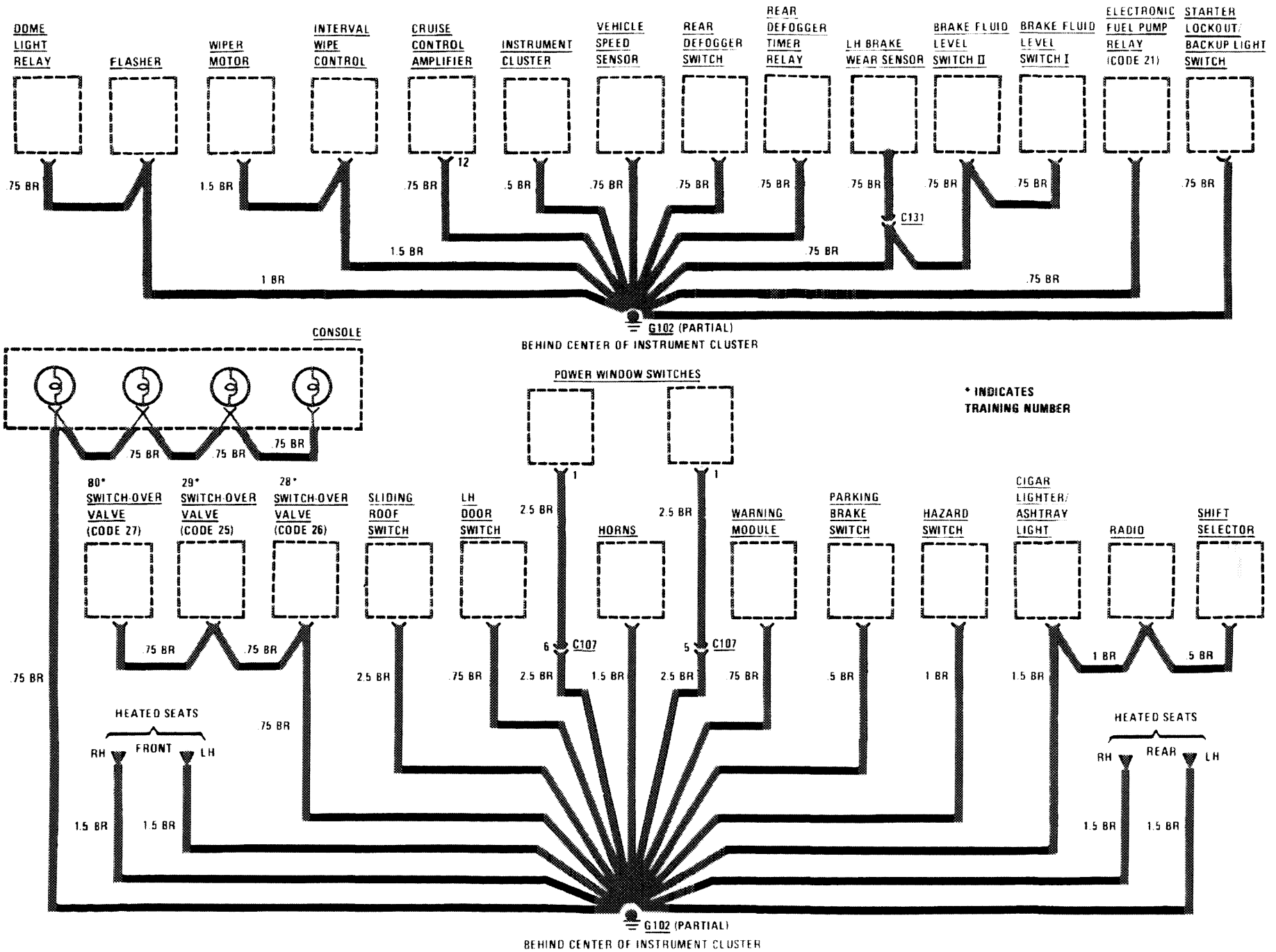
# HEATED SEATS



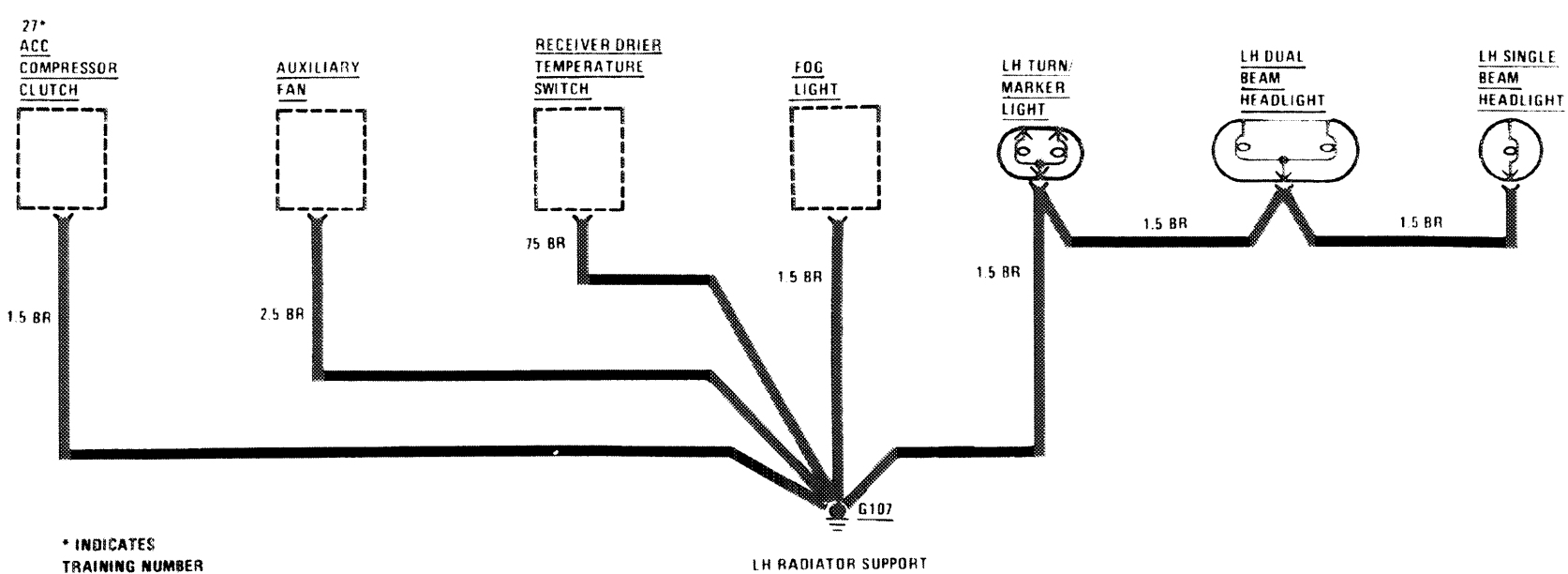
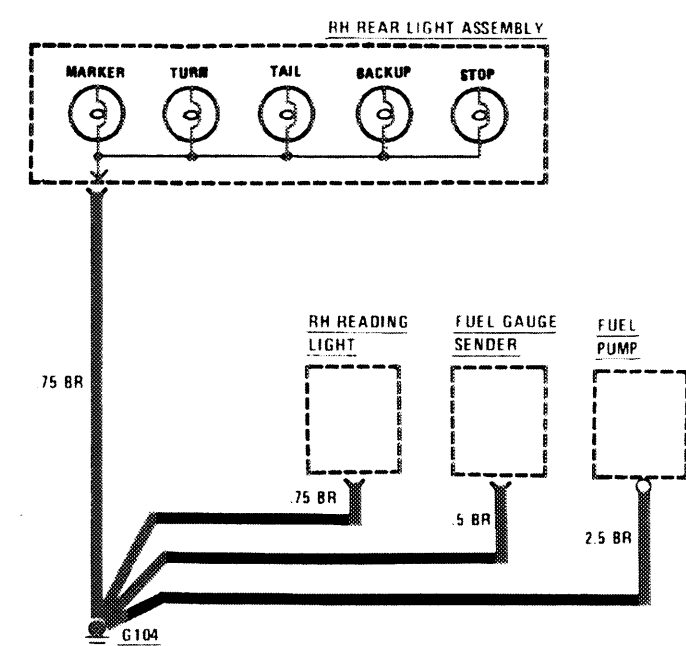
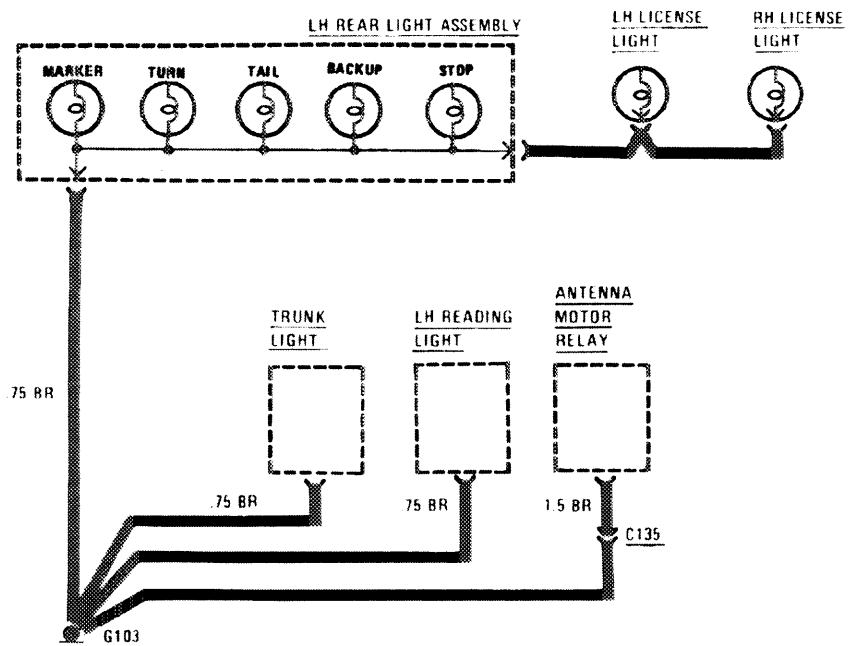
# GROUND DISTRIBUTION



# GROUND DISTRIBUTION



# GROUND DISTRIBUTION



\* INDICATES TRAINING NUMBER