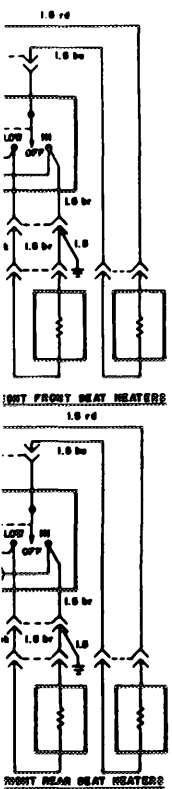


12 | 13 | 14 | 15 | 16 | 17

COMPONENT INDEX

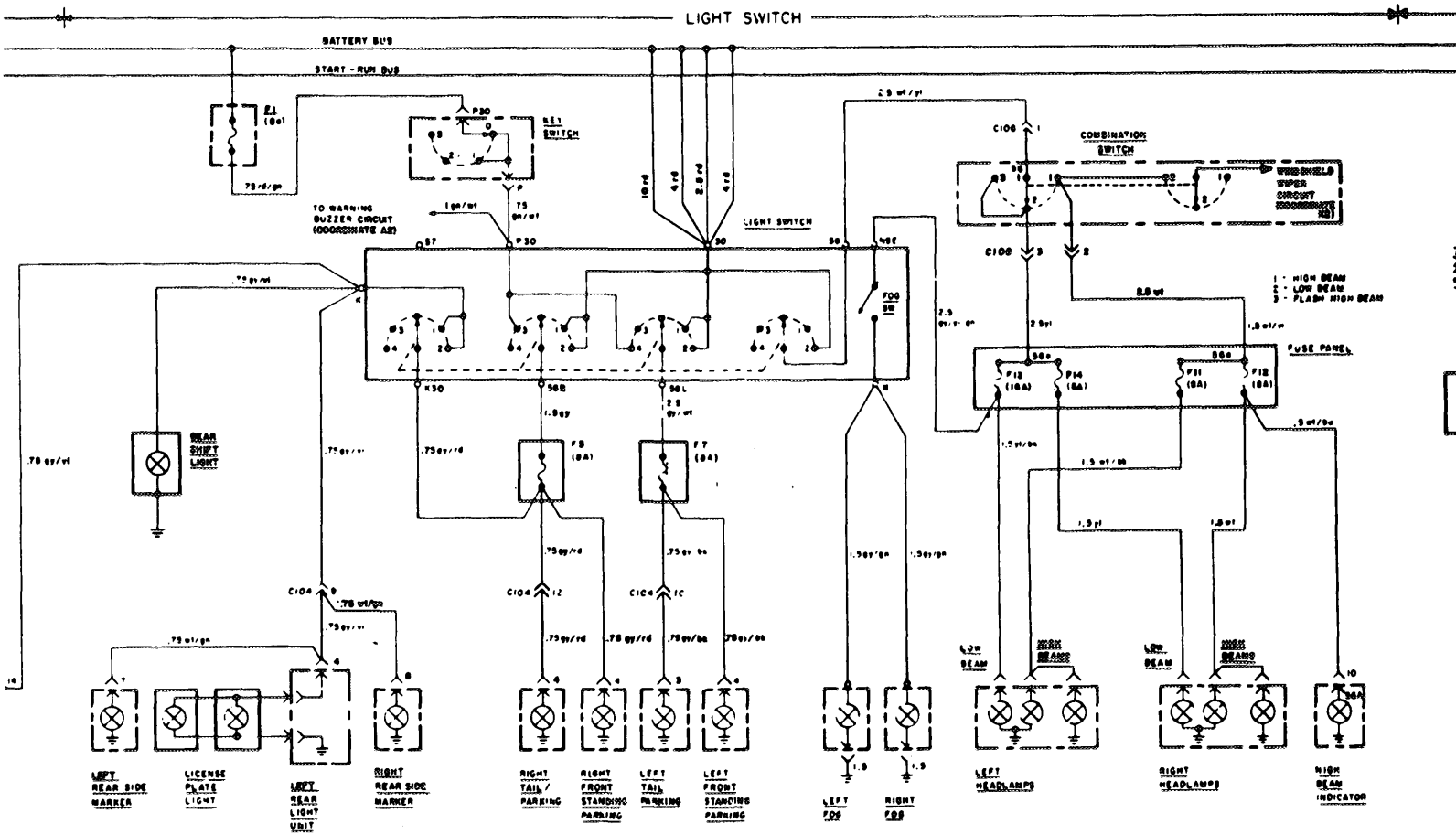
SYSTEM/ COMPONENT	LOCATION ON VEHICLE	LOC. FIG. NO.	TERM. FIG. NO.	SYSTEM/ COMPONENT	LOCATION ON VEHICLE	LOC. FIG. NO.	TERM. FIG. NO.
<b>CHARGE</b> Regulator	Alternator			<b>TRUNK LIGHT</b> C 104 (12 terminal)	Under dash, driver's side		T4
<b>ELECTRIC WINDOWS</b> Front window switch Window relay—key 10 C 107 (8 terminal) C 108 (2 terminal)	Console Left kick panel Console Console	2	T8 T7 T2	<b>TURN SIGNAL AND FLASHER</b> Flasher relay C 104 (12 terminal) C 106 (14 terminal)	Under dash, driver's side Under dash, driver's side Under dash, driver's side	1	T4 T5
<b>IGNITION SYSTEM</b> Coil Distributor .4 Ohm pre-resistor .6 Ohm pre-resistor Transistorized ignition switching unit	Left inner fender Engine, top front Left inner fender Left inner fender Left inner fender	5 5 5 5					
<b>INTERIOR LIGHTS</b> C 109	Under dash, driver's side						
<b>LIGHT SWITCH</b> C 104 (12 terminal) C 106 (14 terminal)	Under dash, driver's side Under dash, driver's side	1	T13 T4 T5				
<b>POWER ANTENNA</b> C 104 (12 terminal)	Under dash, driver's side		T4				
<b>SEAT BELT WARNING.</b> Ignition lock warning Warning buzzer	Under dash, driver's side (brake pedal support)	1	T12				
<b>SEAT HEATERS</b> Seat heater fuse box	On LH wheel housing						
<b>SLIDING ROOF</b> Motor	Near left trunk hinge						



- 1 - Cruise cr
- 2 - Turn sig
- 3 - Rear wtr
- 4 - Speed w
- 5 - Door an
- 6 - C 106



Key 6—Au:  
Key 10—Wl



18 | 19 | 20 | 21 | 22 | 23

LOCATION FIGURES

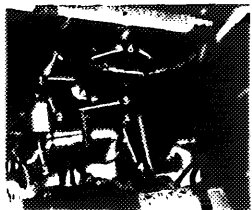


Fig 1

- 1 - Cruise control amplifier
- 2 - Turn signal flasher relay
- 3 - Rear window heater delay relay
- 4 - Speed sensor
- 5 - Door and seat belt warning buzzer
- 6 - C 106

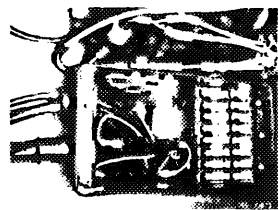


Fig 3

- Key 4 - A/C - Starter relay
- 12 - Auxiliary fuse



Fig 5

- 1 - Ignition coil
- 2 - 6 ohm pre-resistor
- 3 - 4 ohm pre-resistor
- 4 - Transistorized switching unit



Fig 8

- 1 - Blower motor
- 2 - Climate control test connection plug



Fig 4

- 24 - ETR switch

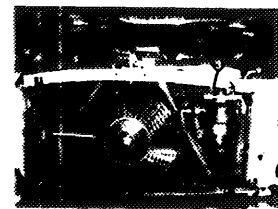


Fig 6

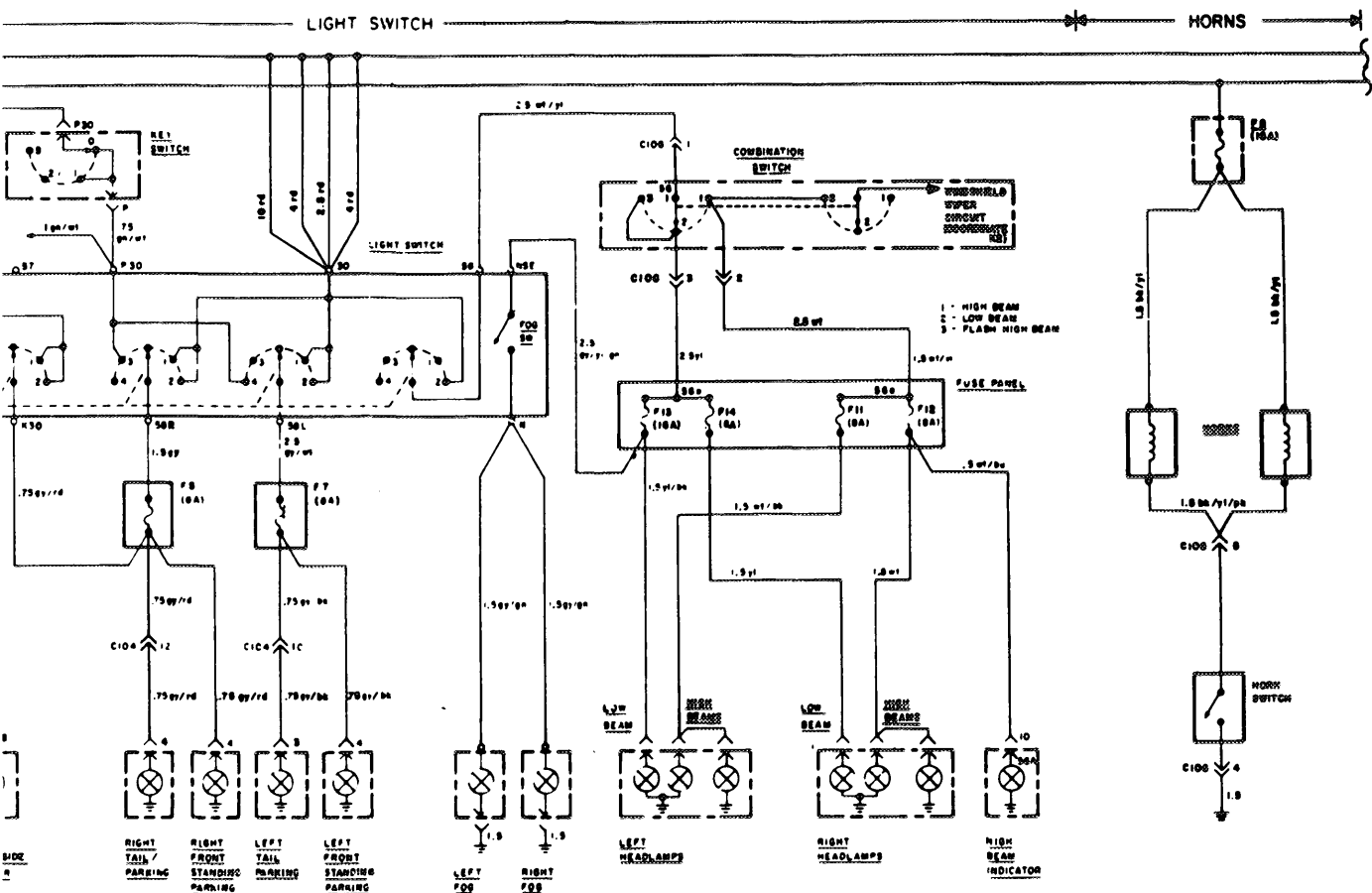
- 1 - Auxiliary fan
- 2 - Low pressure cut-out switch
- 3 - Temperature switch (149°F)



Fig 2

- Key 6 - Auxiliary fan relay
- Key 10 - Window relay

AUTOMATIC C  
 AUXILIARY FA  
 BLOWER MOT  
 CHARGE  
 CIGAR LIGHT  
 CLOCK  
 COOLANT TEM  
 CRUISE CONT  
 ENGINE EMIS  
 FUEL GAUGE  
 HEATED REAR  
 HORNS  
 IGNITION SYS  
 KICKDOWN  
 LIGHT CIRCU  
 AIR CONI  
 BACKUP  
 BRAKE V  
 BRAKE W  
 CONTR  
 FOG  
 GLOVE B  
 HEAD  
 INSTRUM  
 INTERIOR  
 LOW FUE  
 MARKER  
 PARKING  
 STANDING  
 TAIL  
 TRUNK  
 LIGHT SWITC  
 RADIO  
 ANTENN  
 SEAT BELT W  
 SEAT HEATE  
 SLIDING ROC  
 START  
 TURN SIGNA  
 TACH  
 TRUNK  
 WINDOWS  
 WINDSHIEL  
 POWER BUS  
 SPECIAL GR



A  
B  
C  
D

20 21 22 23 24

LOCATION FIGURES

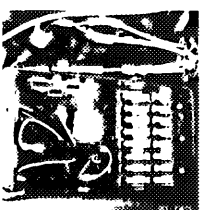


Fig 3  
C - Starter relay  
Auxiliary fuse



Fig 5  
1 - Ignition coil  
2 - .8 ohm pre-resistor  
3 - .4 ohm pre-resistor  
4 - TransistORIZED switching unit



Fig 8  
1 - Blower motor  
2 - Climate control test connection plug



Fig 4  
Auxiliary fan

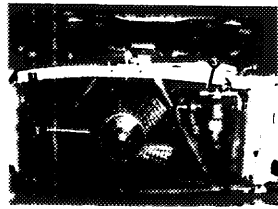
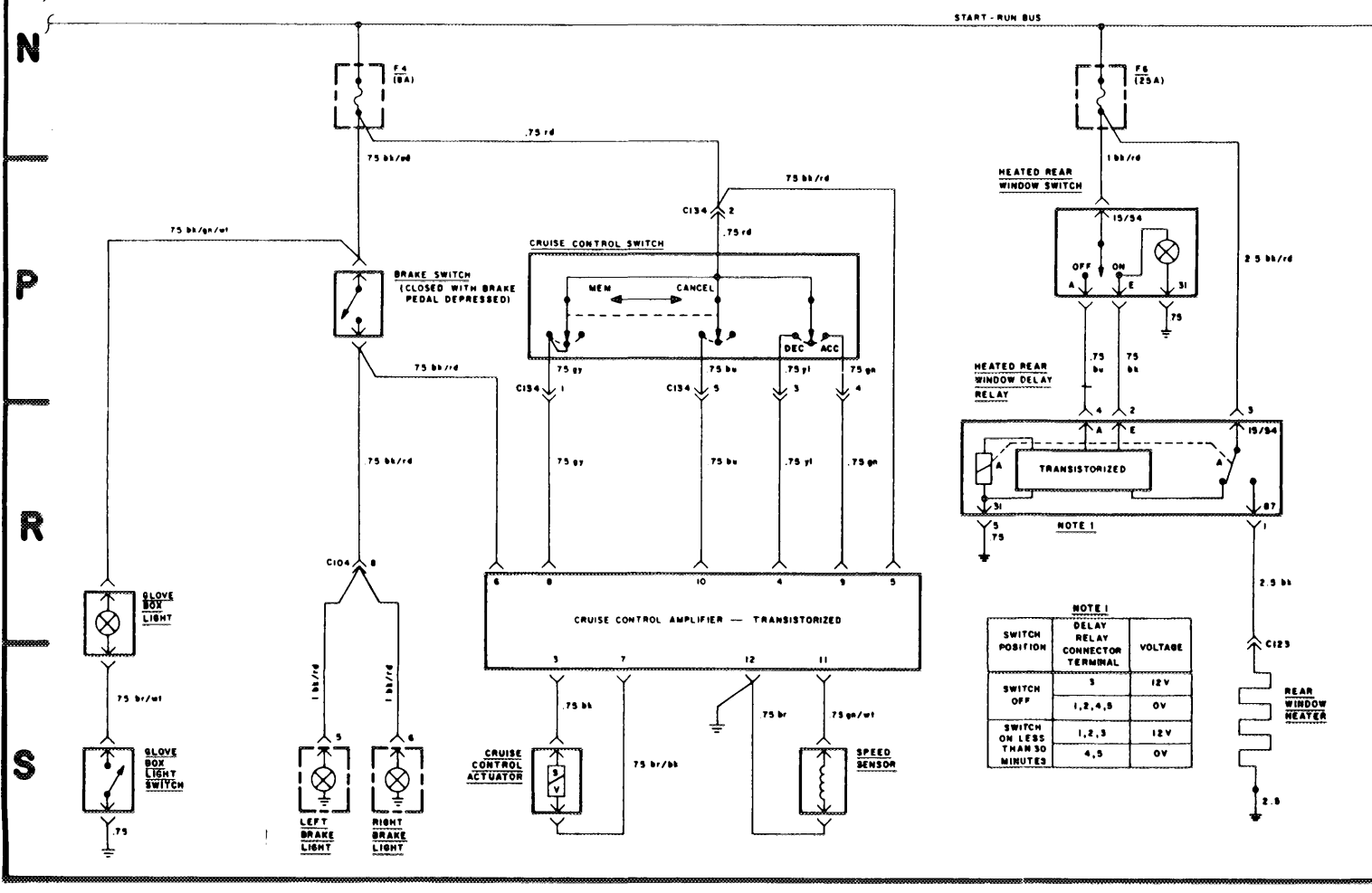
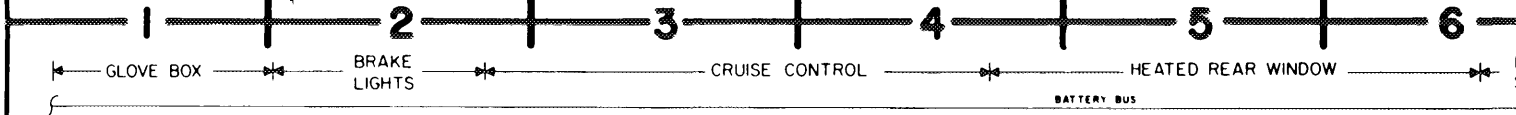
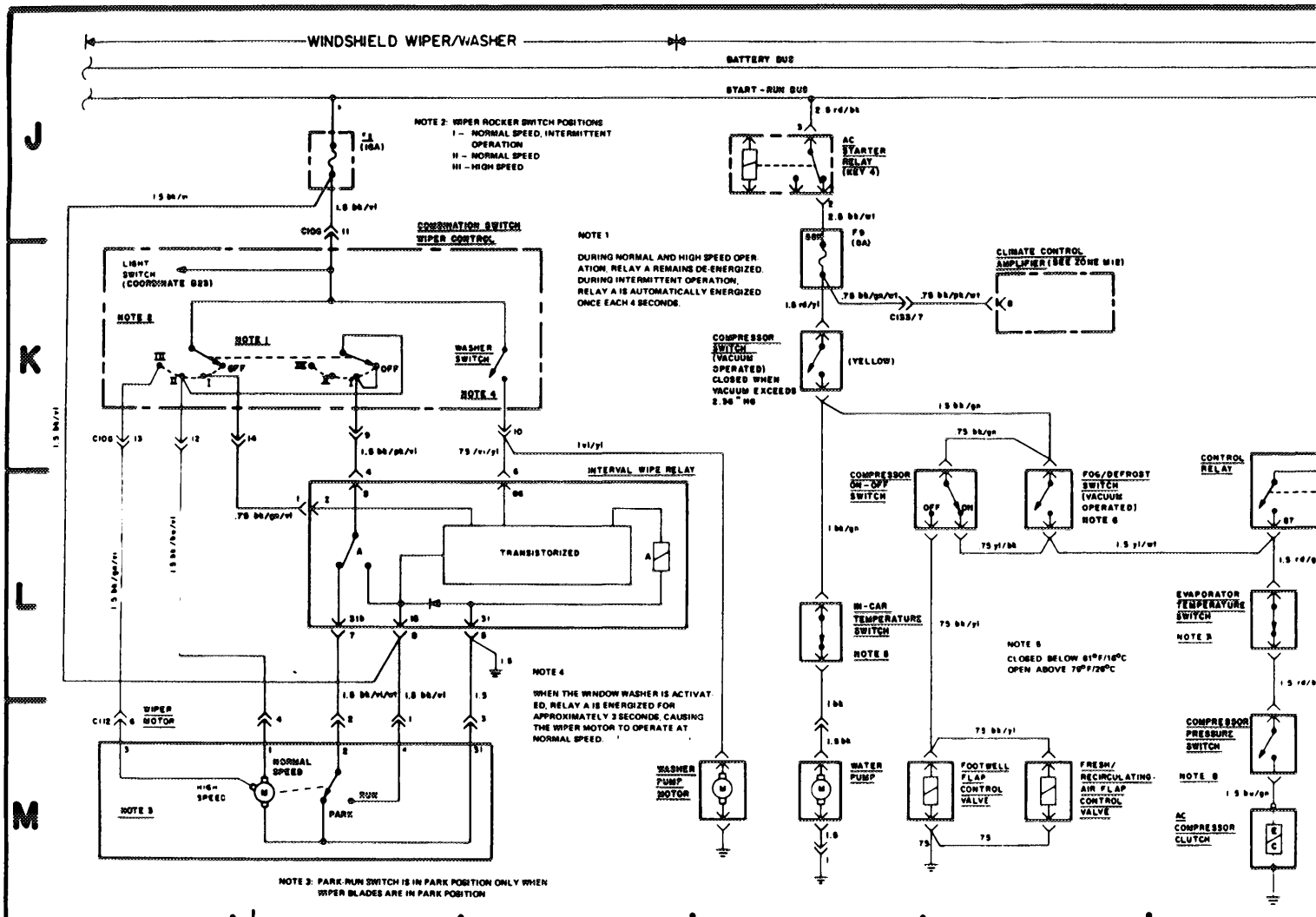
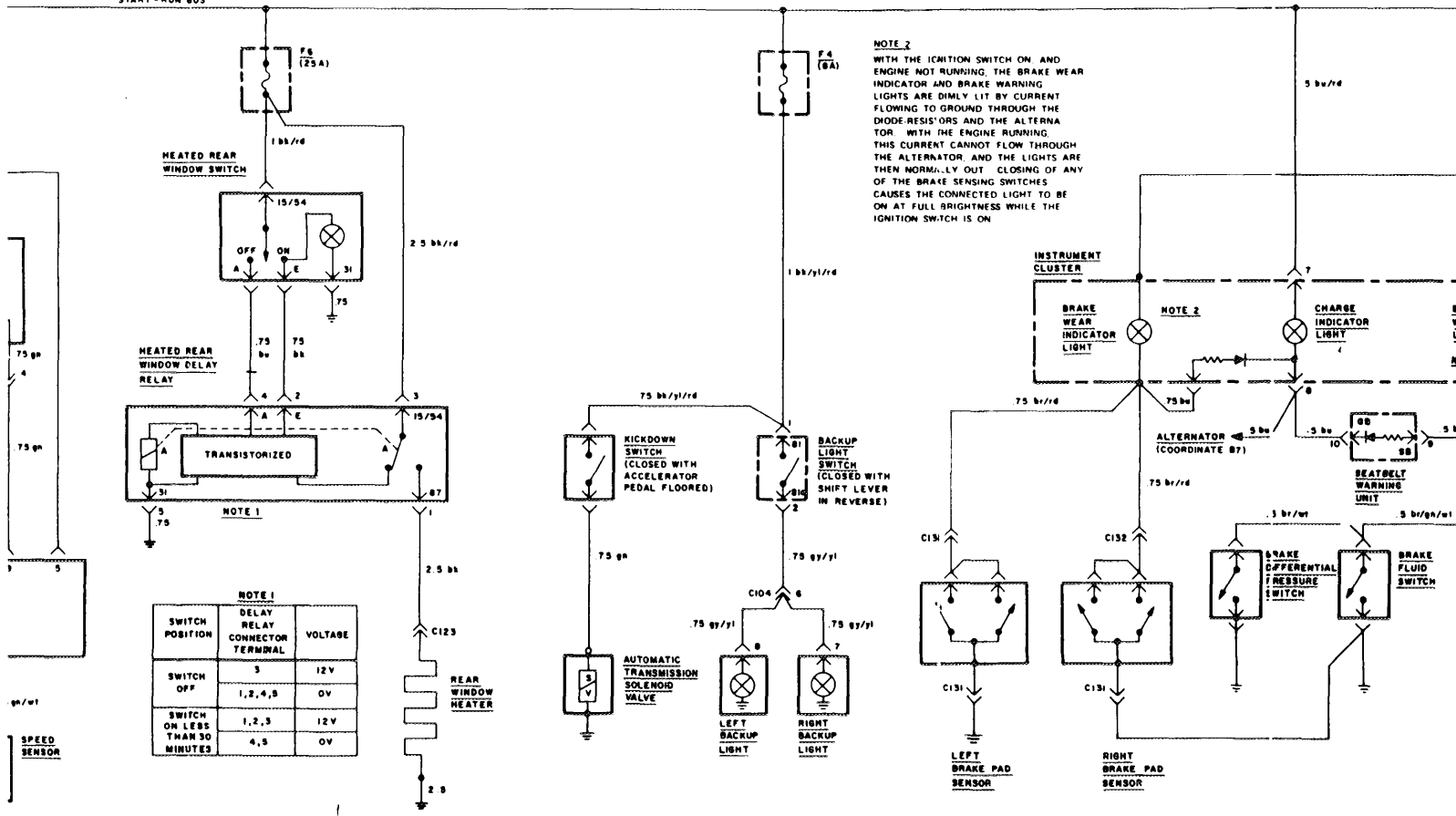
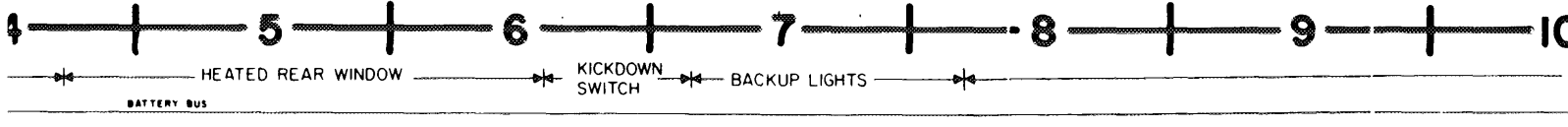
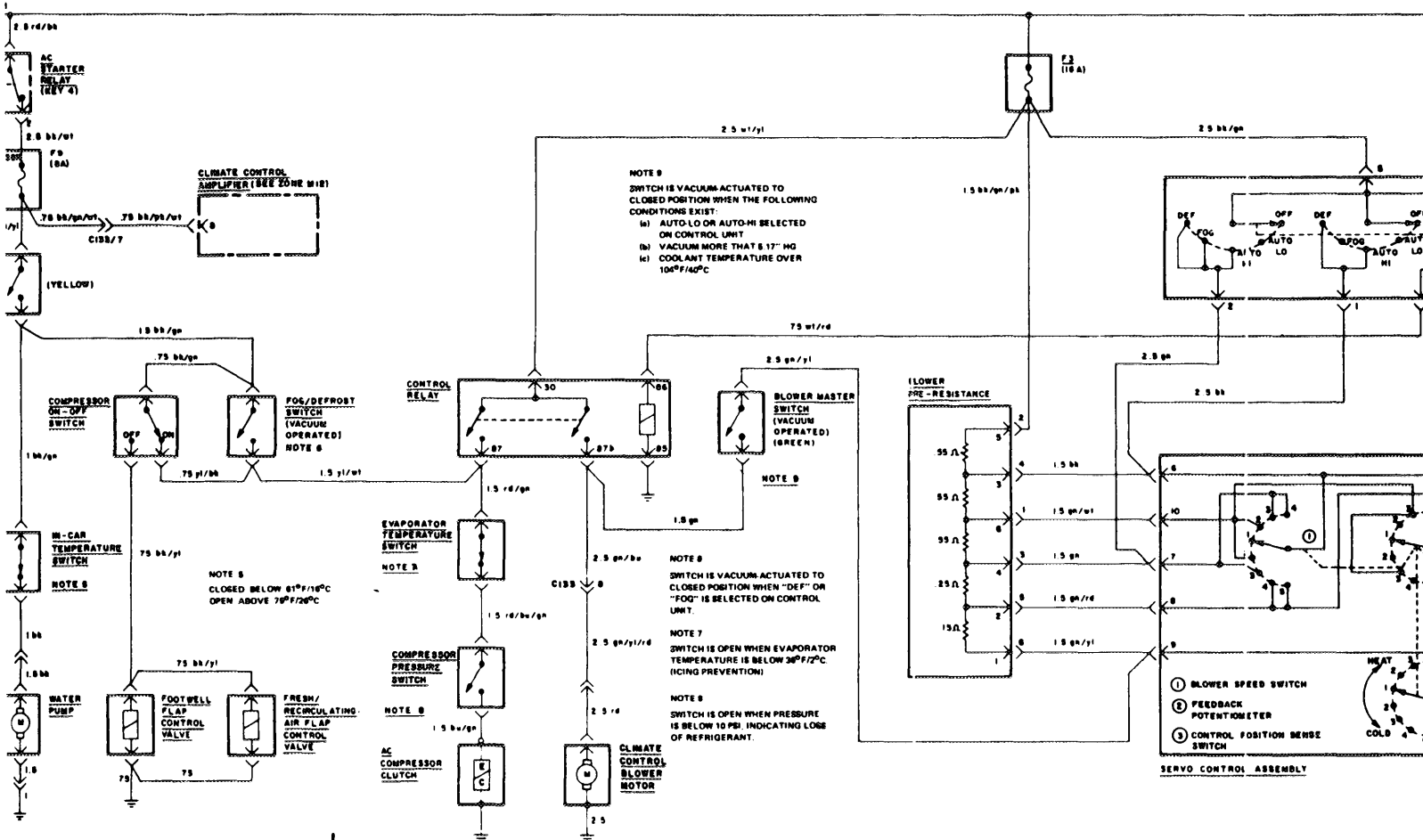


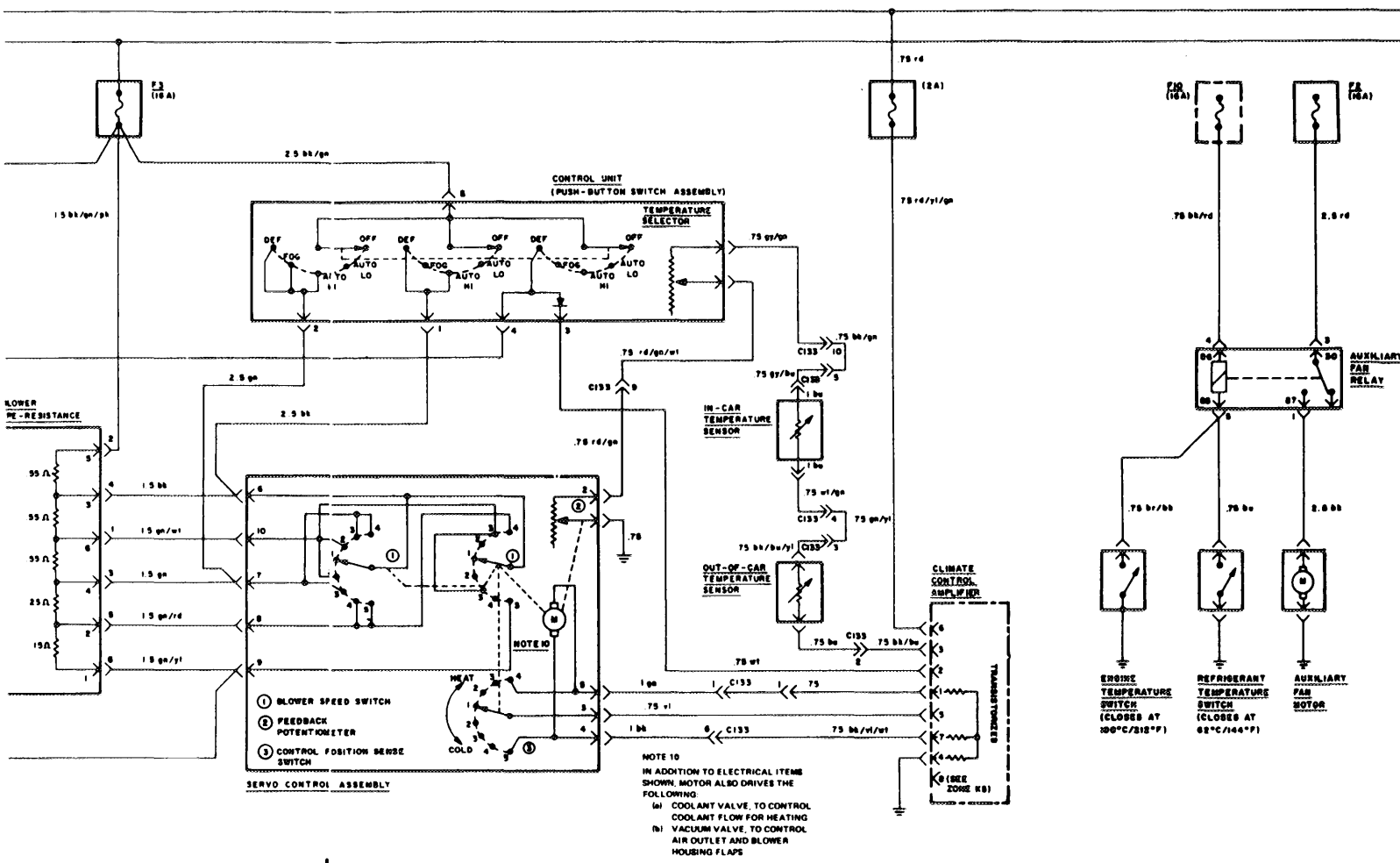
Fig 6  
1 - Auxiliary fan  
2 - Low pressure cut-out switch  
3 - Temperature switch (149°F)

1976 280 S

AUTOMATIC CLIMATE CONTROL	K6
AUXILIARY FAN	L8
BLOWER MOTOR CONTROL	L5
CHARGE	C8
CIGAR LIGHTER	C8
CLOCK	F14
COOLANT TEMPERATURE GAUGE	F13
CRUISE CONTROL	R3
ENGINE EMISSION CONTROL	L11
FUEL GAUGE	F13
HEATED REAR WINDOW	R5
HORNS	L13
IGNITION SYSTEM	C11
KICKDOWN	R7
LIGHT CIRCUITS	
AIR CONDITIONING THERMOSTAT	D17
BACKUP	S7
BRAKE	S2
BRAKE WARNING SYSTEM	F12
CONTROL	D16
FOG	D21
GLOVE BOX	R1
HEAD	D23
INTERIOR CLUSTER	D17
INTERIOR	G8
LOW FUEL WARNING	F13
MARKER	D19
PARKING	D20
STANDING	D20
TAIL	D20
TRUNK	G10
LIGHT SWITCH	B21
RADIO	C4
ANTENNA	G10
SEAT BELT WARNING	C2
SEAT HEATERS	G10
SLIDING ROOF	G1
START	C4/C9
TURN SIGNAL/FLASHER	C14
TACH	F14
TRUNK	G9
WINDOWS	G4
WINDSHIELD WIPER/WASHER	L3
POWER BUS DETAILS	
SPECIAL GROUNDING CIRCUITS	K19

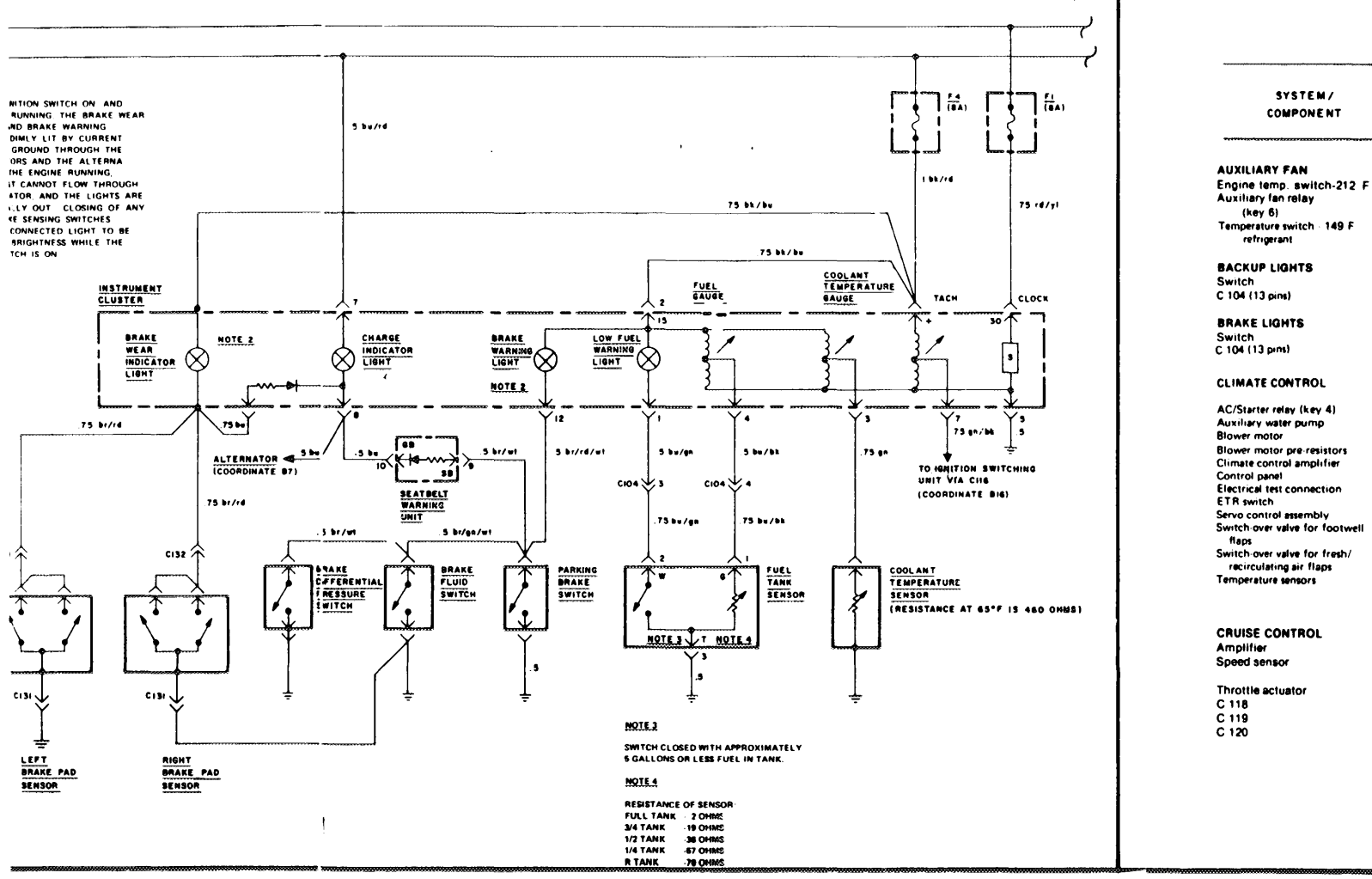




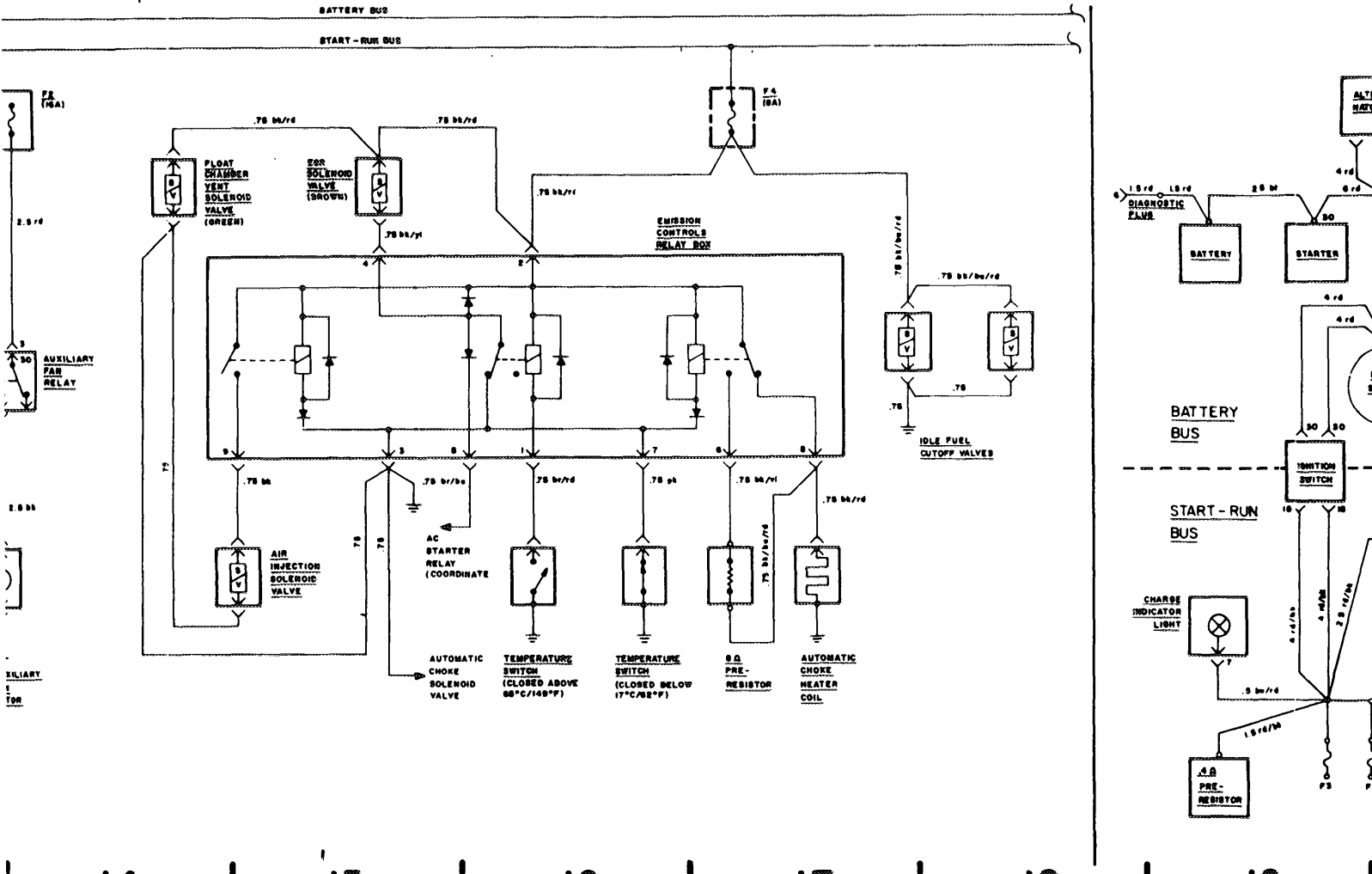


- 8 - | - 9 - | - 10 - | - 11 - | - 12 - | - 13 -

INSTRUMENT CLUSTER







COMPONENT INDEX

SYSTEM / COMPONENT	LOCATION ON VEHICLE	LOC FIG NO	TERM FIG NO	SYSTEM / COMPONENT	LOCATION ON VEHICLE	LOC FIG NO	TERM FIG NO
FAN 1 switch-212 F relay	Engine top front	7		ENGINE EMISSION CONTROL Relay box — emission control	Left inner fender	7	
	Left kick panel	2	T7		Temp. switch — 17C/62F	Oil filter mount	7
switch-149 F nt	Receiver-dryer	6		Temp. switch — 65C/149F	Right side engine	7	
				Air injection switch-over valve (bu)	Left inner fender	7	
SHTS 1)	Left side transmission			EGR switch-over valve (red)	Left inner fender	7	
	Under dash, driver's side	1	T4	Float chamber vent switch-over valve	Left inner fender	7	
4TS 1)	Top of brake pedal			8 ohm pre resistor	Left inner fender	7	
	Under dash, driver's side	1	T4	FUSES	Fuse box	3	
NTROL ay (key 4) tr pump	Fuse box	3		HEATED REAR WINDOW Heated rear window delay relay	Under dash, driver's side	1	T14
	Right firewall	13		C 123	Behind rear seat, left side		
pre-resistors 1) amplifier	Right lower dash	8		HORNS C 106 (14 terminal)	Under dash, driver's side	1	T5
	Right upper firewall	13					
connection 1)	Behind glove box	12		INSTRUMENT CLUSTER Brake fluid switches	Brake cylinder reservoir neck		
	Center console	8		Brake differential pressure switch	Master cylinder		
assembly 1) for footwell	Top right floorwell	8		Coolant temp. sensor	Right rear cylinder head	7	
	Right firewall	4		Fuel tank sensor	Below first aid kit well		
1) for fresh/ air flaps sensors	Top of heater box	4		Parking brake switch	Top of parking brake		
	Right firewall	4		C 104 (12 terminal)	Under dash, driver's side	1	T4
1) for fresh/ air flaps sensors	Behind center console	9		Brake fluid reservoir			
	Behind center console	9		KICKDOWN SWITCH Kickdown switch	Under accelerator pedal		
1) for fresh/ air flaps sensors	Top center of dash	10		Automatic transmission solenoid valve	Right side of transmission		
	Right center firewall	11		WINDSHIELD WIPER/WASHER Interval wipe relay	Under dash, driver's side	1	T10
1) for fresh/ air flaps sensors	Under dash, driver's side			Washer pump motor	Below battery		
	Under dash, driver's side— speedometer cable			Wiper motor	Under dash, behind console		
1) for fresh/ air flaps sensors	Right fender, near hood spring			C 106 (14 terminal)	Under dash, driver's side		

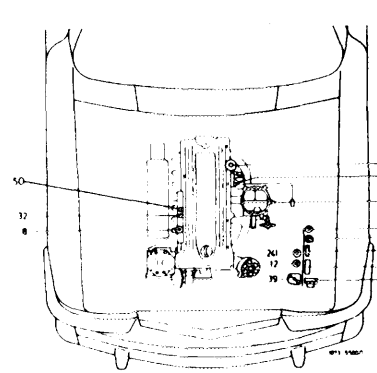


Fig 7

- 5—Relay box
- 7—62° F (17° C) temp. switch
- 8—212° F (100° C) temp. switch
- 12—Switch-over valve, EGR (brown)
- 32—149° F (65° C) temperature switch
- 33—Switch-over valve, air injection (blue)
- 37—Switch over valve float chamber vent
- 46—Resistor, automatic choke cover
- 50—Coolant Temp. Sensor



Fig 9

- 28—Switch over valve for footwell air flaps
- 29—Switch over valve for fresh air flaps

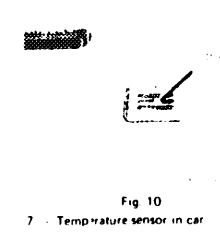


Fig 10

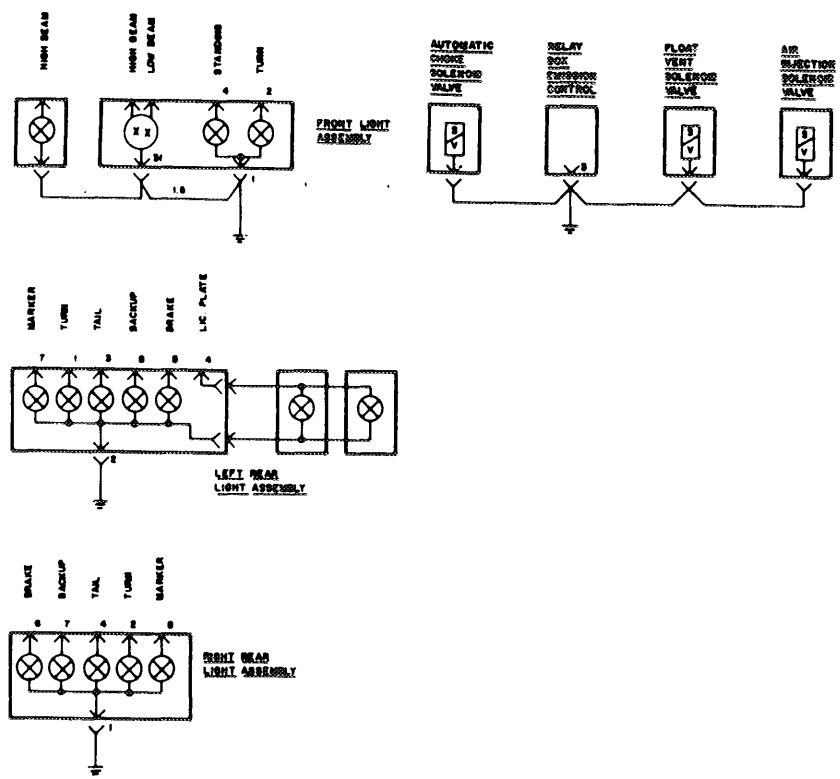
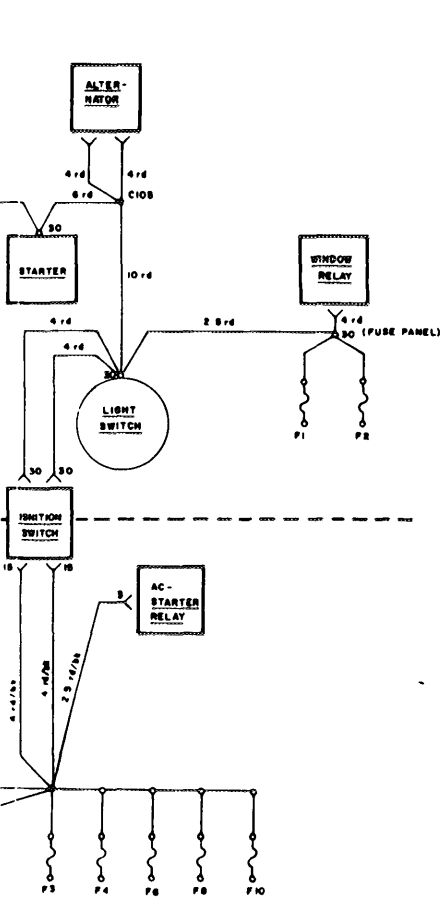
- 7—Temperature sensor in car



- 8—Temperature sensor for air filter
- 26—Switch over valve for ignition (yellow)

POWER BUS DETAIL

SPECIAL GROUNDING CIRCUITS



LOCATION FIGURES

1976 280 S



Fig 9  
over valve for footwell flaps  
over valve for fresh  
ating flaps

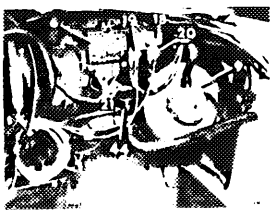


Fig 12  
6 Climate control amplifier  
9 Blower motor  
18 Double pole relay  
19 Blower master switch (green)  
20 Compressor switch (yellow)  
21 Temperature switch for water pump  
44 Aspirator

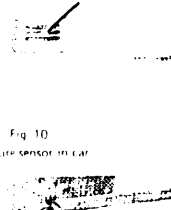


Fig 10  
blower motor pre resistor

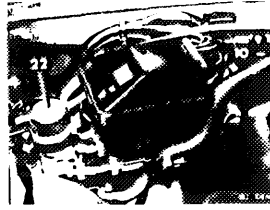


Fig 13  
10 Blower motor pre resistors  
22 Auxiliary water pump



Fig 11  
temperature sensor for ambient air  
over valve for ignition retard

FUSE DATA

<b>Fuse 1 (8 amps)</b> Clock Flasher Interior lights Trunk light Radio antenna	<b>Fuse 7 (8 amps)</b> Front standing/parking light (left) Tail/parking light (left)
<b>Fuse 2 (8 amps)</b> Auxiliary fan motor Key buzzer	<b>Fuse 8 (16 amps)</b> High beam indicator Horns Left and right high beams Windshield wiper/ washer
<b>Fuse 3 (16 amps)</b> Blower motor	<b>Fuse 9 (8 amps)</b> Air conditioner clutch
<b>Fuse 4 (8 amps)</b> Backup light Brake lights Cruise control Emission control Glove box light Instrument cluster Kickdown solenoid Seat belt warning Turn signal Idle fuel cutoff valves	<b>Fuse 10 (8 amps)</b> Auxiliary fan relay Sliding roof Window control
<b>Fuse 5 (8 amps)</b> A.C. thermostat illumination Blower switch illumination Flasher illumination Front standing/ parking (right) License plate light Rear side markers Tail parking light	<b>Fuse 11 (8 amps)</b> Left headlights, high beam <b>Fuse 12 (8 amps)</b> High beam indicator Right headlights, high beam
<b>Fuse 6 (25 amps)</b> Cigar lighter Heated rear window	<b>Fuse 13 (16 amps)</b> Fog lights Left headlight, low beam <b>Fuse 14 (8 amps)</b> Right headlight, low beam <b>Fuse 15 (16 amps)</b> Left rear window Right front window <b>Fuse 16 (16 amps)</b> Left front window Right rear window

AUTOMATIC CLIMATE CONTROL	K6
AUXILIARY FAN	L8
BLOWER MOTOR CONTROL	L5
CHARGE	C2
CIGAR LIGHTER	C8
CLOCK	F14
COOLANT TEMPERATURE GAUGE	F13
CRUISE CONTROL	R3
ENGINE EMISSION CONTROL	L11
FUEL GAUGE	F13
HEATED REAR WINDOW	R5
HORNS	L13
IGNITION SYSTEM	C11
KICKDOWN	R7
<b>LIGHT CIRCUITS</b>	
AIR CONDITIONING THERMOSTAT	D17
BACKUP	S7
BRAKE	S2
BRAKE SYSTEM WARNING	F12
CONTROL	D16
FOG	D21
GLOVE BOX	R1
HEAD	D23
INTERIOR CLUSTER	D17
INTERIOR	G8
LOW FUEL WARNING	F13
MARKER	D19
PARKING	D20
STANDING	D20
TAIL	D20
TRUNK	G10
LIGHT SWITCH	B21
RADIO	C4
ANTENNA	G10
SEAT BELT WARNING	C2
SEAT HEATERS	G10
SLIDING ROOF	G1
TRUNK	C4/C9
TURN SIGNAL/FLASHER	G8
TACH	F14
WINDOWS	G4
WINDSHIELD WIPER/WASHER	L3
<b>POWER BUS DETAILS</b>	
SPECIAL GROUNDING CIRCUITS	K19

