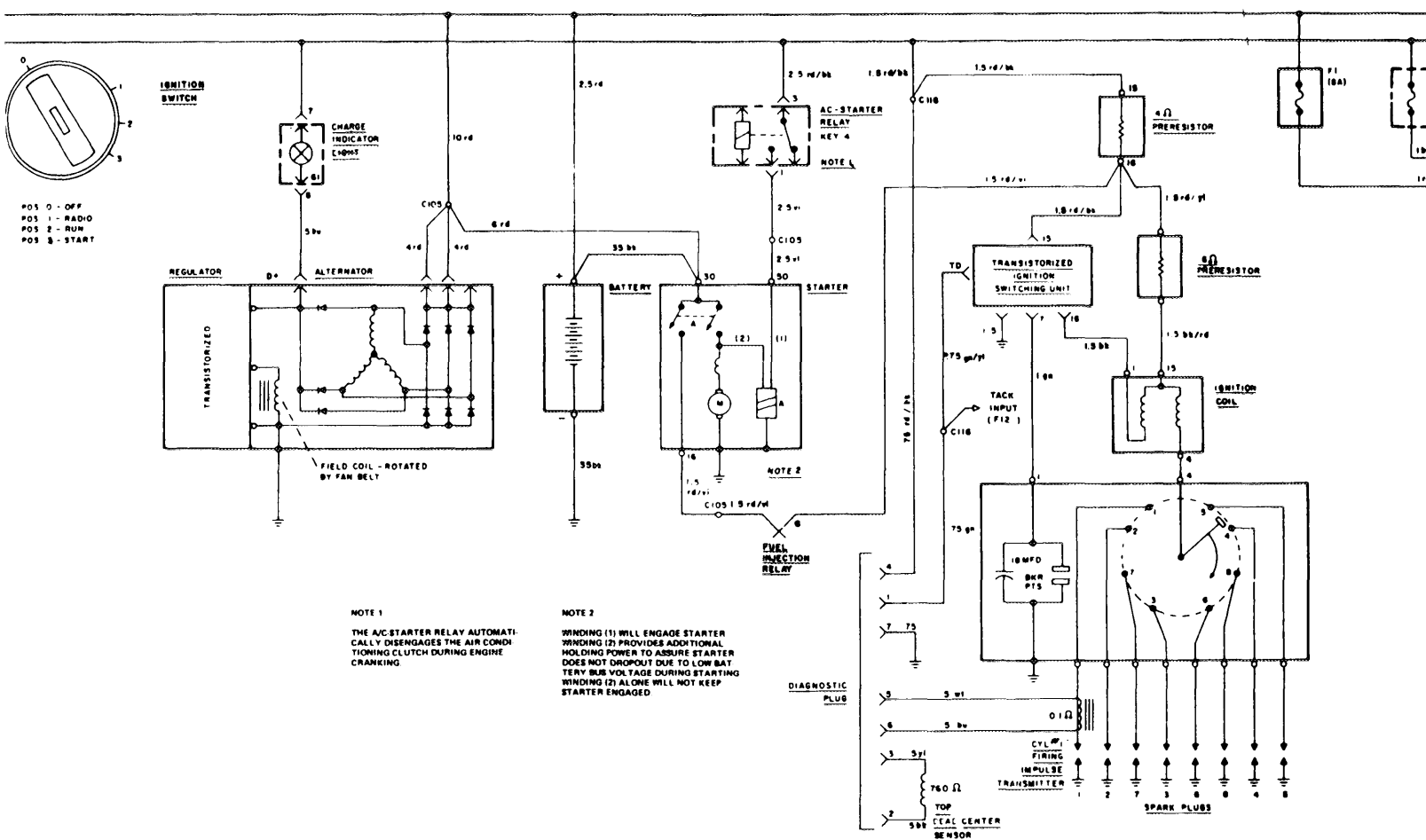
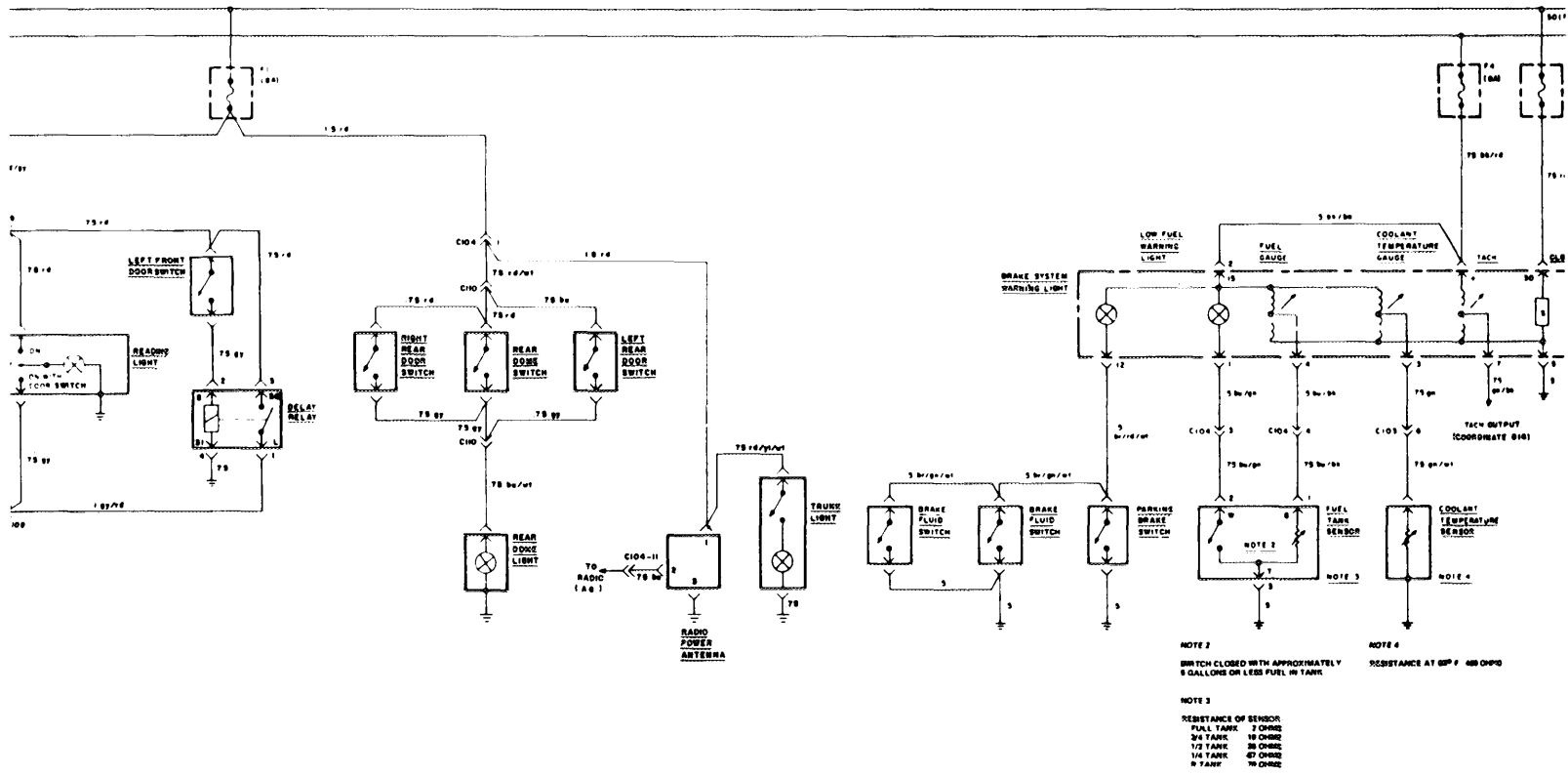


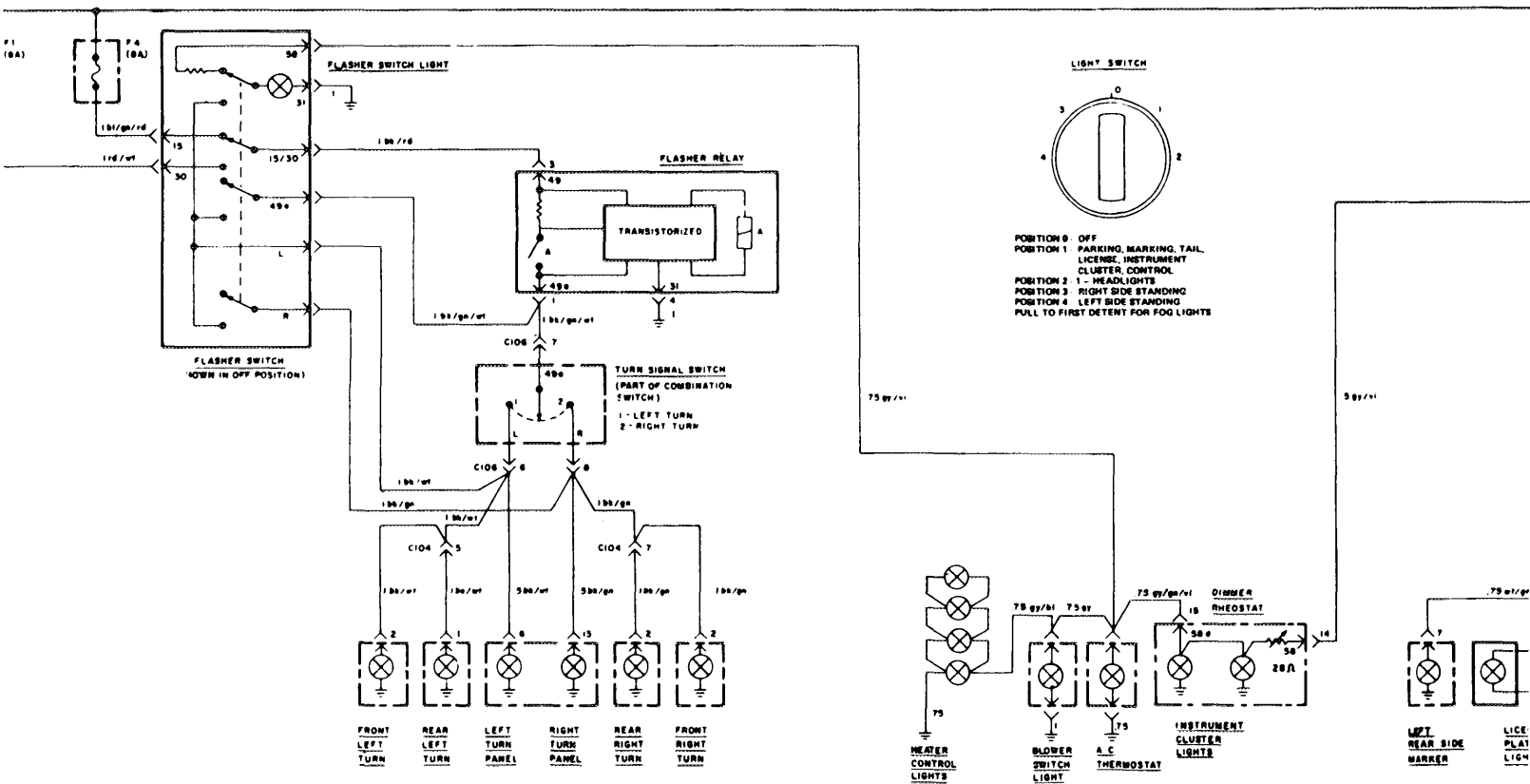
LIGHTER — CHARGE — START — IGNITION SYSTEM



7 — 8 — 9 — 10 — 11 — 12

INTERIOR LIGHTS — POWER ANTENNA — TRUNK LIGHT — INSTRUMENT CLUSTER





12 | 13 | 14 | 15 | 16 | 17

COMPONENT INDEX

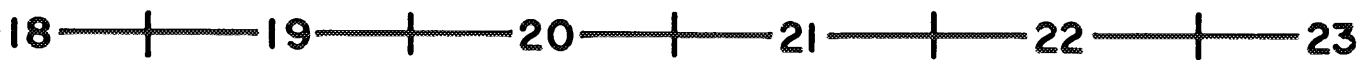
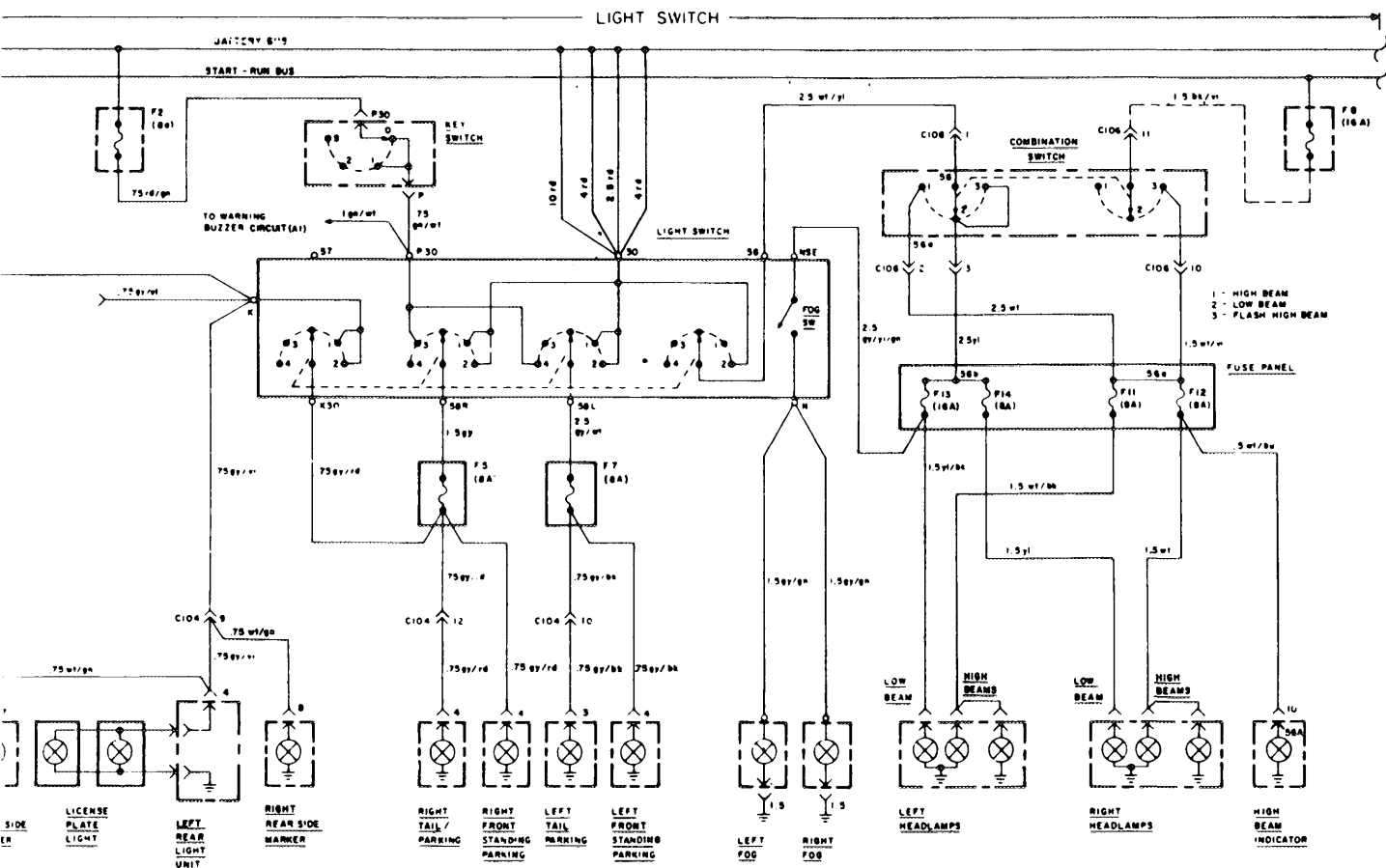
SYSTEM / COMPONENT	LOCATION ON VEHICLE	LOC FIG NO	TERM FIG NO	SYSTEM / COMPONENT	LOCATION ON VEHICLE	LOC FIG NO	TERM FIG NO
CHARGE Regulator	Alternator			TRUNK LIGHT C 104 (12 terminal)	Under dash, driver's side	1	T4
ELECTRIC WINDOWS Front seat switch Window relay — key 10 C 107 (6 terminal) C 108 (2 terminal)	Console Left kick panel Console Console	2	T8 T7 T2	TURN SIGNAL AND FLASHER Flasher relay C 104 (12 terminal) C 106 (14 terminal)	Under dash, driver's side Under dash, driver's side Under dash, driver's side	1 1 1	T4 T5
IGNITION SYSTEM Coil Distributor 4 Ohm preresistor 6 Ohm preresistor Transistorized ignition switching unit	Left inner fender Engine, top front Left inner fender Left inner fender Left inner fender	5 5 5 5 5					
INSTRUMENT CLUSTER Brake fluid switches Coolant temp sensor Fuel tank sensor Parking brake switch C 104 (12 terminal)	Brake cylinder reservoir neck Right rear cylinder head Below first aid kit well Top of parking brake Under dash, driver's side						
INTERIOR LIGHTS C 109 (2 terminal)	Under dash, driver's side						
LIGHT SWITCH C 104 (12 terminal) C 106 (14 terminal)	Under dash, driver's side Under dash, driver's side	1 1	T13 T4 T5				
POWER ANTENNA C 104 (12 terminal)	Under dash, driver's side	1	T4				
SELT BELT WARNING Ignition lock warning unit	Under dash, driver's side (brake pedal support)		T12				
SLIDING ROOF Motor	Near left trunk hinge						
START AC/Starter relay, key 4 C 105 (3 terminal)	Fuse box Under battery plate	4	T7				



- 1 — Turn signal
- 2 — Heated rear
- 4 — Reading light
- 6 — Interval wiper
- 7 — C 104
- 8 — C 106
- 9 — Cruise control
- 10 — C 118
- 11 — C 119
- 12 — C 120



- Key 8 — Auxilliary
- Key 5 — Change
- Key 6 — Auxilliary
- Key 10 — Window
- Key 19 — EGR/1



LOCATION FIGURES

1975 450



Fig 1
Turn signal flasher relay
Heated rear window delay relay
Reading light delay relay
Interval wipe relay
C 104
C 106
Cruise control amplifier
C 118
C 119
C 120



Fig 3
1 - Main relay fuel injection (Key 3)
2 - Antenna power connector

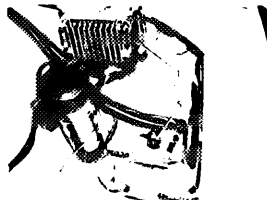


Fig 5
1 - Transistorized ignition switching unit
2 - Ignition coil
3 - 0.4 Ohm pre-resistance
4 - 0.6 Ohm pre-resistance

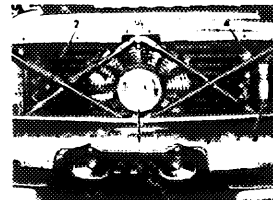


Fig 7
1 - Auxiliary fan
4 - Temperature switch

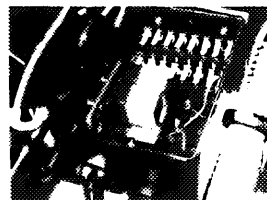


Fig 4
Key 1 - Fuel pump relay
Key 2 - Cold start valve relay
Key 4 - AC/Starter relay
5 - Radio fuse
Fuses

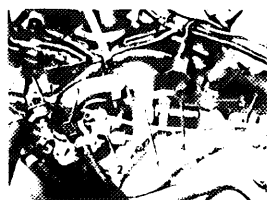


Fig 6
1 - Cold start valve
4 - Water temperature sensor
5 - Thermo time switch



Fig 8
1 - C 102 Impulse trigger connector

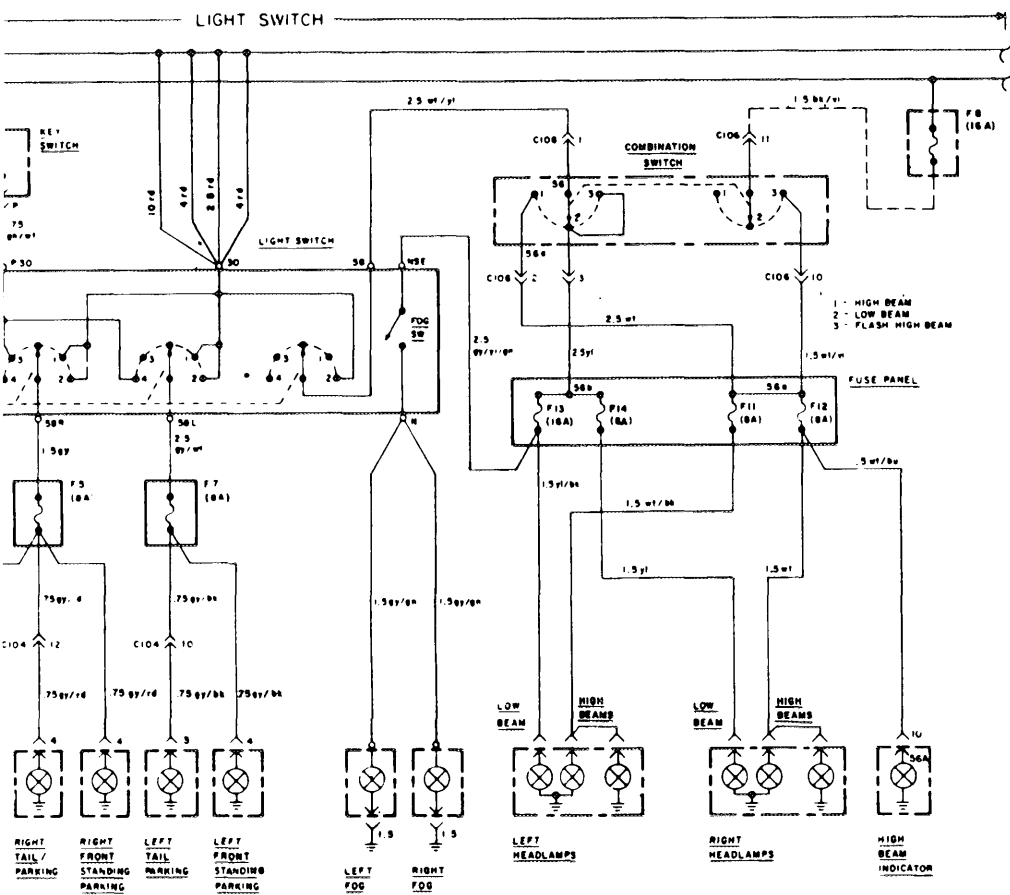


Fig 2
8 - Auxiliary fan cutout relay
5 - Change-over valve relay
6 - Auxiliary fan relay
10 - Window relay
19 - EGR/ignition advance relay



Fig 9
2 - Blower motor pre-resistors connector

- AIR CONDITIONING CONTROL
- AUXILIARY FAN
- BLOWER MOTOR CONTROL
- CHARGE-OVER VALVE
- CIGAR LIGHTER
- CLOCK
- COLD START
- COOLANT TEMPERATURE
- CRUISE CONTROL
- ENGINE EMISSION CONTROL
- FUEL GAUGE
- FUEL INJECTION
- FUEL PUMP
- HEATED REAR WINDOW
- HEATER CONTROL
- HORN
- HOT START
- IGNITION SYSTEM
- KICKDOWN
- LIGHT CIRCUITS
- AIR CONDITIONING 1
- BACKUP
- BRAKE
- BRAKE SYSTEM WARNING
- CONTROL
- FOG
- GLOVE BOX
- HEAD
- INSTRUMENT CLUSTER
- INTERIOR
- LOW FUEL WARNING
- MARKER
- PARKING
- STANDING
- TAIL
- TRUNK
- LIGHT SWITCH
- RADIO
- ANTENNA
- SEAT BELT WARNING
- SLIDING ROOF
- START
- TURN SIGNAL/FLASHER
- TACH
- WINDOWS
- WINDOW WIPER/WASHER
- POWER BUS DETAILS
- SPECIAL GROUNDING CIRCUITS



A
B
C
D



LOCATION FIGURES

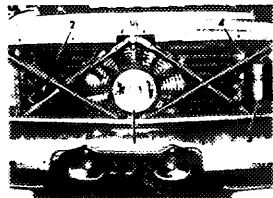
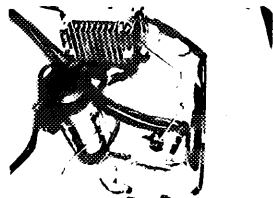
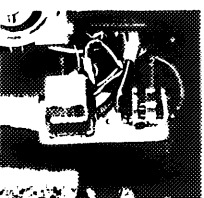


Fig 3
Relay fuel injection (Key 3)
antenna power connector

Fig 5
1 - Transistorized ignition switching unit
2 - Ignition coil
3 - 0.4 Ohm pre-resistance
4 - 0.6 Ohm pre-resistance

Fig 7
1 - Auxiliary fan
4 - Temperature switch

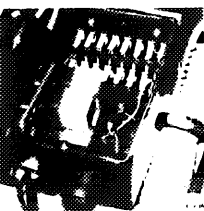


Fig 4
Fuel pump relay
Cold start valve relay
AC/ Starter relay
Radio fuse
Fuses

Fig 5
1 - Cold start valve
4 - Water temperature sensor
5 - Thermo time switch

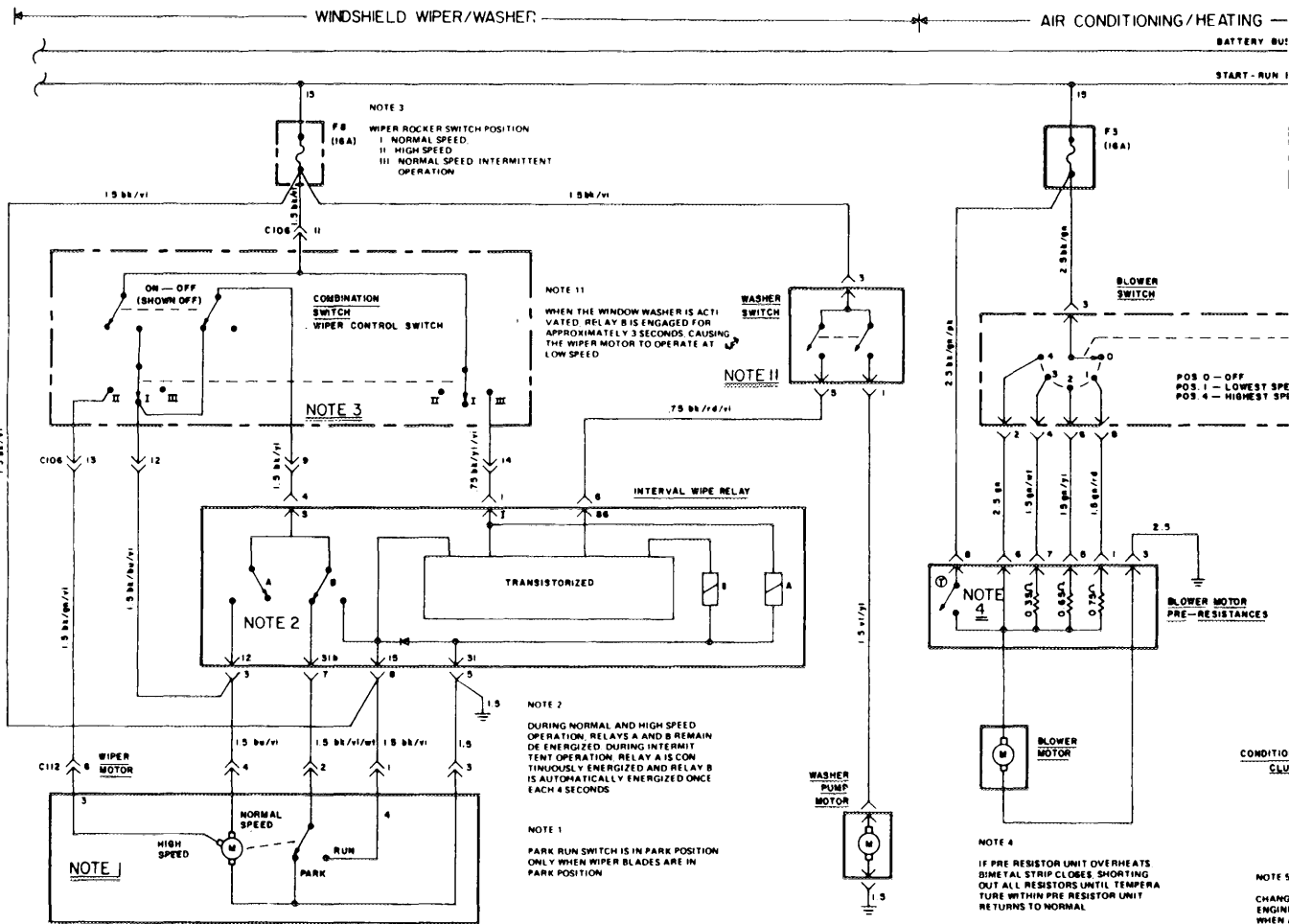
Fig 8
1 - C 102 Impulse trigger connector



Fig 9
2 - Blower motor pre-resistors connector

1975 450 SE/SEL

AIR CONDITIONING CONTROL	K6
AUXILIARY FAN	L9
BLOWER MOTOR CONTROL	K6
CHARGE	CR
CHANGE-OVER VALVE	M7
CIGAR LIGHTER	C6
CLOCK	F14
COLD START	M14
COOLANT TEMPERATURE GAUGE	F13
CRUISE CONTROL	R3
ENGINE EMISSION CONTROL	L15
FUEL GAUGE	G13
FUEL INJECTION	K10/ R10
FUEL PUMP	L12
HEATED REAR WINDOW	R5
HEATER CONTROL	K6
HORNS	L16
HOT START	L11
IGNITION SYSTEM	C11
KICKDOWN	R6
LIGHT CIRCUITS	
AIR CONDITIONING THERMOSTAT	D16
BACKUP	S7
BRAKE	S2
BRAKE SYSTEM WARNING	F13
CONTROL	D16
FOG	D21
GLOVE BOX	R1
HEAD	D21
INTERIOR CLUSTER	D17
INTERIOR	G1
LOW FUEL WARNING	F13
MARKER	D19
PARKING	D20
STANDING	D20
TAIL	D20
TRUNK	H11
LIGHT SWITCH	B21
RADIO	C4
ANTENNA	H10
SEAT BELT WARNING	C2
SLIDING ROOF	G1
START	C4/ C9
TURN SIGNAL/FLASHER	B13
TACH	F14
WINDOWS	G4
WINDSHIELD WIPER/WASHER	L3
POWER BUS DETAILS	L18
SPECIAL GROUNDING CIRCUITS	L21



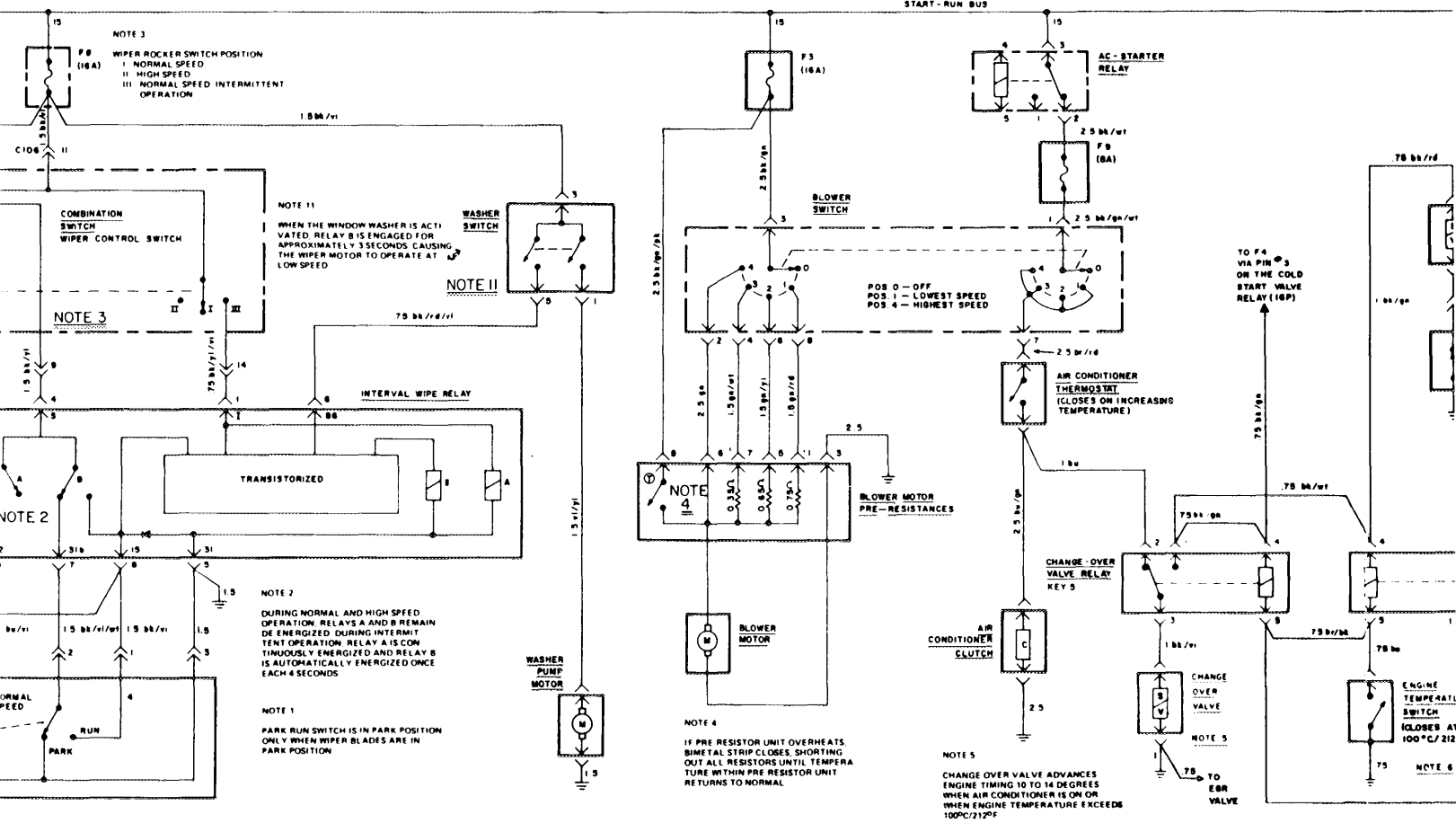
COMPONENT INDEX

SYSTEM/ COMPONENT	LOCATION ON VEHICLE	LOC FIG NO	TERM FIG NO	SYSTEM/ COMPONENT	LOCATION ON VEHICLE	LOC FIG NO	TERM FIG NO
AIR CONDITIONING/HEATING AC/Starter relay (key 4) Blower motor pre-resistances Blower motor	Fuse box Right side firewall Under dash, behind glove box	4 9	T7	ENGINE EMISSION CONTROL EGR/Ignition advance relay (key 19)	Left kick panel	2	T7
AUXILIARY FAN Air injection switch-over valve (bu) Air injection temp. switch Auxiliary fan cut-out relay (key 8) Engine temperature switch Auxiliary fan relay (key 6) Temperature switch — refrigerant	Center Firewall Oil filter mount Left kick panel Engine top front Left kick panel Receiver — dryer	7 2 2 7	T7	FUEL INJECTION Throttle valve switch Air temp. sensor C 102 (6 terminal)	Right side throttle housing Air cleaner inlet Engine, top front	13 10 8	T2
BACKUP LIGHTS Switch C 104 (12 terminal)	Left side transmission Under dash, driver's side	1	T4	FUEL PUMP Main relay, fuel inj. (key 3) Fuel pump relay (key 1) Fuel pump C 103 (6 terminal) C 104 (12 terminal)	Under dash, pass. side Fuse box Behind right rear axle Under dash, pass. side Under dash, driver's side	3 4 1	T7 T7 T4
BRAKE LIGHTS Switch C 104 (12 terminal)	Top of brake pedal Under dash, driver's side	1	T4	FUEL INJECTION Intake manifold sensor		11	
CHANGE OVER VALVE Change-over valve relay Change-over valve (yellow)	Left kick panel Center firewall	2	T7	FUSES	Fuse box	4	
COLD START AC/Start relay — key 4 Cold start valve relay — key 2 Cold start valve Thermo time switch	Fuse box Fuse box Engine, top Engine, top	4 4 6 6		HEATED REAR WINDOW Heated rear window delay relay C 123	Under dash, driver's side Behind rear seat, left side	1	T14
CRUISE CONTROL Amplifier Speed sensor	Under dash, driver's side Under dash, driver's side — speedometer cable			HORNS C 106 (14 terminal)	Under dash, driver's side	1	T5
Throttle actuator C 118 C 119 C 120	Right fender, near hood spring	1 1 1		HOT START Hot start relay	Under dash, pass. side of console Engine, top Under dash, pass. side	6	T2
				KICKDOWN SWITCH Kickdown switch Automatic transmission solenoid valve	Under accelerator pedal Right side of transmission		
				WINDSHIELD WIPER/WASHER Interval wipe relay Washer pump motor Wiper motor	Under dash, driver's side Below battery Under dash, behind console	1	T10



J
K
L
M

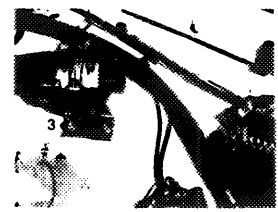
N
P
R
S



COMPONENT INDEX

LOCATION FIG

LOCATION ON VEHICLE	LOC FIG NO	TERM FIG NO	SYSTEM/ COMPONENT	LOCATION ON VEHICLE	LOC FIG NO	TERM FIG NO
Engine box	4	T7	ENGINE EMISSION CONTROL	Left kick panel	2	T7
Right side firewall	9		EGR/Ignition advance relay (key 19)	Center firewall		
Under dash, behind glove box			EGR switch-over valve (red)	Left rear cylinder head		
Under Firewall	7		EGR temperature switch			
Filter mount			FUEL INJECTION			
Under kick panel	2	T7	Throttle valve switch	Right side throttle housing	13	
Under top front	12		Air temp sensor	Air cleaner inlet	10	
Under kick panel	2	T7	C 102 (6 terminal)	Engine, top front	8	T2
Under dash, driver's side	7		FUEL PUMP			
			Main relay, fuel inj (key 3)	Under dash, pass side	3	T7
			Fuel pump relay (key 1)	Fuse box	4	T7
			Fuel pump	Behind right rear axle		
			C 103 (6 terminal)	Under dash, pass side		T2
			C 104 (12 terminal)	Under dash, driver's side	1	T4
Under side transmission	1	T4	FUEL INJECTION			
Under dash, driver's side			Intake manifold sensor		11	
Under of brake pedal	1	T4	FUSES	Fuse box	4	
Under dash, driver's side			HEATED REAR WINDOW			
Under kick panel	2	T7	Heated rear window delay relay	Under dash, driver's side	1	T14
Under firewall			C 123	Behind rear seat, left side		
Under box	4		HORNS			
Under box	4		C 106 (14 terminal)	Under dash, driver's side	1	T5
Under dash, top	6		HOT START			
Under dash, top			Hot start relay	Under dash, pass side of console		
Under dash, driver's side			Water temp sensor	Engine, top	6	T2
Under dash, driver's side			C 103 (6 terminal)	Under dash, pass side		
Under hoodmeter cable	1		KICKDOWN SWITCH			
Under fender, near hood spring	1		Kickdown switch	Under accelerator pedal		
	1		Automatic transmission solenoid valve	Right side of transmission		
	1		WINDSHIELD WIPER/WASHER			
			Interval wipe relay	Under dash, driver's side	1	T10
			Washer pump motor	Below battery		
			Wiper motor	Under dash, behind console		

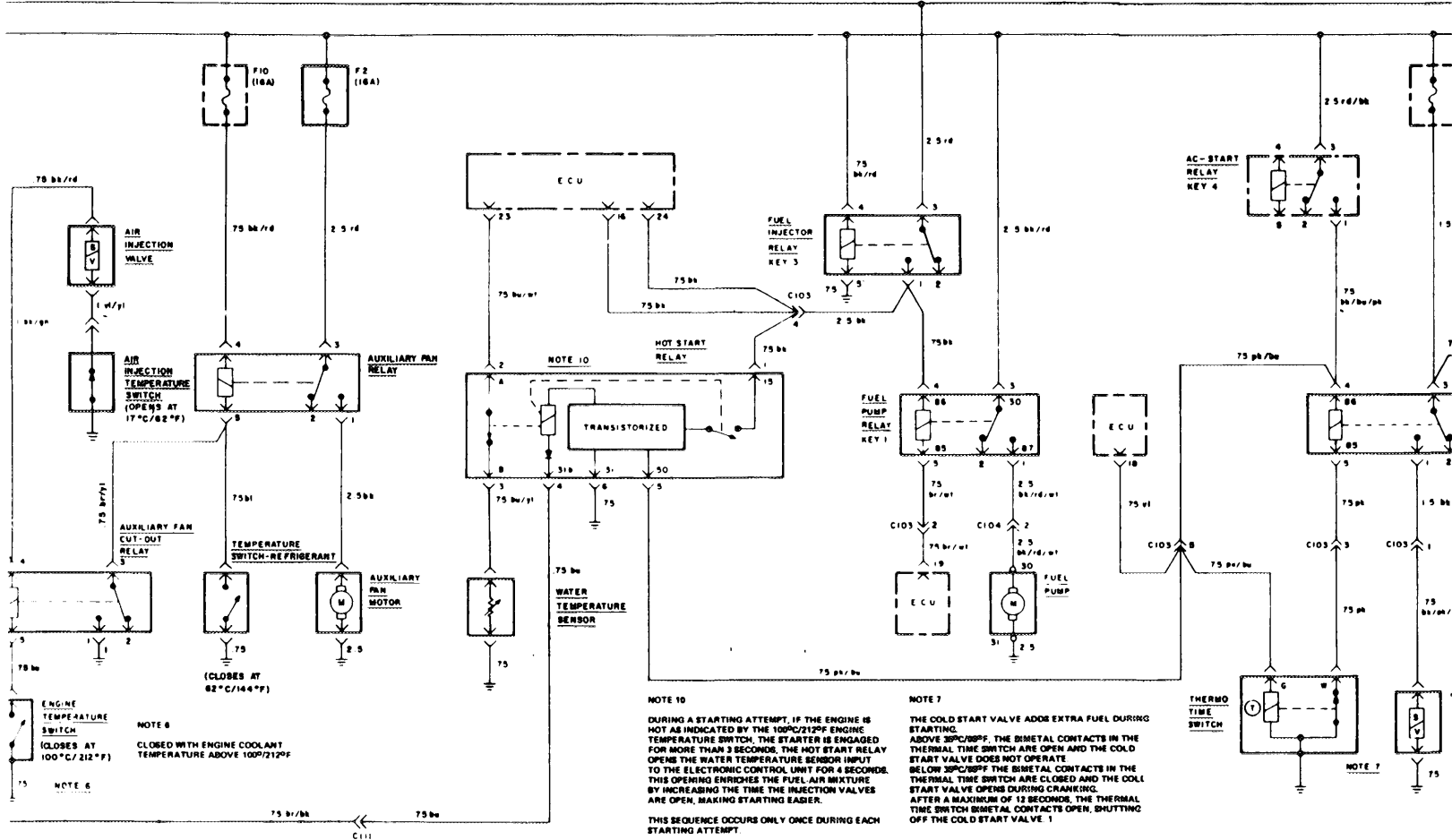


AUXILIARY FAN

HOT START

FUEL PUMP

COLD START



NOTE 6

NOTE 8
CLOSED WITH ENGINE COOLANT TEMPERATURE ABOVE 100°/212° F

NOTE 10

DURING A STARTING ATTEMPT, IF THE ENGINE IS HOT AS INDICATED BY THE 100°/212° F ENGINE TEMPERATURE SWITCH, THE STARTER IS ENGAGED FOR MORE THAN 3 SECONDS, THE HOT START RELAY OPENS THE WATER TEMPERATURE SENSOR INPUT TO THE ELECTRONIC CONTROL UNIT FOR 4 SECONDS. THIS OPENING ENRICHES THE FUEL AIR MIXTURE BY INCREASING THE TIME THE INJECTION VALVES ARE OPEN, MAKING STARTING EASIER. THIS SEQUENCE OCCURS ONLY ONCE DURING EACH STARTING ATTEMPT.

NOTE 7

THE COLD START VALVE ADDS EXTRA FUEL DURING STARTING. ABOVE 50°C/122°F, THE BIMETAL CONTACTS IN THE THERMAL TIME SWITCH ARE OPEN AND THE COLD START VALVE DOES NOT OPERATE. BELOW 50°C/122°F THE BIMETAL CONTACTS IN THE THERMAL TIME SWITCH ARE CLOSED AND THE COLD START VALVE OPENS DURING CRANKING. AFTER A MAXIMUM OF 12 SECONDS, THE THERMAL TIME SWITCH BIMETAL CONTACTS OPEN, SHUTTING OFF THE COLD START VALVE.



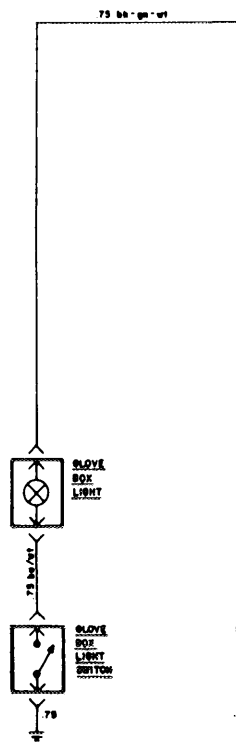
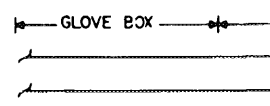
ION FIGURES

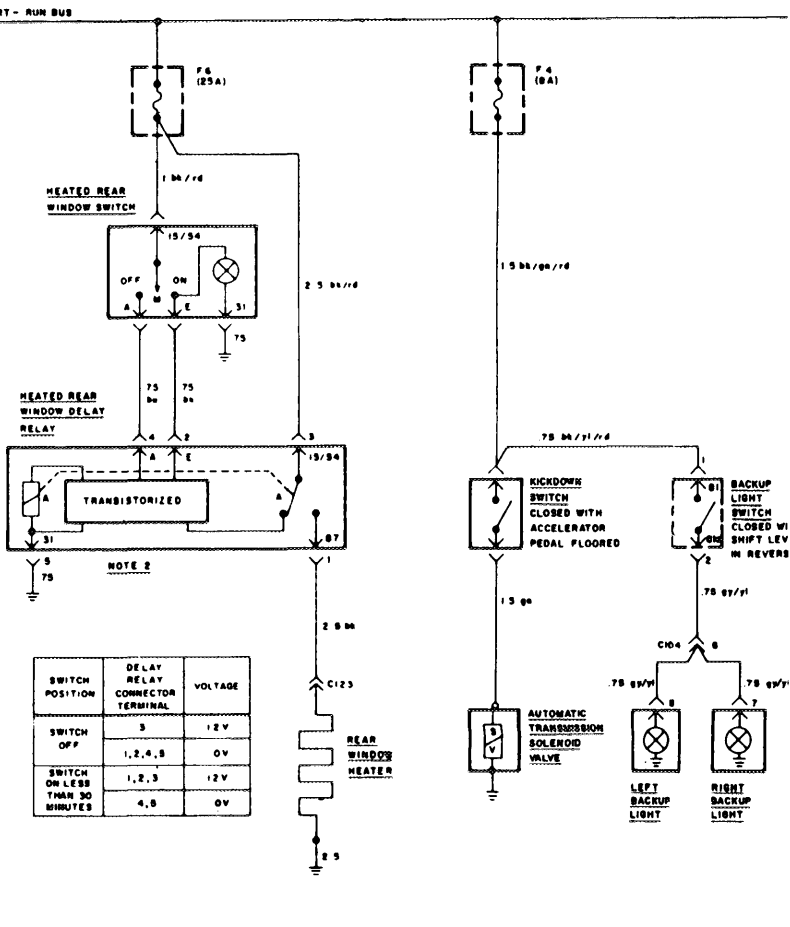
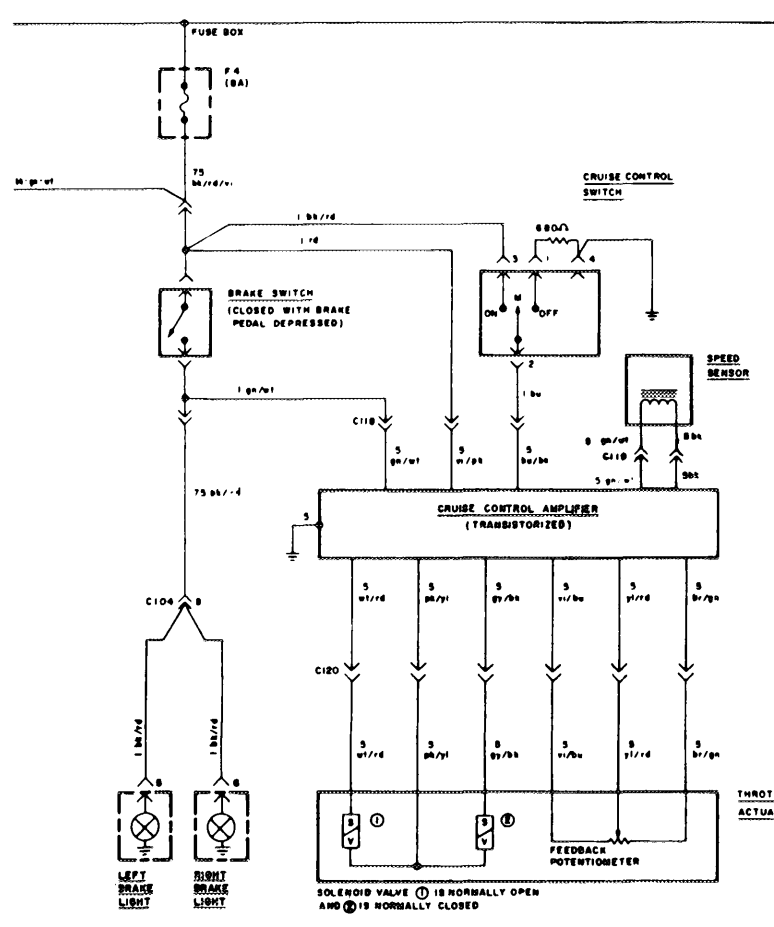
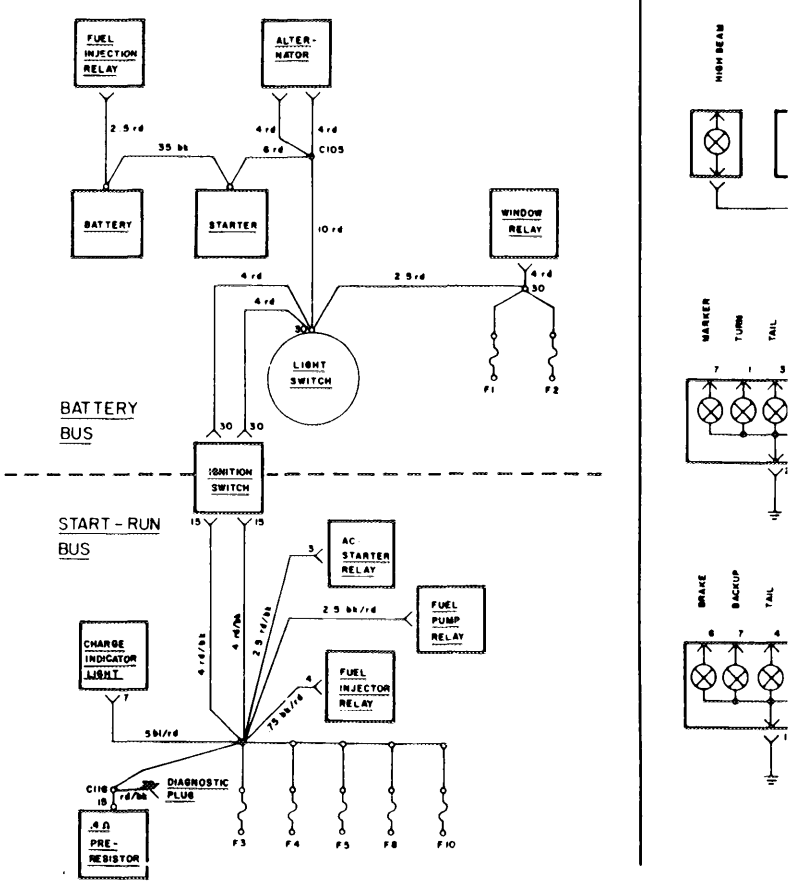
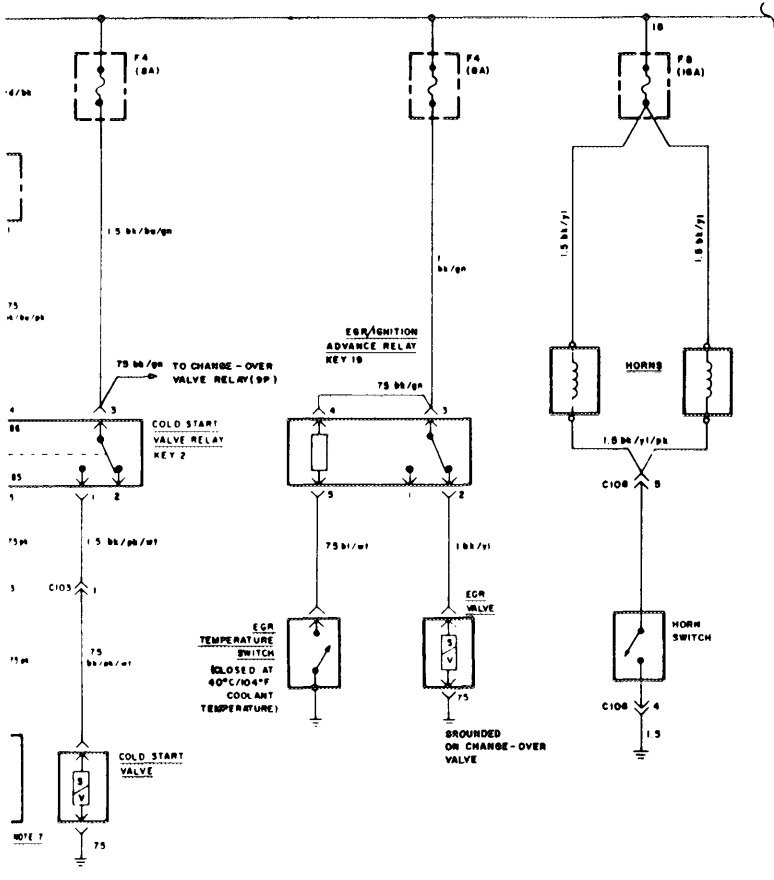
FUSE DATA

- Fuse 1 (8 amps)**
Clock
Flasher
Interior lights
Radio antenna
Trunk light
- Fuse 2 (8 amps)**
Auxiliary fan motor
Front standing parking lights
Key buzzer
Tail parking lights
- Fuse 3 (16 amps)**
Blower motor
- Fuse 4 (8 amps)**
Auxiliary fan cut-out relay
Backup light
Brake lights
Change-over valve relay
Cold start valve
Cruise control
EGR valve
Glove box light
Instrument cluster
Kickdown solenoid
Seat belt warning
Turn signal
- Fuse 5 (8 amps)**
A C thermostat illumination
Blower switch illumination
Flasher illumination
Front standing/parking (right)
License plate light
Rear side markers
Tail parking light
- Fuse 6 (25 amps)**
Cigar lighter
Heated rear window
- Fuse 7 (8 amps)**
Front standing parking light (left)
Tail parking light (left)
- Fuse 8 (16 amps)**
High beam indicator
Horns
Left and right high beams
Windshield wiper/washer
- Fuse 9 (8 amps)**
Air conditioner clutch
- Fuse 10 (8 amps)**
Auxiliary fan relay
Sliding roof
Window control
- Fuse 11 (8 amps)**
Left headlights, high beam
- Fuse 12 (8 amps)**
High beam indicator
Right headlights, high beam
- Fuse 13 (16 amps)**
Fog lights
Left headlight, low beam
- Fuse 14 (8 amps)**
Right headlight, low beam
- Fuse 15 (16 amps)**
Left rear window
Right front window
- Fuse 16 (16 amps)**
Left front window
Right rear window

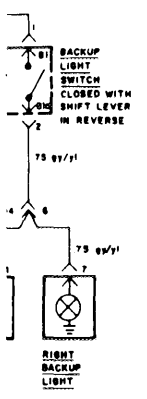
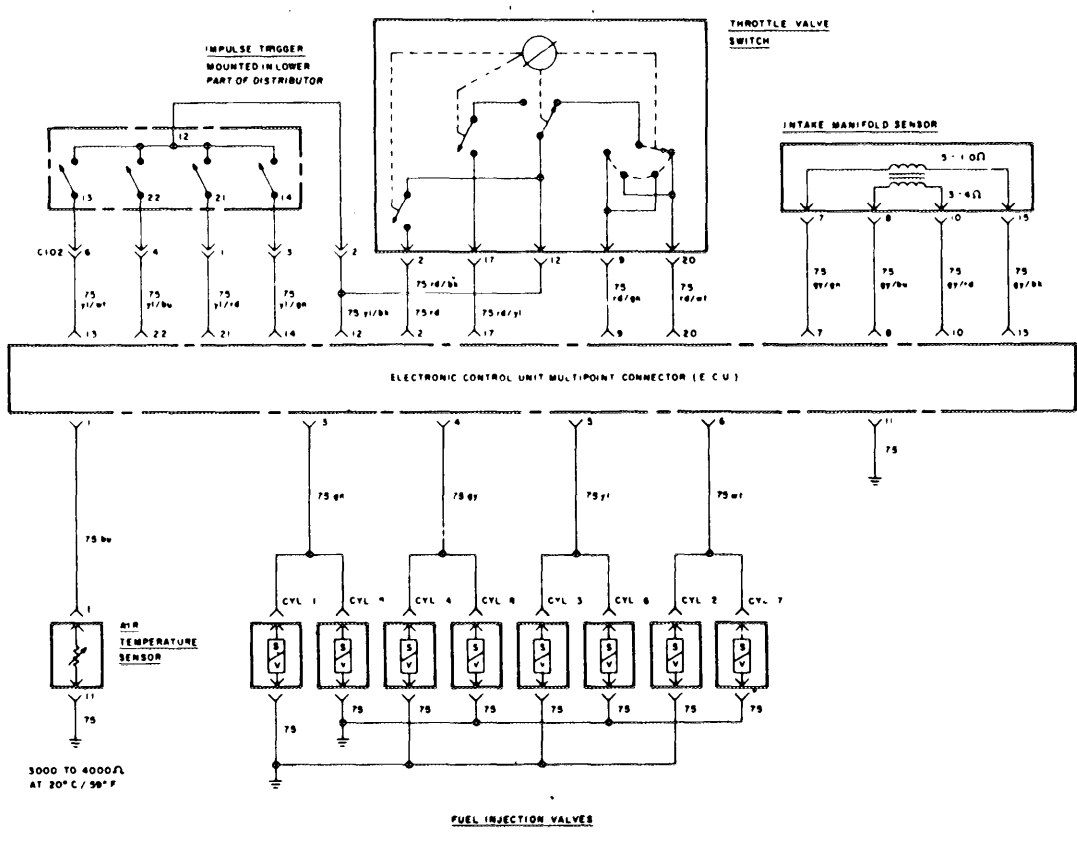
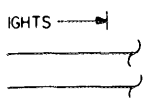
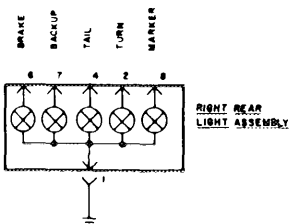
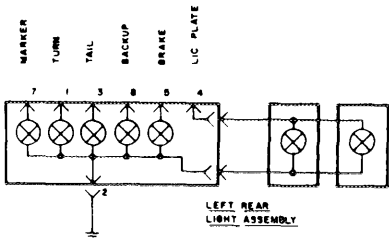
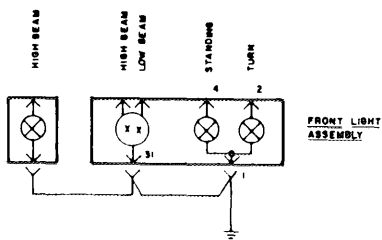
1975 450 SE/SEL

- AIR CONDITIONING CONTROL K6
- AUXILIARY FAN L9
- BLOWER MOTOR CONTROL K6
- CHARGE C8
- CHANGE-OVER VALVE M7
- CIGAR LIGHTER C6
- CLOCK F14
- COLD START M14
- COOLANT TEMPERATURE GAUGE F13
- CRUISE CONTROL R3
- ENGINE EMISSION CONTROL L15
- FUEL GAUGE G13
- FUEL INJECTION K10/R10
- FUEL PUMP L12
- HEATED REAR WINDOW R5
- HEATER CONTROL K6
- HORNS L16
- HOT START L11
- IGNITION SYSTEM C11
- KICKDOWN R6
- LIGHT CIRCUITS
- AIR CONDITIONING THERMOSTAT D16
- BACKUP S7
- BRAKE SYSTEM WARNING F13
- CONTROL D16
- FOG D21
- GLOVE BOX R1
- HEAD D23
- INSTRUMENT CLUSTER D17
- INTERIOR G8
- LOW FUEL WARNING F13
- MARKER D19
- PARKING D20
- STANDING D20
- TAIL D20
- TRUNK H11
- LIGHT SWITCH B21
- RADIO C4
- ANTENNA H10
- SEAT BELT WARNING C2
- SLIDING ROOF G1
- START C4/C9
- TURN SIGNAL/FLASHER B13
- TACH F14
- WINDOWS G4
- WINDSHIELD WIPER/WASHER L3
- SPECIAL GROUNDING CIRCUITS L21





SPECIAL GROUNDING CIRCUITS



J
K
L
M