

91–160 Removal and installation of armrest on driver's backrest

Special tool

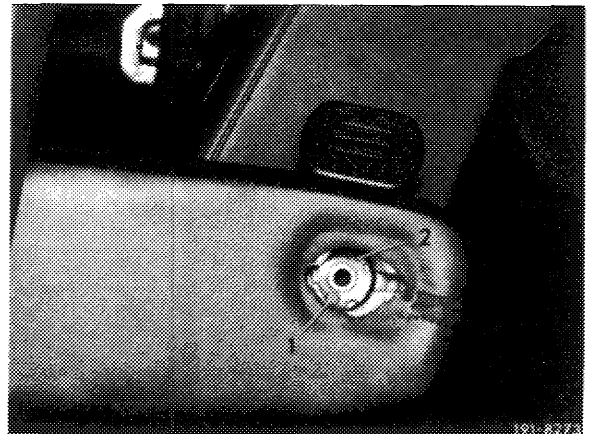
Socket wrench	115 589 04 07 00
---------------	------------------

Tightening torques

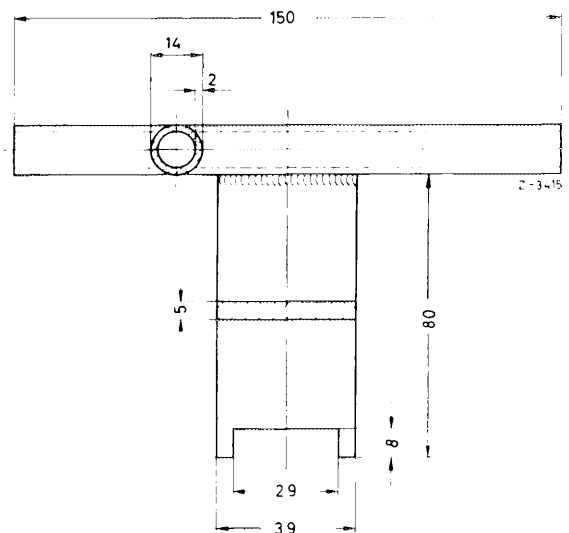
	Nm	(kpm)
Nut (2)	20	(2)
Locking screw (1)	7	(0.7)

Removal

- 1 Remove cover on armrest.
- 2 Unscrew locking screw (1) (SW 7).



- 3 Apply socket wrench or self-made assembly tool to screw nut (2) out of armrest bearing.
- 4 Remove armrest.



Installation

- 5 For installation proceed vice versa.

Assembly tool for armrest bearing