

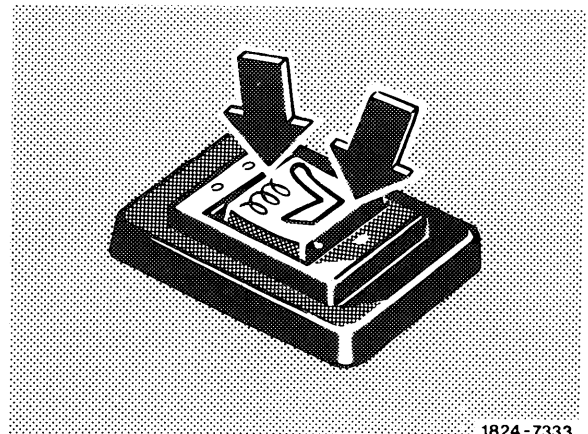
General

The seat heater of front seats can be switched on only in steering lock position 1 and 2, the rear seats only in steering lock position 2 by means of a pushbutton switch. With the seat heater switched on, an indicator lamp in pushbutton will light up. To protect the battery, do not switch on position ●● longer than absolutely necessary when the engine is stopped.

Pushbutton position center – seat heater switched off.

Pushbutton position ● – continuous operation.

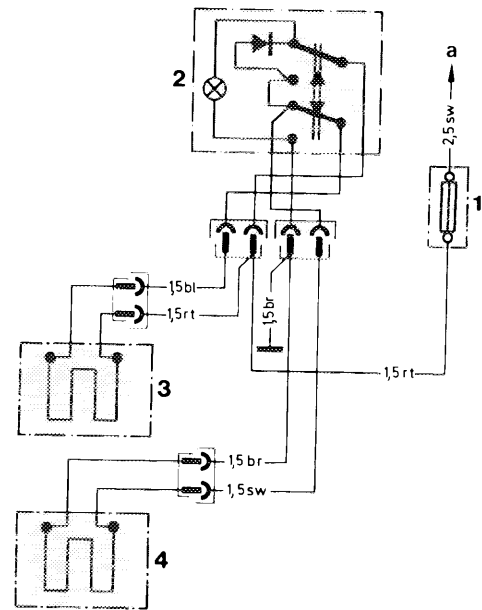
Pushbutton position ●● – fast heating up.



1824 - 7333

Electric function

In pushbutton position ● the two heating pads in seat are switched in line. The power input amounts to approx. 1.3 amps at 12 V battery voltage. The result is an electric output of approx. 15 W.



- 1 Fuse terminal 15/15 R
- 2 Pushbutton switch
- 3 Heating pad, seat
- 4 Heating pad, backrest
- a Connection terminal 15

1823-7827

In pushbutton position ●● the two heating pads in seat are connected in parallel. The power input amounts to approx. 5 A at 12 V battery voltage; the electric output amounts to approx. 60 W.

