

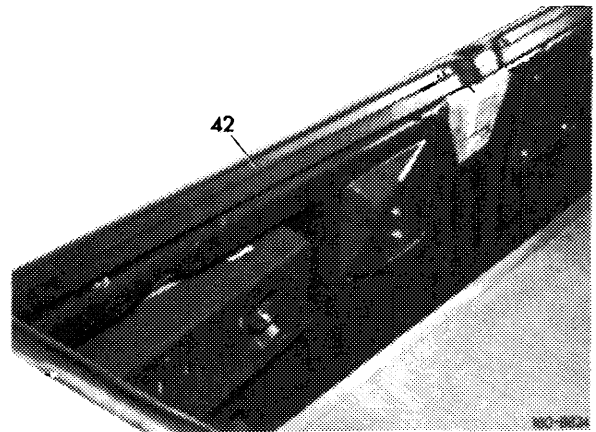
80–240 Removal and installation of vacuum element for trunk lid

Color code of vacuum lines for central interlock

Vacuum line	Color code	
	1st version	2nd version
Interlocking line (25)	white	yellow-red
Unlocking line (26)	black	yellow-green

Removal

1 Unscrew oval head screws of cover (42) and remove cover.

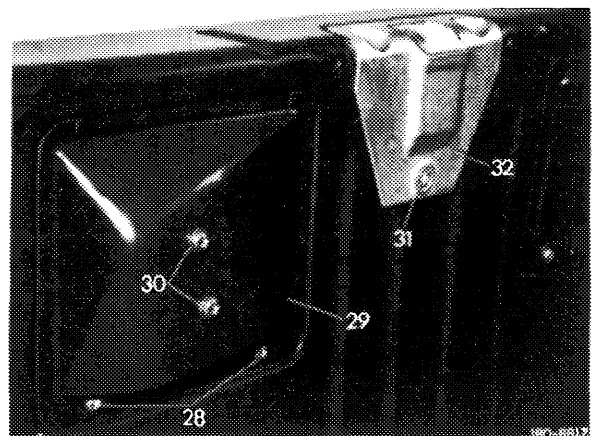


2 Unscrew oval head screws (28) of righthand cover rear center piece (29).

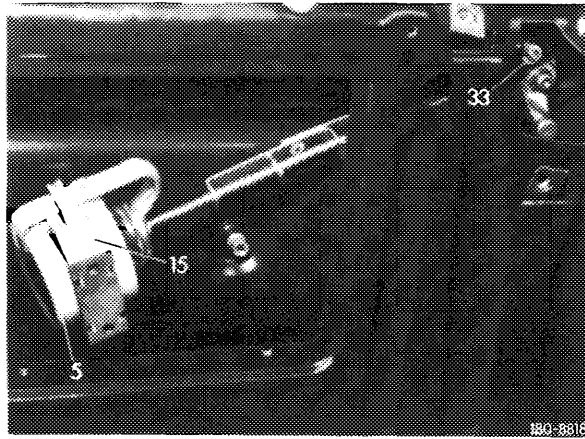
3 Unscrew oval head screws (30) for vacuum element.

4 Remove cover rear center piece.

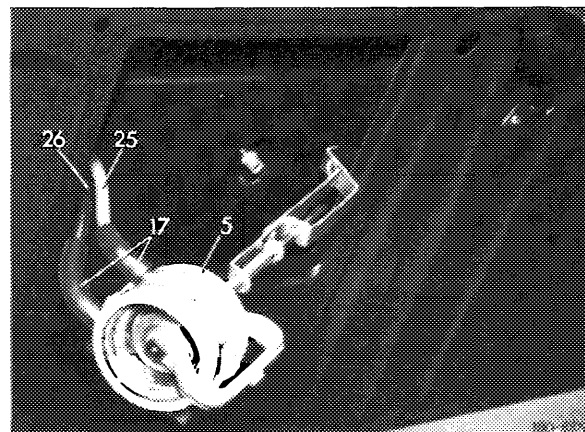
5 Unscrew countersunk screws (31) and remove lock body (32).



6 Remove locking ring (33) of control rod.

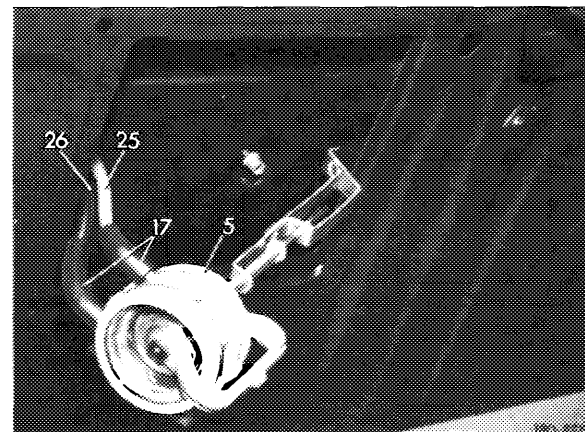


7 Pull out vacuum element (5) and pull connections (17) with interlocking line (25) and unlocking line (26) from vacuum element.

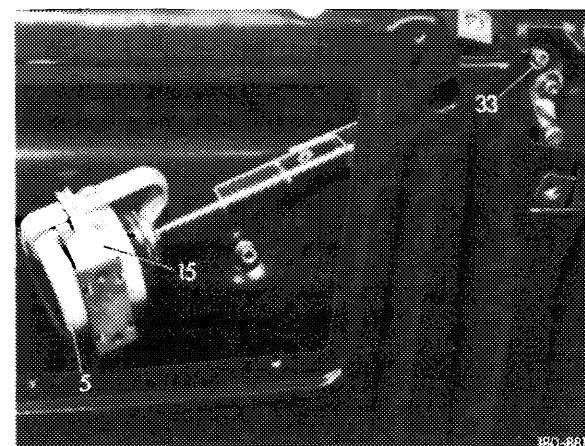


Installation

8 Slip interlocking line (25) and unlocking line (26) with connections (17) on vacuum element (5).



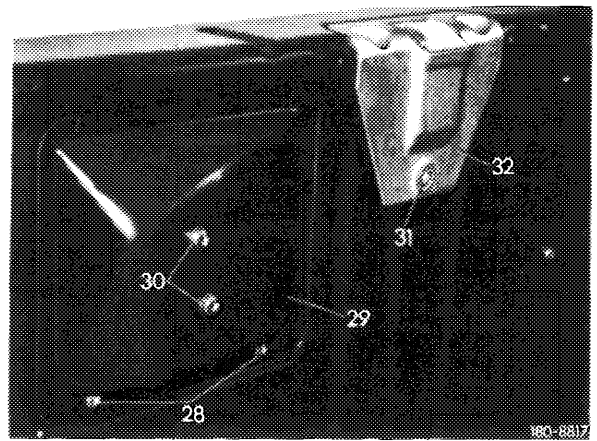
9 Introduce vacuum element into rear center piece, connect control rod and secure with locking ring (33).



10 Plug holding spring (15) on vacuum element (5) and screw to righthand cover rear center piece (29) with oval head screws (30).

11 Insert righthand cover rear center piece (29) and attach with oval head screws (28).

12 Insert lock body (32) and tighten countersunk screw (31).



13 Push cover (42) on rear center piece and attach with oval head screws.

