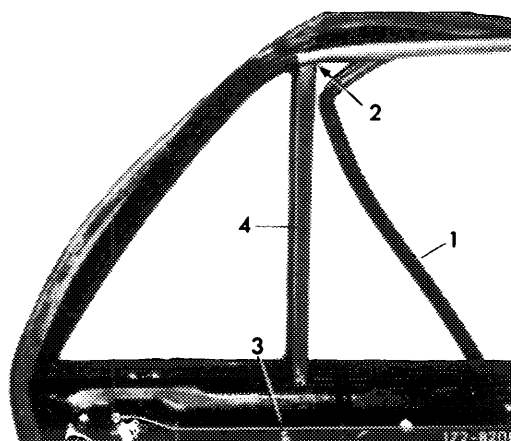


Removal

- 1 Remove door lining (72–100).
- 2 Disconnect window lifting arm on window lifting rail.
- 3 Push crank window completely down.
- 4 Remove sealing strip inside (72–160).
- 5 Remove sealing strip outside (72–170).
- 6 Remove flexible window running rail (1) in range of fixed window.
- 7 Pull down sealing frame and unscrew screws (2 and 3).
- 8 Remove window web (4).
- 9 Remove window with sealing frame.



Installation

- 10 For installation proceed vice versa.

Note: Seal side window in lower range with MB universal sealing compound part No. 003 989 01 71.