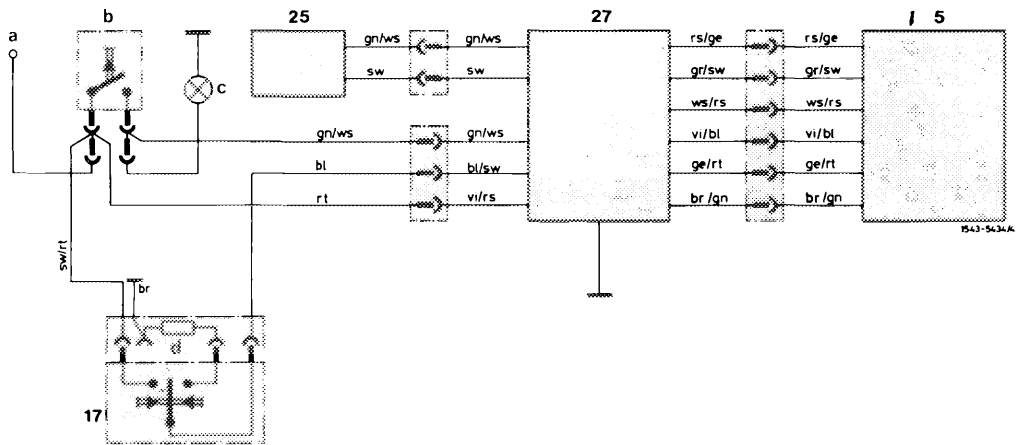


54—580 Wiring diagram



- | | | | |
|------------|-----------------|--------------------|---|
| 5 Actuator | 25 Sensor | a Terminal 15 | c Stop lamp |
| 17 Switch | 27 Control unit | b Stop lamp switch | d Resistor 680 Ω in 4-point plug for switch (17) |