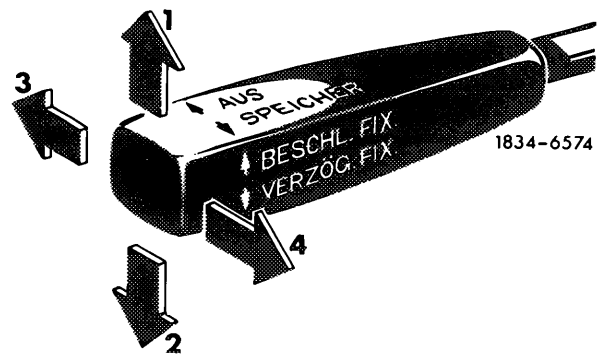


54–515 Checking switch

- 1 Check brake light for function.
- 2 Pull off 12-pole coupling on control unit, remove lefthand cover under instrument panel for this purpose.
- 3 Switch on ignition and complete test with voltmeter as follows.

Terminal on coupling of control unit	Position of switch	Nominal value
– to 12 + to 8	Rest position	> 11 V
– to 12 + to 8	3 (off)	0 V
– to 12 + to 5	Rest position	> 11 V
– to 12 + to 6	Actuate brake	> 11 V
– to 12 + to 9	1 (accelerate)	> 11 V
– to 12 + to 4	2 (decelerate)	> 11 V
– to 12 + to 10	4 (resume)	> 11 V



- 4 If the voltmeter does not indicate in rest position on terminal 12/8, check connection of line harness on stop light switch (5).
- 5 If connection is in order, renew switch (1) if indication is negative.

Wiring diagram

- | | |
|----------------|---------------------|
| 1 Switch | 3 Sensor |
| SP = resume | 4 Actuator |
| V = decelerate | 5 Stop light switch |
| A = off | 6 Stop light |
| B = accelerate | a Terminal 15 |
| 2 Control unit | |

