

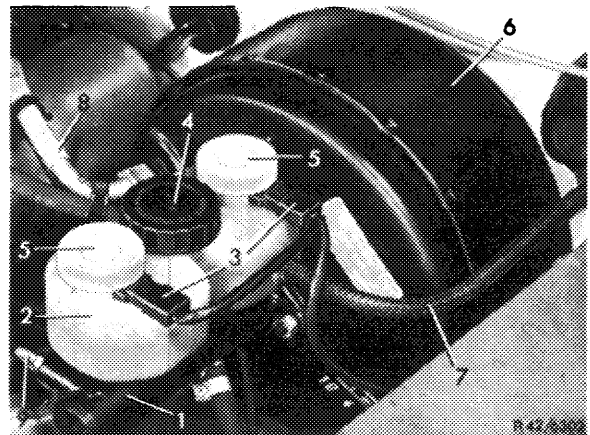
43–350 Removal and installation of brake unit

Data

Brake unit		Teves T 51/1802, Teves T 52/225 T
Diameter	inch	9
	mm	228.6
Boosting factor		approx. 4.5
Tightening torques		Nm
Hexagon nuts for mounting brake unit to front end		15
Coupling nut of vacuum line on brake unit		30

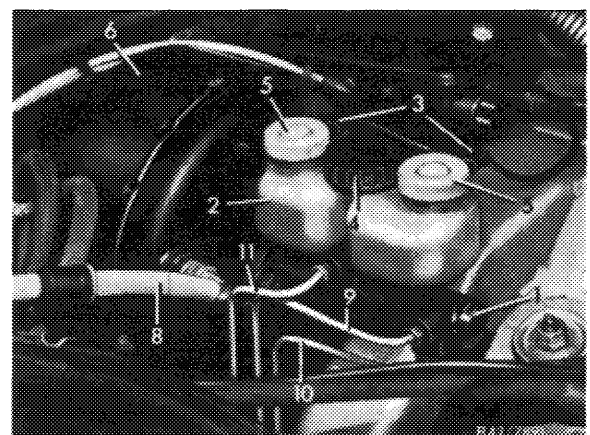
Removal

1 Take connecting hose (7) off of master cylinder for models with a manual transmission.



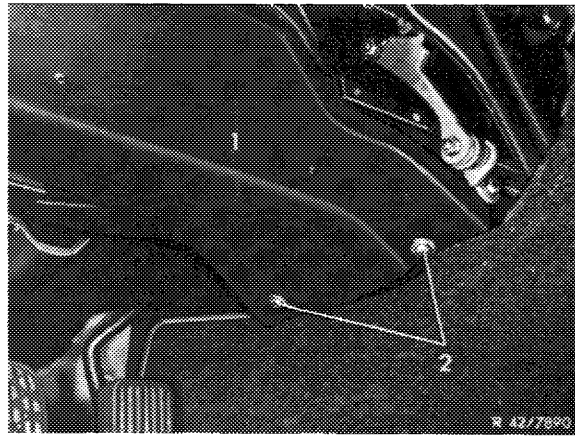
2 Remove tandem master cylinder (42–310).

3 Detach vacuum line (8) at brake unit (6).



4 Remove cover underneath instrument panel in footwell.

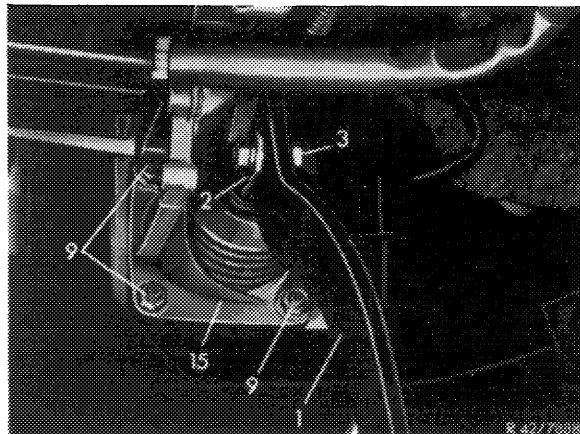
5 Remove air duct (1).



6 On first version, unscrew hex. screw (3) and remove bushing, on second version, remove lock (8) and pull out flange bolt (7), so that push rod (2) of brake booster on brake pedal is released.

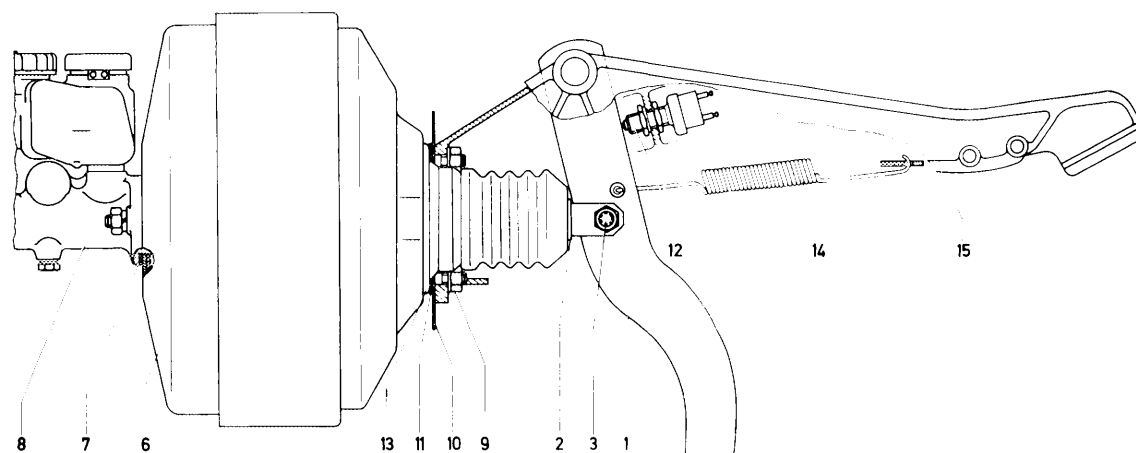
7 Unscrew hexagon nuts (9) for mounting brake unit at front end.

8 Remove brake unit.



Attention!

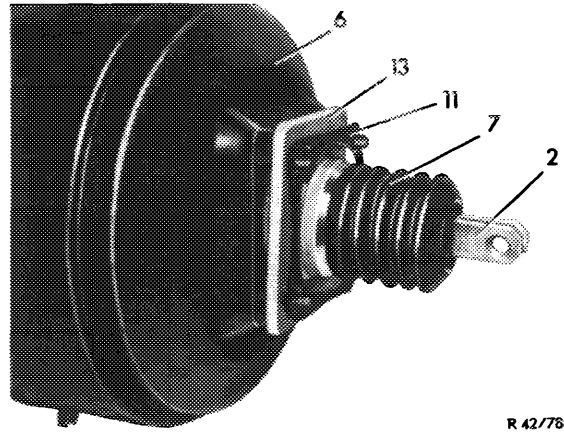
The control housing of brake unit is made of plastic and would break if not handled with care.



- 1 Brake pedal
- 2 Brake unit pressure rod
- 3 Hexagon head bolt with nut and lock washer
- 6 Brake unit
- 7 Sealing ring
- 8 Tandem master cylinder
- 9 Hexagon nut
- 10 Front end
- 11 Gasket
- 12 Stop light switch
- 13 Intermediate flange
- 14 Return spring
- 15 Carrier

Note: When installing brake unit make sure that rubber cup (7) is fastened correctly on pressure rod (2) and intermediate flange (13), and do not forget gasket (11).

Also check whether separate check valve is good. If in doubt, replace valve along with plastic lines (42-023).

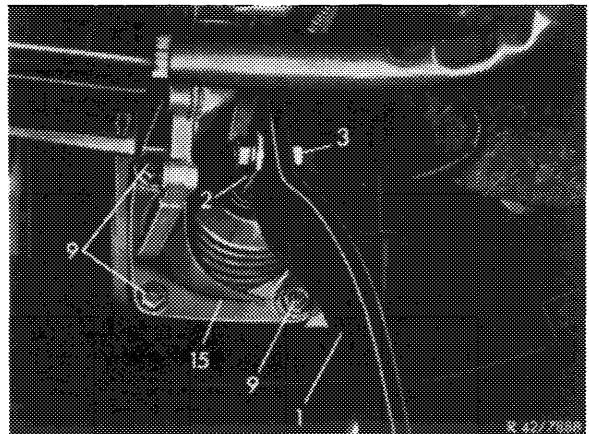


R 42/7887

Installation

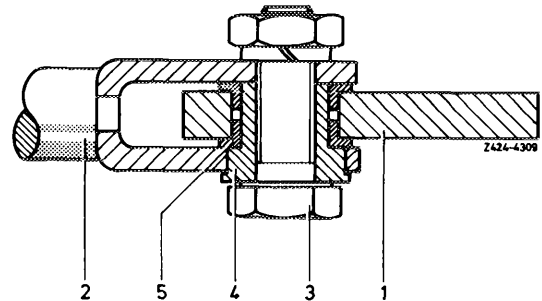
9 Attach brake booster to front end, tighten hex. nuts (9) to 15 Nm.

Note: Starting September 1979, the fork head of push rod on brake unit and the brake pedal have been modified. The hex. screw and the flange bushing used up to now have been replaced by a flange bolt of 8 mm dia. together with a lock.



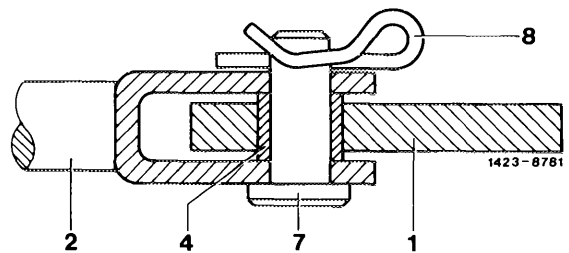
R 42/7888

10 On first version, attach pushrod (2) of brake unit (booster) with bushing (4) and hex. screw (3) to brake pedal (1).



1st version

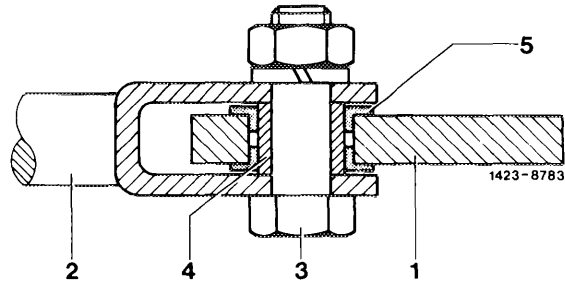
11 On 2nd version, starting September 1979, attach push rod (2) of brake unit with flange bolt (7) and lock (8) to brake pedal (1).



2nd version

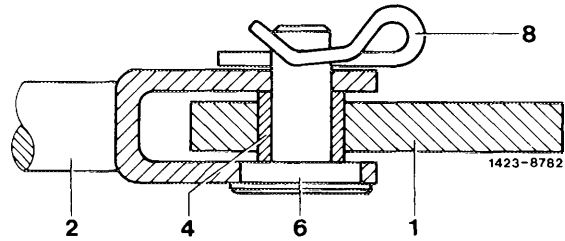
Attention!

When installing a brake unit with new fork head and old brake pedal, install bushing (4), part no. 123 292 01 50 additionally into lever (1). The hex. bolt (3) with snap ring and nut can be used again.



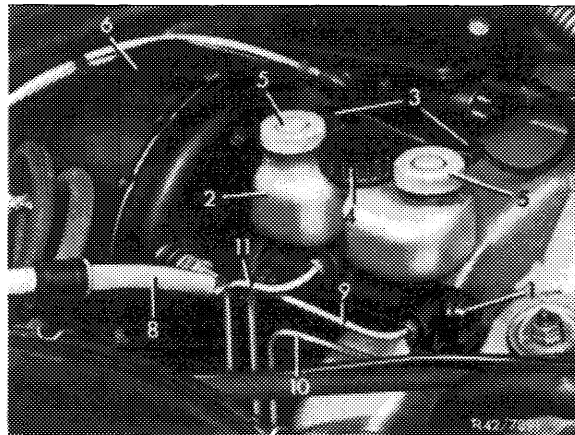
Fork head new,
brake pedal old

When using a new brake pedal and a brake unit with old fork head, install flange bolt (6), part no. 126 292 01 74 together with lock (8).



Brake pedal new,
fork head old

- 12 Install air duct.
- 13 Attach cover under instrument panel in legroom.
- 14 Connect vacuum line (8) to brake unit (6). Tighten coupling nut to 30 Nm.
- 15 Install tandem main cylinder (42-310).



- 16 On vehicles with manual transmission, plug connecting hose (7) for master cylinder to expansion tank.

