

42–530 Removal and installation of brake shoes of parking brake

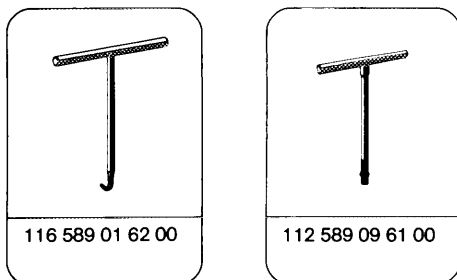
Data

Brake shoe dia.	160–0.2
Brake disk inside dia.	160 + 0.2
Brake shoe width	25

Lubricants

Molykote Paste U	Molykote Paste G Rapid	Liqui-Moly Paste 36
------------------	------------------------	---------------------

Special tools



116 589 01 62 00

112 589 09 61 00

Conventional tool

Allen wrench double hex, 1/2" square,
120 mm long

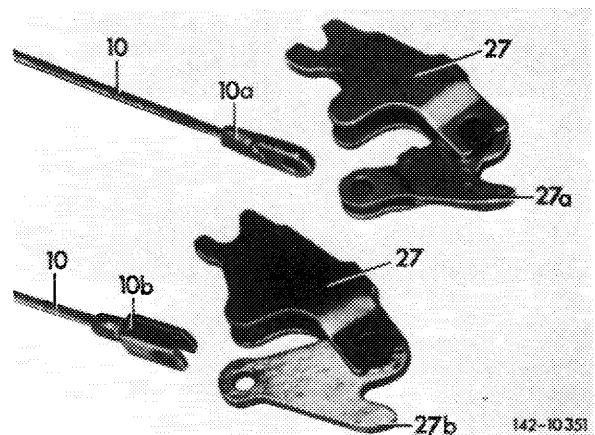
e.g. Stahlwille, D–5600 Wuppertal
Order No. 2054/8

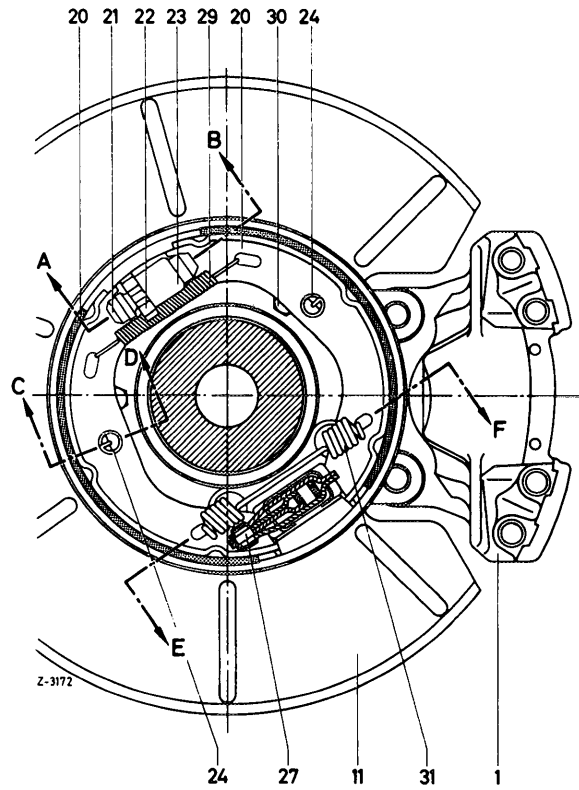
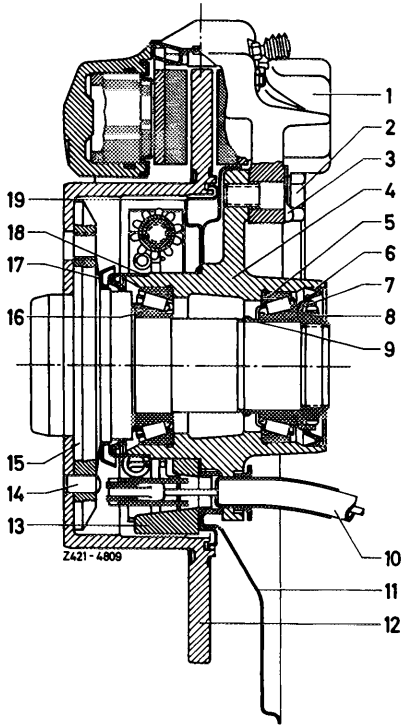
Note

Starting 1975 a modified expanding lock with solid draw plate is installed. This will change the rear brake cable control. The end piece is now designed as a fork head. The old and the new version of the expanding lock and the brake cable control cannot be interchanged.

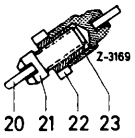
The 1st version spreader lock was not available since autumn of 1976.

- 10 Brake cable
- 10a Brake cable eye
- 10b Swivel-type end piece of brake cable
- 27 Spreader lock
- 27a Forked pull bar
- 27b Massive pull bar

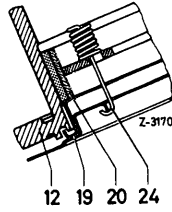




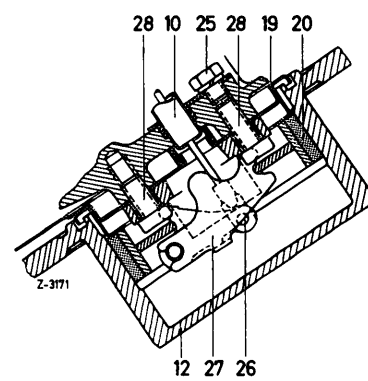
Schnitt A - B



Schnitt C - D

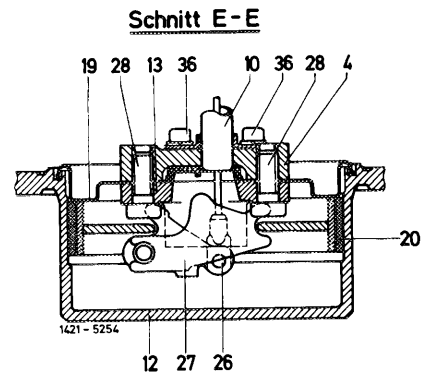
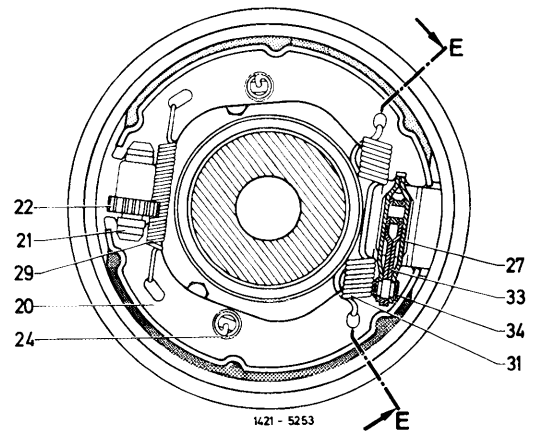
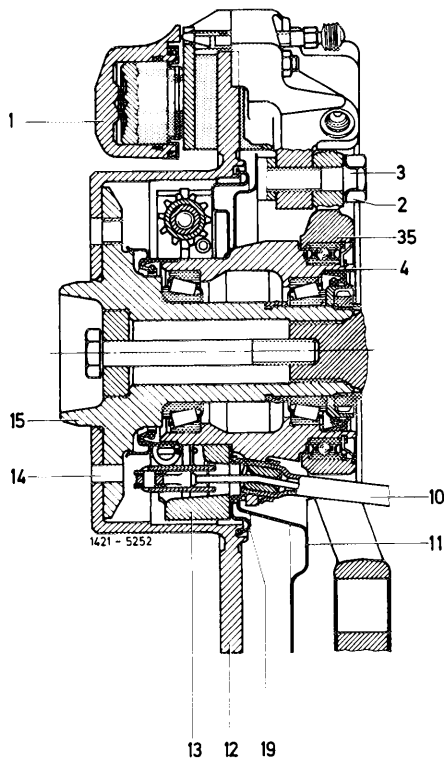


Schnitt E - F



Diagonal swing axle layout

- | | | | |
|------------------------------|-------------------------------|---------------------------------------|---------------------------------------|
| 1 Fixed caliper | 10 Brake cable | 19 Cover ring | 26 Bolt |
| 2 Hexagon | 11 Guard | 20 Brake shoes | 27 Spreader lock |
| 3 Lock plate | 12 Brake disk | 21 Pressure piece | 28 Socket head bolt |
| 4 Wheel carrier | 13 Brake anchor plate | 22 Adjusting wheel | 29 Upper return spring |
| 5 Inner taper roller bearing | 14 Dowel pin | 23 Pressure sleeve | 30 Hexagon head bolt with lock washer |
| 6 Inner radial oil seal | 15 Rear axle shaft flange | 24 Contact pressure spring | 31 Lower return spring |
| 7 Sealing ring | 16 Outer taper roller bearing | 25 Hexagon head bolt with lock washer | |
| 8 Slotted nut | 17 Dust cap | | |
| 9 Spacer | 18 Outer radial oil seal | | |

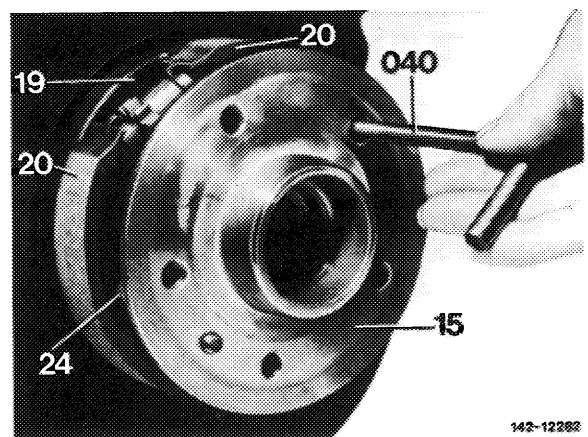


Diagonal swing axle with initial torque compensation layout

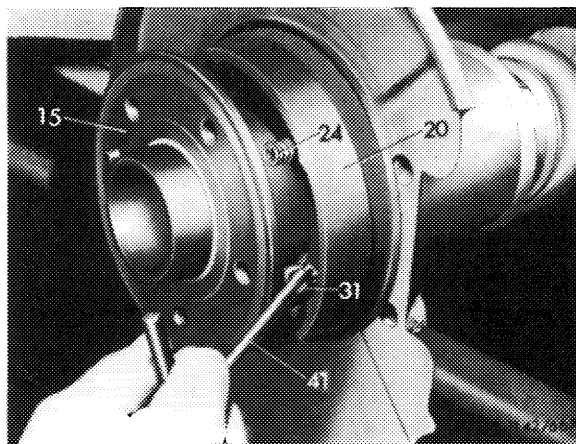
- | | | | |
|---------------------|---------------------------|----------------------------|--------------------------------------|
| 1 Fixed caliper | 13 Brake anchor plate | 23 Pressure sleeve | 31 Return spring |
| 2 Hexagon head bolt | 14 Dowel pin | 24 Contact pressure spring | 33 Operating lever |
| 3 Lock plate | 15 Rear axle shaft flange | 26 Bolt | 34 Pivot pin |
| 4 Wheel carrier | 19 Cover ring | 27 Pressure bar | 35 Caliper carrier |
| 10 Brake cable | 20 Brake shoes | 28 Socket head bolt | 36 Socket head bolt with lock washer |
| 11 Guard | 21 Pressure piece | 29 Return spring | |
| 12 Brake disc | 22 Adjusting wheel | | |

Removal

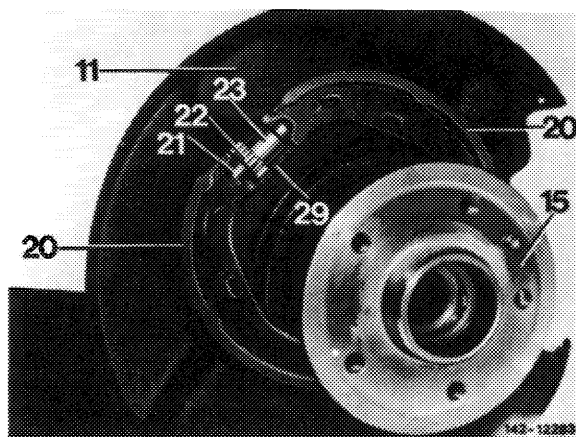
- 1 Remove brake disc (42-228).
- 2 Turn rear axle shaft flange (15) until one threaded hole faces spring (24). Now compress spring a little with installation tool (040), turn tool by approx. 90° finally detach spring at guard and remove.
- 3 Also remove springs on other brake shoes.



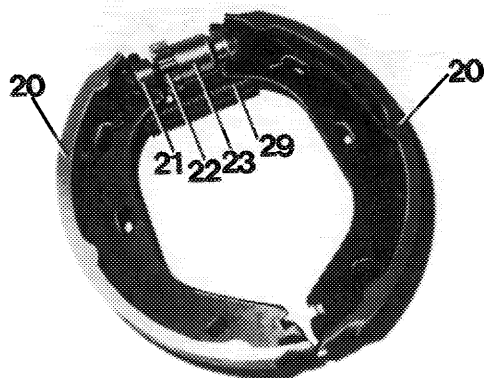
4 Detach return spring (31) from brake shoe (20) with removal and installation tool (41).



5 Pull both brake shoes (20) far enough apart, that they can be removed over rear axle shaft flange (15).



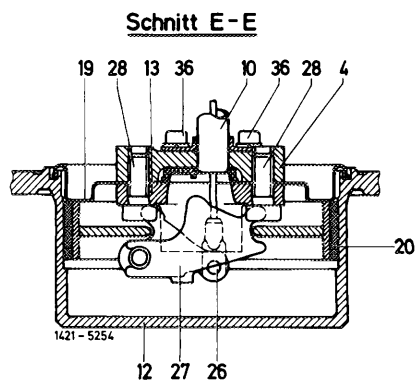
6 Detach return spring (29) from brake shoes (20) and remove adjusting device (21 through 23).



142-12284

7 Press bolt (26) off of spreader lock (27) and remove spreader lock from brake cable (10).

- 4 Wheel carrier
- 10 Brake cable
- 12 Brake disc
- 13 Brake anchor plate
- 19 Cover ring
- 20 Brake shoes
- 26 Bolt
- 27 Spreader lock
- 28 Socket head bolt
- 36 Socket head bolt with lock washer



Installation

8 Lubricate all bearing and sliding surfaces on spreader lock with specified lubricant (see table). Mount brake cable (10) on spreader lock (27) with bolt (26). Then press spreader lock to cover ring (19).

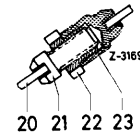
9 Check both hex socket screws for fastening brake carrier (13) for tightening torque 50 Nm.

Note: Self-locking hex socket screws will be installed starting October 1978. **Hex socket screws may be used only once.** Use a 7 mm hex or double hex socket wrench (Allen wrench) for tightening and release.

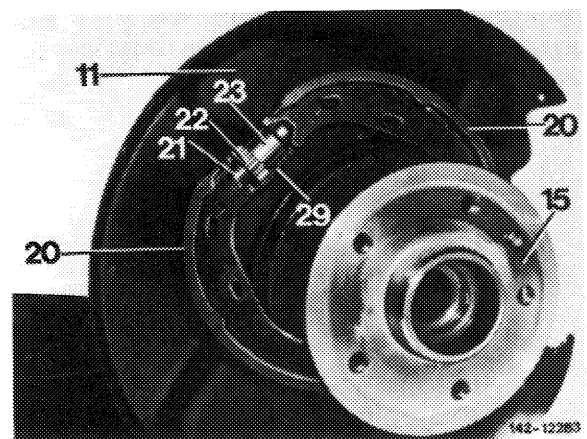
10 Lubricate threads of pressure piece (21) and cylindrical part of adjusting wheel (22) with specified lubricant (see table). Assemble adjusting device and turn it back all the way.

- 20 Brake shoe
- 21 Pressure piece
- 22 Adjusting wheel
- 23 Pressure sleeve

Schnitt A - B



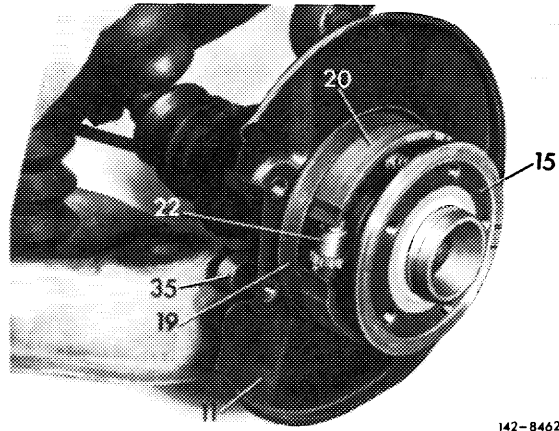
11 Install adjusting device (21 through 23) in both brake shoes, that adjusting wheel (22) of diagonal swing axle faces forward.



12 Adjusting wheel (22) of diagonal swing axle with starting torque compensation must face down.

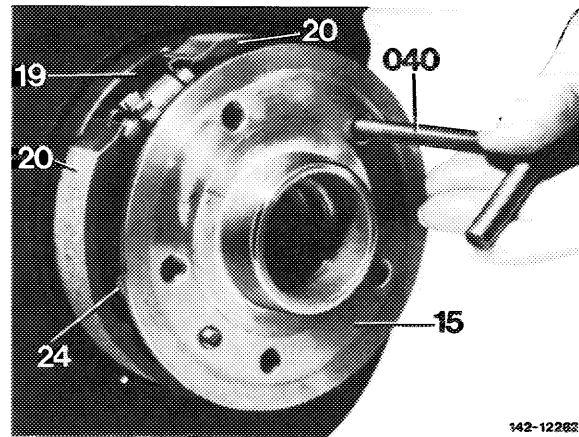
13 Attach return spring (29) in both brake shoes.

14 Pull brake shoes (20) apart, guide them over rear axle shaft flange (15) and attach them in spreader lock.



142-8462

15 Install spring (24) in brake shoes (20) from side. Run in installation tool (040) through one threaded hole of rear axle shaft flange (15), then compress spring a little, turn by 90° and attach in cover ring (19). Make sure that spring is attached correctly.



142-12262

16 Attach spring with small eye in brake shoes.

Note: The eyes of return springs are different. Large eye see arrow.



2-365

17 Attach removal and installation tool (41) in large eye of return spring (31), then attach return spring in other brake shoe (20).

18 Install brake disc (42-228).

19 Adjust parking brake (42-540).

