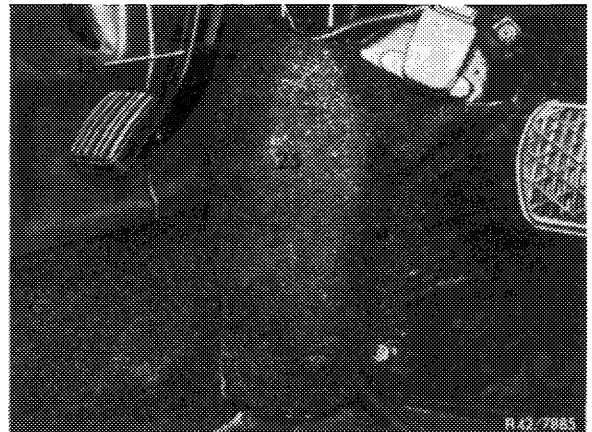
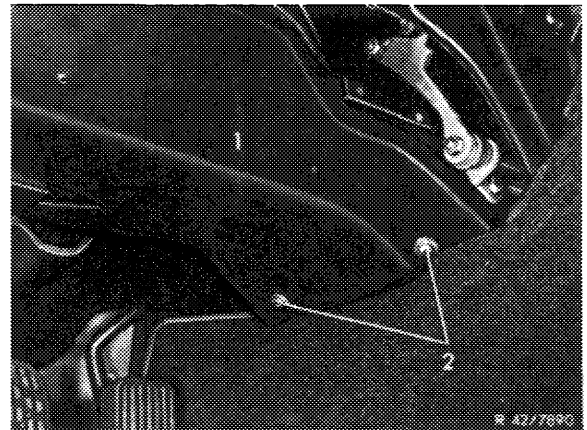


Removal

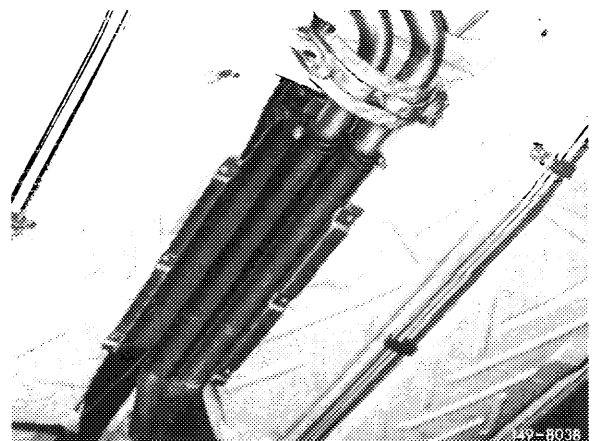
- 1 Take out foot mat.
- 2 Remove upper and lower footwell covers.



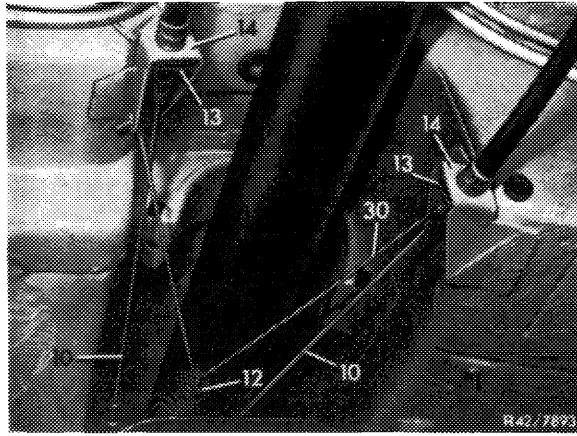
- 3 Remove air duct (1).



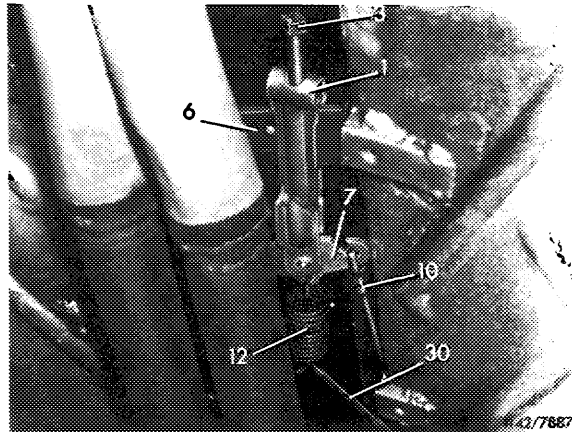
- 4 Detach rubber rings of exhaust suspension. Lower exhaust carefully and support.
- 5 Remove shield above exhaust pipes.



6 Detach return spring (12) at spring holder (30).

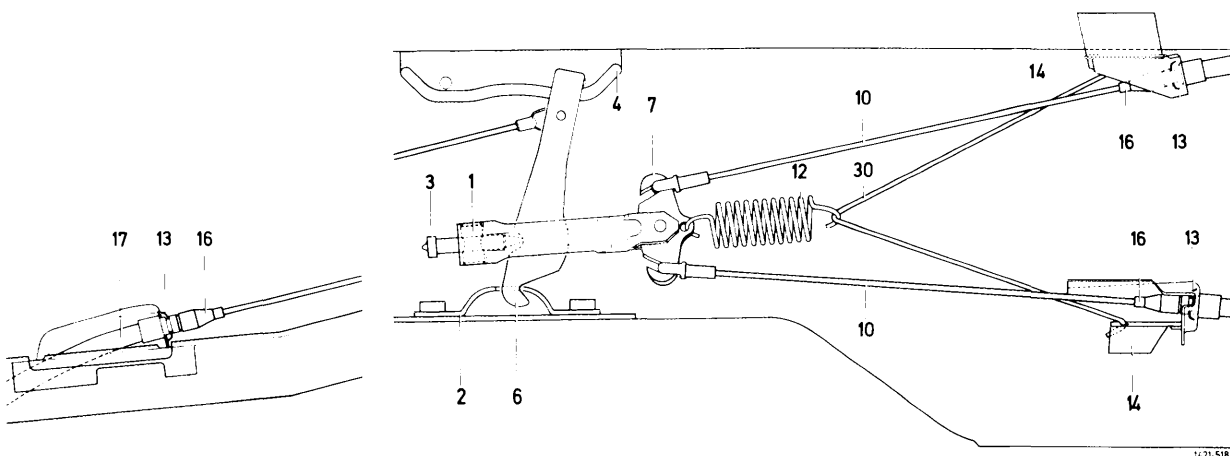


7 Loosen adjusting screw (3) on adjusting bracket (1).



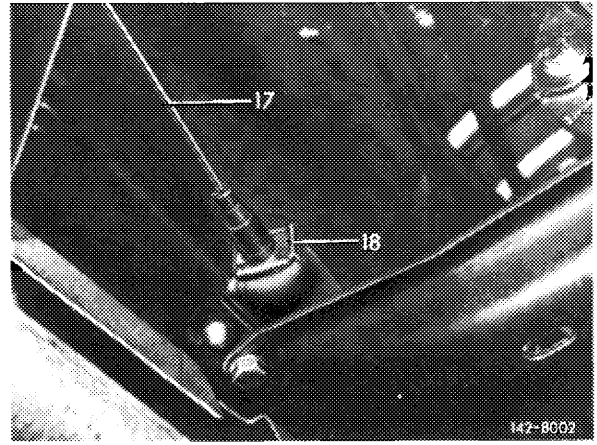
8 Disconnect intermediate lever (6) on bearing of frame floor (2) and remove from adjusting bracket.

9 Detach brake cable at intermediate lever (6) by pulling cotter pin out of shouldered bolt and remove shouldered bolt.

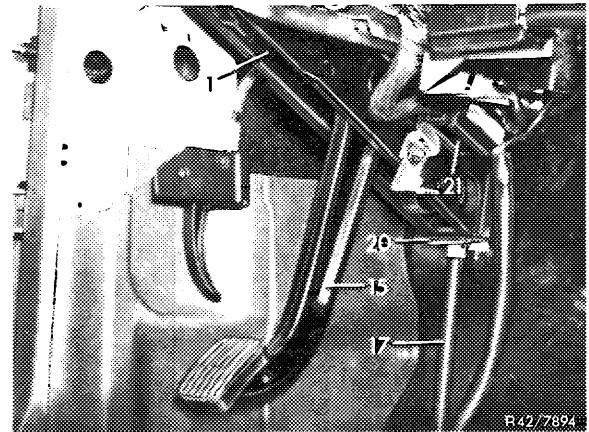


- | | | | |
|----------------------------|----------------------|----------------------------|----------------------|
| 1 Adjusting bracket | 6 Intermediate lever | 13 Spring clip | 17 Front brake cable |
| 2 Mount on frame floor | 7 Compensating lever | 14 Rear brake cable holder | 30 Spring holder |
| 3 Adjusting screw | 10 Rear brake cable | 16 Rubber grommet | |
| 4 Intermediate lever guide | 12 Spring | | |

10 Remove spring clip (18) from cable guide on frame floor.



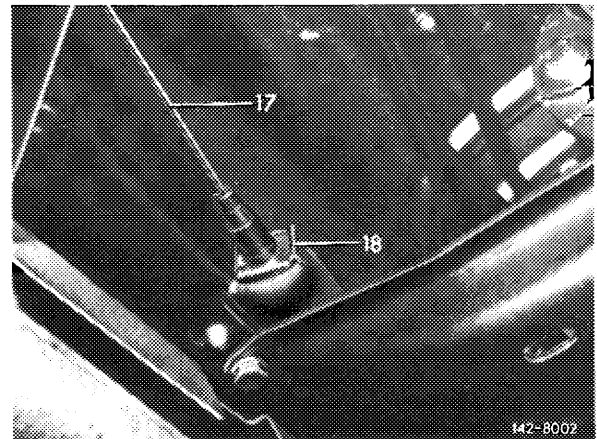
11 Detach brake cable (17) at bar of pedal. Remove spring clip (20) from cable guide and take brake cable from pedal assembly.



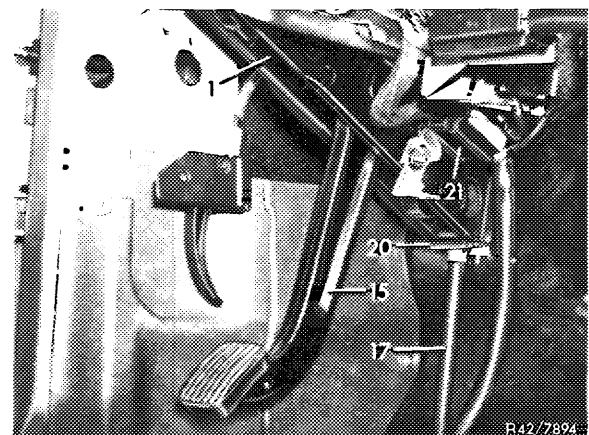
12 Pull brake cable up and out of frame floor.

Installation

13 Guide in brake cable from above through frame floor and secure with spring clip (18).

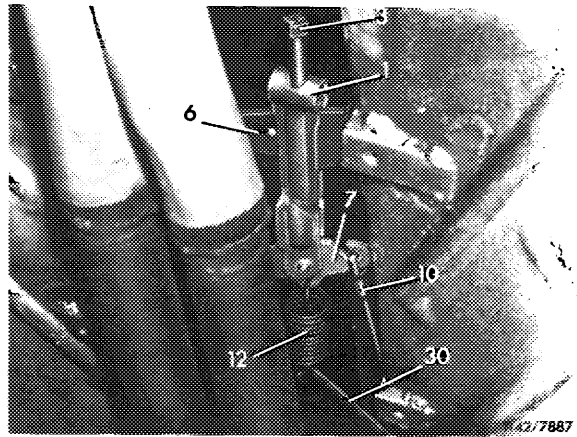


14 Attach brake cable (17) to cable bar of pedal and insert spring clip (20).



15 Mount and fasten brake cable on intermediate lever (6) with shouldered bolt.

16 Guide intermediate lever (6) into adjusting bracket (1). Then attach intermediate lever in mount of frame floor.



17 Attach return spring (12) to spring holder (30).

18 Adjust parking brake (42–540).

19 Install shield.

20 Suspend exhaust.

21 Install footwell covers, air duct and foot mat.

