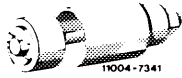


## 33–550 Checking and repairing bearing of upper control arm

### Lubricant

Naphtalen slide fluid for installing rubber mounts in upper control arm	000 989 04 60
optionally also Paladinol slide fluid	000 989 08 60

### Special Tools

Remover and installer for one-piece bearing of upper control arm		123 589 01 43 00
Installation device for two-piece bearing of upper control arm		116 589 17 43 00

### Note

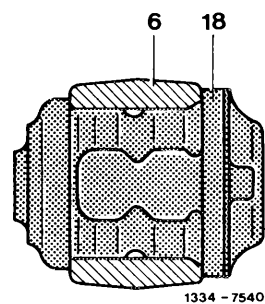
Starting March 1977 the one-piece rubber mounts in upper control arm have been replaced by two-piece rubber mounts.

In the event of repairs, install two-piece rubber mounts only. Make sure that the same version is used on both control arms of a vehicle.

Model 116.036 has upper control arms in a steel version, as well as all models 116 manufactured up to September 1975. For these vehicles, only two-piece mounts may be used.

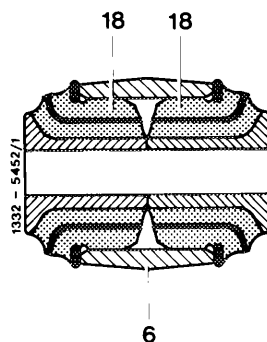
1st version up to February 1977

- 6 Upper control arm
- 18 Rubber mount (one-piece)



2nd version starting March 1977

- 6 Upper control arm
- 18 Rubber mount (two-piece)



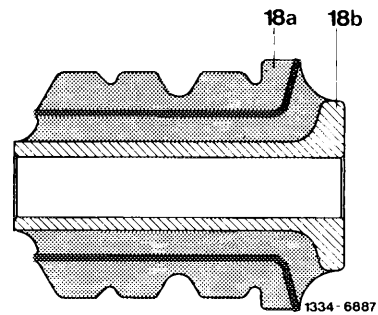
## Checkup

---

- 1 Check rubber mount for tight seat in control arm.
- 2 Check inner bushing for tight connection with rubber jacket.

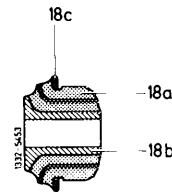
1st version (one-piece)

- 18a Rubber jacket
- 18c Inner bushing



2nd version (two-piece)

- 18a Rubber jacket
- 18b Inner bushing
- 18c Plastic washer

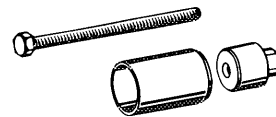


## Reconditioning

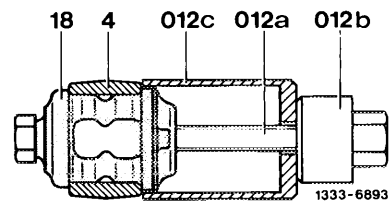
---

### Pulling-out single-piece rubber mount

- 3 Clamp control arm into a vice with light alloy jaws.
- 4 Pull rubber mount into bell-type remover with hex. head screw and thrust bearing.

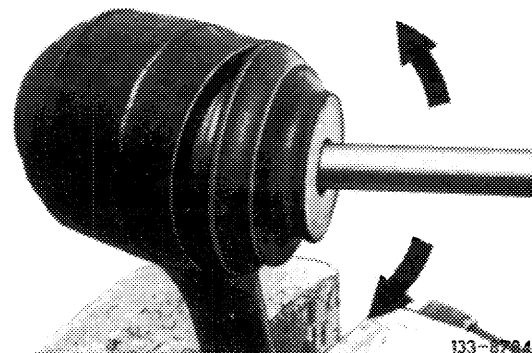


- 4 Upper control arm
- 18 Rubber mount
- 012a Hex. head screw
- 012b Thrust bearing
- 012c Bell-type remover



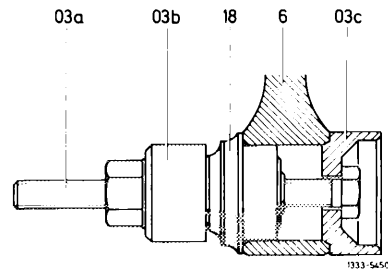
### Removing two-piece rubber mount

- 5 Loosen one rubber mount by moving back and forth in control arm and remove.
- 6 Knock-out second rubber mount with a suitable mandrel.



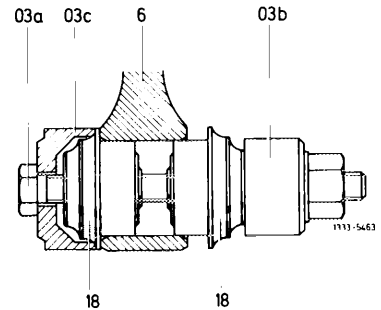
7 Press one rubber mount into control arm while fitting pressure sleeve.

- 6 Upper control arm
- 18 Rubber mount
- 03a Pressure screw
- 03b Pressure nut
- 03c Pressure sleeve



8 Mount installer, then press-in second rubber mount with pressure nut.

- 6 Upper control arm
- 18 Rubber mount
- 03a Pressure screw
- 03b Pressure nut
- 03c Pressure sleeve



**Attention!**  
After pressing-in, plastic washers of rubber mounts should rest against control arm.

- 6 Upper control arm
- 18 Rubber mount
- 18c Plastic washers

