

Special Tool

Remover and installer for bearing of lower control arm

116 589 16 43 00

Notes

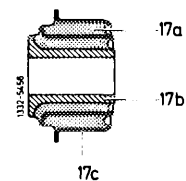
The remover and installer required for repairing bearings of lower control arm consist of 12 parts.

For this individual steps, the illustrations and legends refer only to the parts required. The number shown in brackets for the individual parts is punched into the respective part.

Checkup

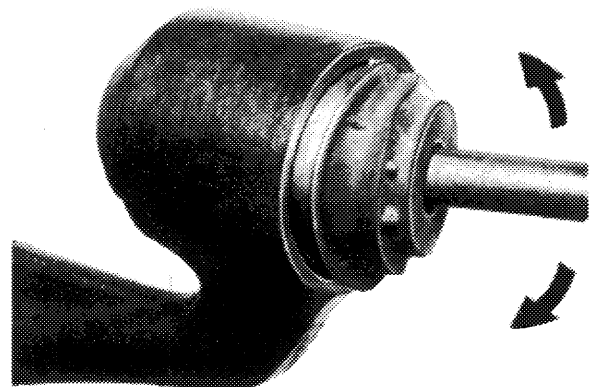
- 1 Check rubber mount for tight seat in lower control arm.
- 2 Check inner bushing and outer bushing for tight connection with rubber jacket.

- 17a Rubber jacket
- 17b Inner bushing
- 17c Outer bushing



Removal

- 3 Loosen both rubber mounts by moving mounts back and forth and remove.



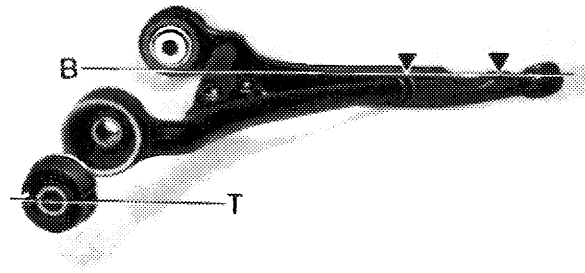
133-8783

Installation

4 Thoroughly clean mounting bore for rear bearing in lower control arm, rub with emery cloth, if required.

5 Pull one rubber mount into control arm using the second thrust piece (012m) with rear end as a counterhold and watch out for correct position of parting line (T) of rubber mount in relation to reference line (B) of control arm

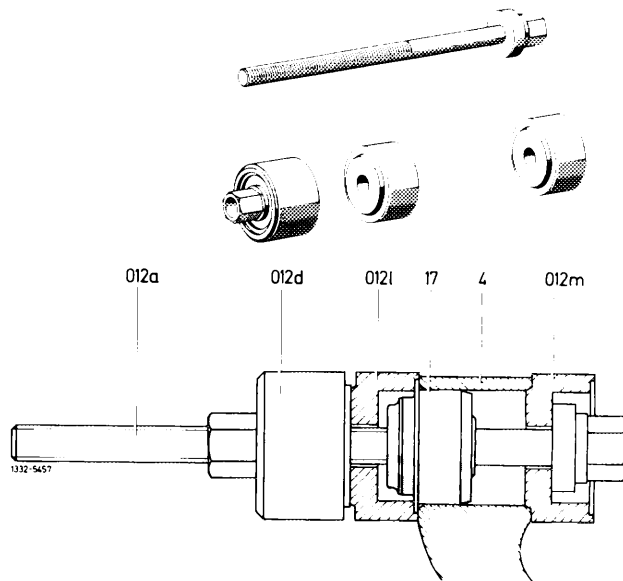
B Reference line of lower control arm
T Parting line of rubber mounting



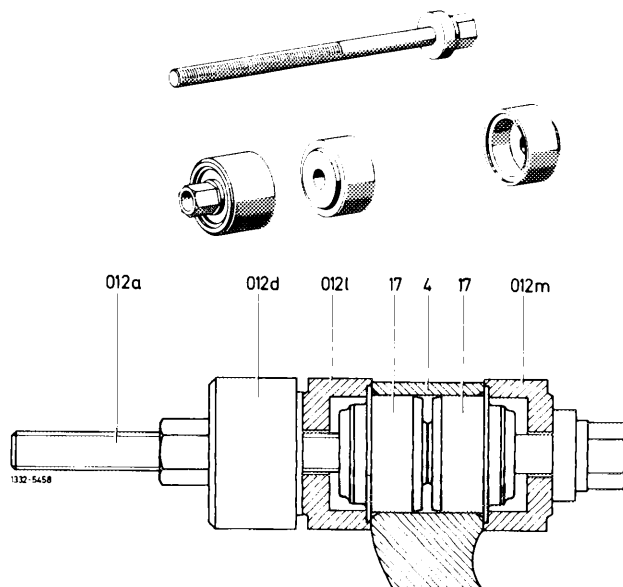
133-8893

6 Pull second rubber mount into control arm, here too watching out for correct position.

4 Lower control arm
17 Rubber mount
012a Tensioning screw
012d Thrust bearing (08)
012l Thrust piece (22)
012m Thrust piece (22)



4 Lower control arm
17 Rubber mount
012a Tensioning screw
012d Thrust bearing (08)
012l Thrust piece (22)
012m Thrust piece (22)



7 Check rubber mount for correct seat in control arm. Outer bushings of both rubber mounts should rest against control arm.

- 4 Lower control arm
- 17 Rubber mount

