

## 33–150 Removal and installation of cross yoke

---

### Tightening torques

	Nm
Hex. bolts for cross yoke bearings on frame side member	140
Eccentric bolt of lower control arm bearing on cross yoke	180

### Note

---

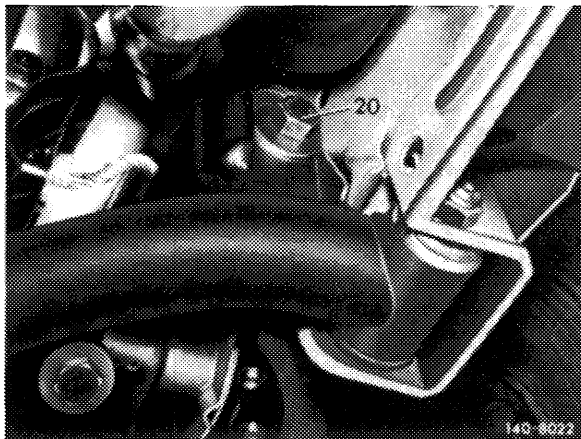
For tightening bearing of lower control arm, vehicle should **rest on its wheels ready for driving.**

### Removal

---

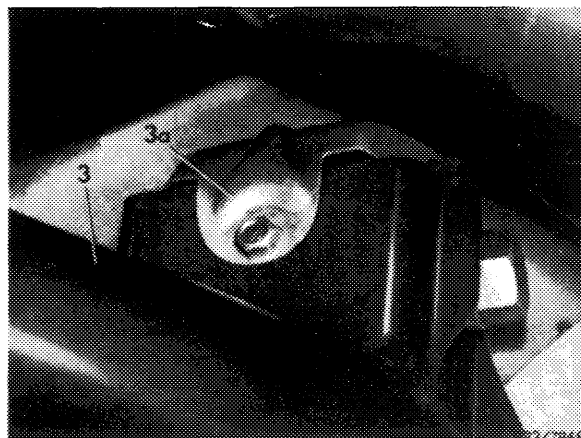
1 Mark position of eccentric bolt on rear bearing of lower control arm left and right in relation to cross yoke.

20 Rear eccentric bolt  
(caster adjustment)



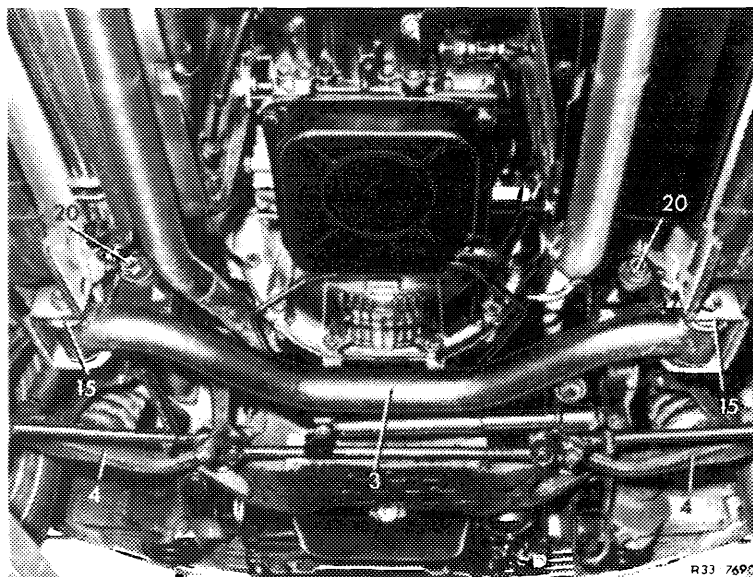
2 Unscrew shield left and right on cross yoke.

3 Cross yoke  
3a Shield



3 Loosen hex. bolts for attaching cross yoke to frame side member and eccentric bolts of rear bearing of lower control arm and knock out.

4 Remove cross yoke.



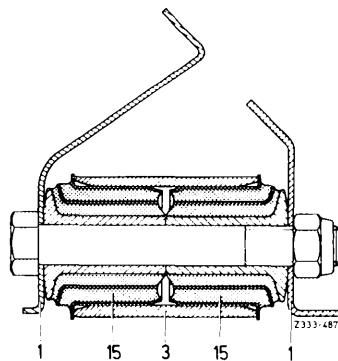
- 3 Cross yoke
- 4 Lower control arm
- 15 Rubber mounting for cross yoke
- 20 Eccentric bolt for caster adjustment

## Installation

5 Attach cross yoke to lower control arm and to frame side member; watch out for marks applied when removing eccentric bolts; do not confuse eccentric bolts at left and right.

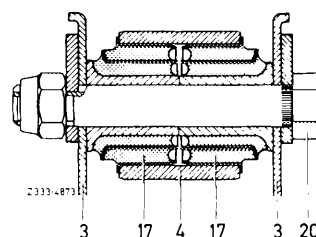
Bearing of cross yoke on frame side member

- 1 Frame side member
- 3 Cross yoke
- 15 Rubber mounting



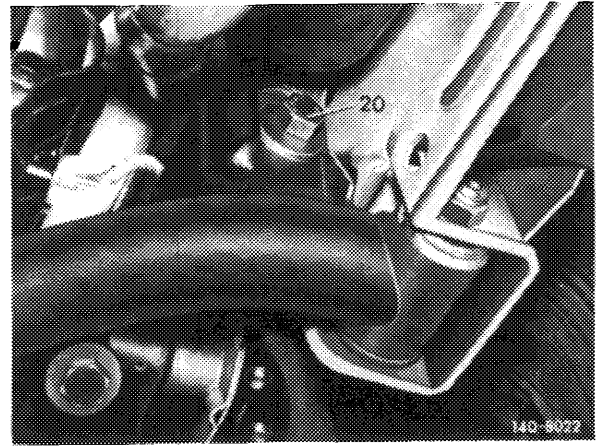
Rear bearing of lower control arm on cross yoke

- 3 Cross yoke
- 4 Lower control arm
- 17 Rubber mounting
- 20 Rear eccentric bolt



**Attention!**

If the position of the eccentric bolt has not been marked during removal, mount eccentric bolts in center position for initial adjustment.



6 Mount shields to cross yoke.

7 Check adjustment of front wheels and correct, if required (40–320).

8 Check adjustment (aim) of headlights.

