

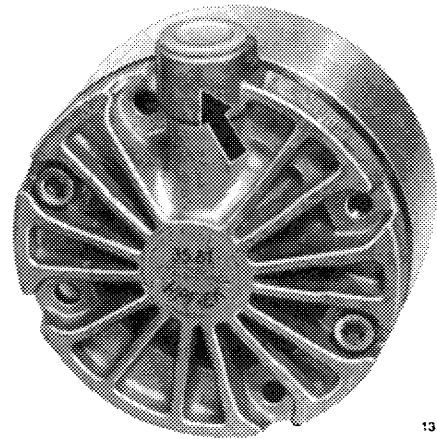
32- 640 Removal and installation of pressure oil pump

Tightening torques	Nm
Hex. socket screws for fastening pressure oil pump to engine	13
Suction line to pressure oil pump	15
Pressure line to pressure oil pump	25
Pressure line to pressure regulator of valve unit	30

Note

Starting July 1977, the pressure oil pump on model 116.036 is supplied with a double lip radial sealing ring. In the event of repairs, install pressure oil pump of model 126, part no. 117 230 00 64 with blue dot (arrow).

On model 126, from start of series of EK-engines (September 1981) an improved pressure oil pump will be installed. For identification, the pump cover carries the following letters – "HPF-E" or "HPR-EK".



Version of pressure oil pump HPF – EK
Production identification
(Example: 35.81 = 35th week 1981)

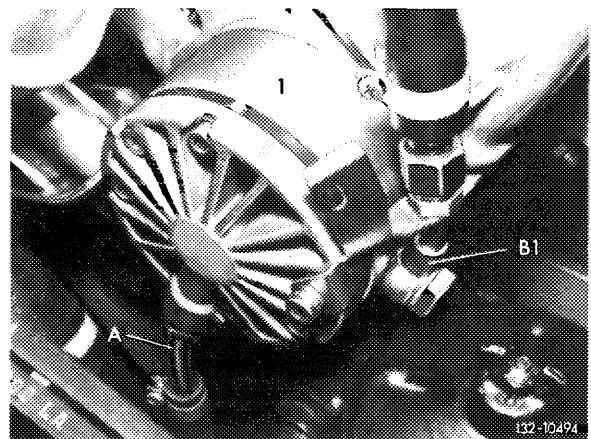
132-11823/1

A. Model 116.036

Removal

1 Disconnect suction and pressure line on pressure oil pump

- 1 Pressure oil pump
- A Suction line oil supply tank – pressure oil pump
- B1 Pressure line pressure oil pump – pressure regulator of valve unit

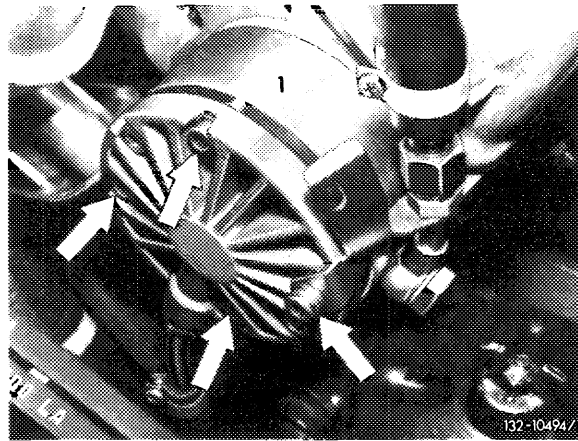


132-10294

2 Loosen the four hex. socket screws for attaching pressure oil pump to cylinder head, pull out pump and driver.

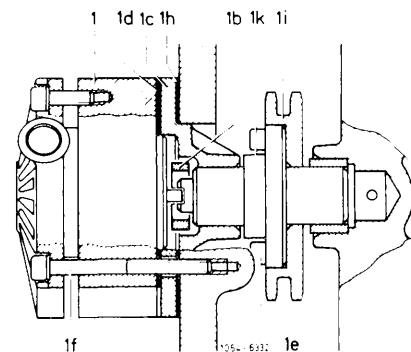
Attention!

Do not loosen the two hex. socket screws for attaching cover to pump housing, since this might cause pump to leak. Identification characteristics of screws: The hex. socket screws for cover have continuous threads, seen between the cover and the housing.



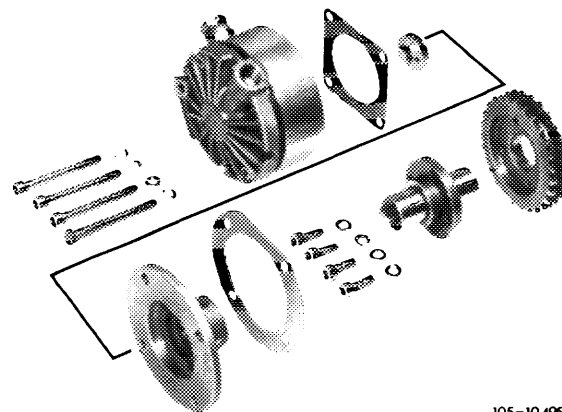
3 Remove intermediate flange from cylinder head.

- 1 Pressure oil pump
- 1b Driver
- 1c Intermediate flange
- 1d Gasket
- 1e Hex. socket screw with special head
- 1f Hex. socket screw
- 1h Gasket
- 1i Guide wheel
- 1k Shaft



Installation

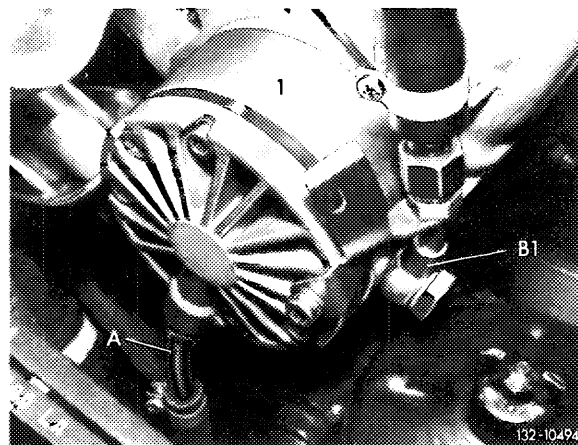
- 4 Check driver and clutch members.
- 5 Insert intermediate flange with new gasket.
- 6 Introduce pump with new gasket, while making sure that component parts of driver are correctly engaged.

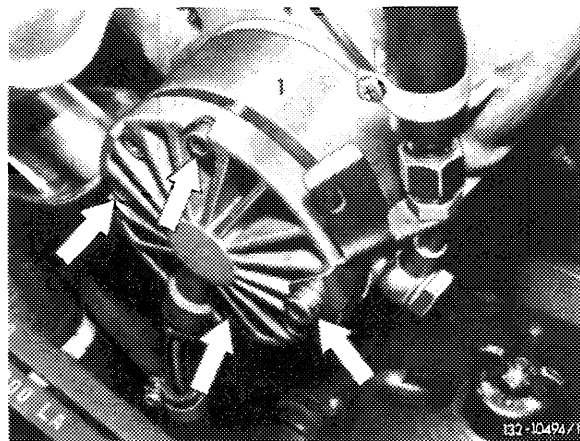


7 Mount hex. socket screws and fixation for pressure line (B1) including spacing tube, provide hollow screw for pressure line connection (B1) with new, solid copper sealing rings.

- 8 Uniformly tighten hex. socket screws.
- 9 Tighten hollow screw for pressure line connection.

- 1 Pressure oil pump
- A Suction line oil supply tank – pressure oil pump
- B1 Pressure line pressure oil pump – pressure regulator on valve unit





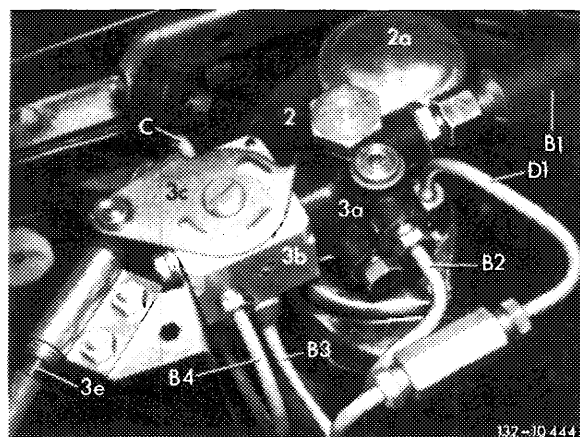
10 Connect suction line.

11 Disconnect pressure line (B1) on pressure regulator of valve unit and hold into oil supply tank.

12 Keep engine running until oil comes out at pressure line (B1).

13 Connect pressure line (B1) to pressure regulator.

14 Check oil level in suspension system and correct (32–600).

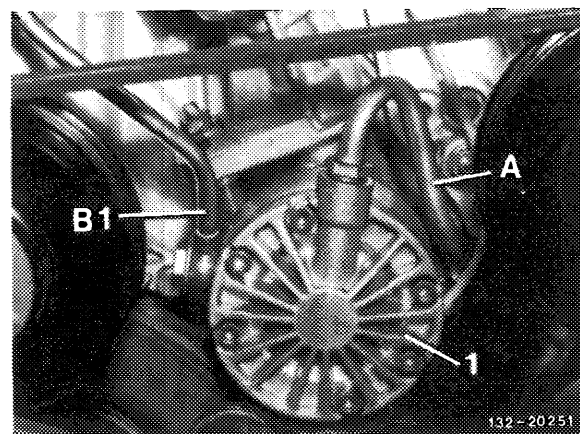


B. Models 126.033; 126.037

Removal

1 Disconnect suction and pressure line on pressure oil pump.

- 1 Pressure oil pump
- A Suction line oil supply tank-pressure oil pump
- B1 Pressure line pressure oil pump-pressure regulator of valve unit



2 Loosen the four hex. socket screws (arrows) for fastening pressure oil pump to timing housing cover, pull out pump and driver.

Attention!

Do not loosen the four hex. socket screws for fastening cover to pump housing, since otherwise pump may start leaking. Differentiating characteristic between screws: Hex. socket screws for cover have continuous threads seen between cover and housing.

