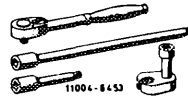


32–625 Removal and installation of central reservoir

Tightening torques	Nm
Pressure lines to central reservoir	11
Electrical pressure switch to central reservoir	30
Attachment of central reservoir to front end	20

Special tool

Open box wrench element 11 mm 1/4" square, complete with change-over ratchet and 2 extensions for pressure oil lines

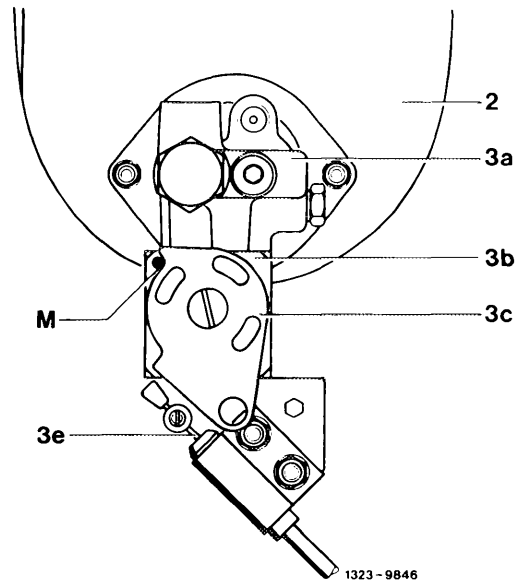


116 589 00 17 00

Removal

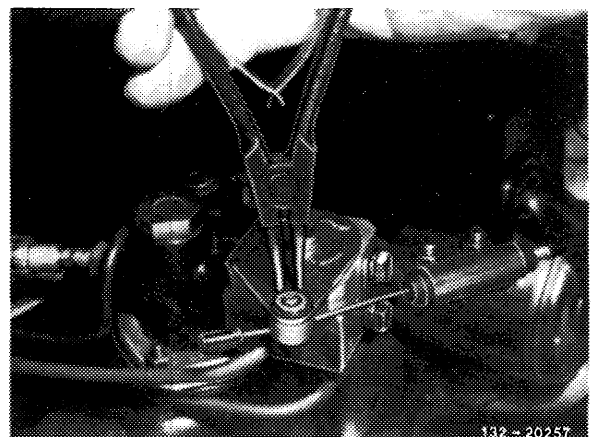
1 Disconnect puller for adjusting switch upon removal of locking ring and move control disk of adjusting switch into position M = "assembly" (turned up to stop toward the rear). This will make the central reservoir pressureless.

2 Jack up vehicle at front and remove left front wheel.

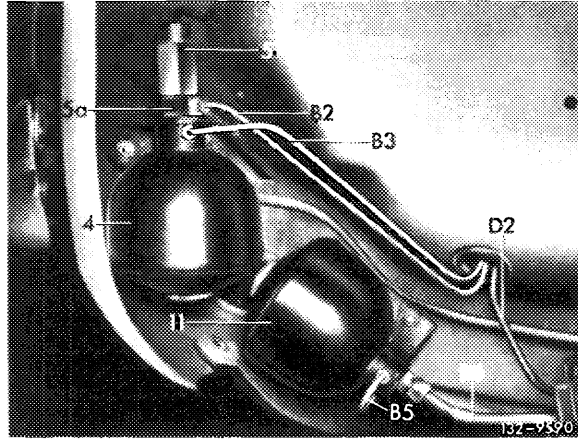


- 2 Oil supply tank
- 3a Pressure regulator of valve unit
- 3b Adjusting switch of valve unit
- 3c Control disk
- 3e Puller for adjusting switch

Position of adjusting switch
M = assembly



3 Disconnect pressure lines (B2 and B3).

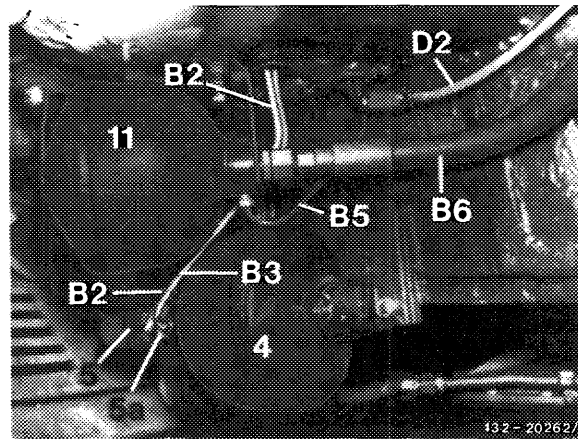


Model 116.036

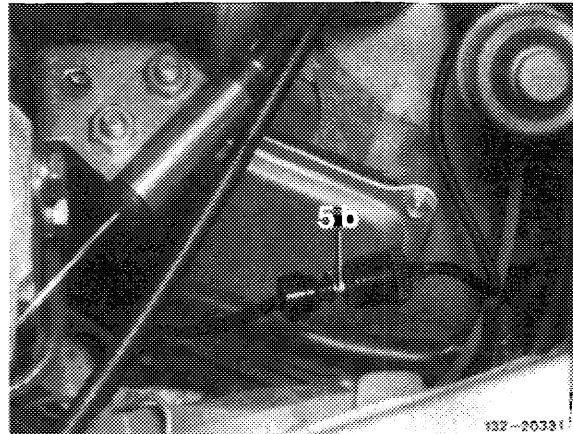
- 4 Central reservoir
- 5 Electrical pressure switch for warning lamp
- 5a Ring fitting
- B2 Pressure line pressure regulator on valve unit – central reservoir
- B3 Pressure line central reservoir – adjusting switch of valve unit

Models 126.033; 126.037

- 4 Central reservoir
- 5 Electrical pressure switch for warning lamp
- 5a Ring fitting
- 11 Pressure reservoir
- B2 Pressure line pressure regulator on valve unit – central reservoir
- B3 Pressure line central reservoir – adjusting switch of valve unit
- B5 Pressure line level controller – pressure reservoir
- B6 Pressure line pressure reservoir – tube shock
- D2 Return line for leak oil of tube shock



- 4 Separate cable plug connection at front end.
- 5 Pull cable with plug (5b) and rubber grommet into wheel house.
- 6 Loosen central reservoir at front end and remove.

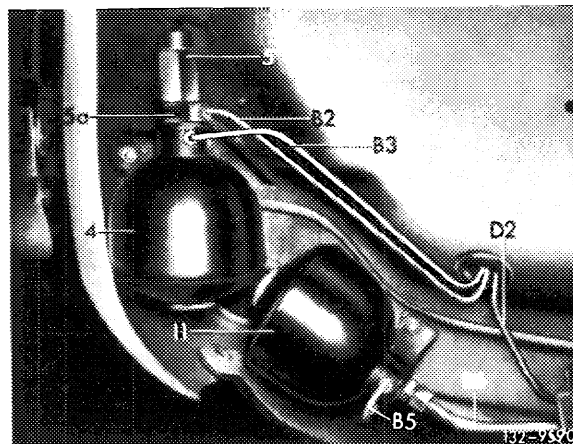


5b Cable plug connection for electrical pressure switch

- 7 Unscrew electrical pressure switch (5) from central reservoir (4), while marking position of ring fitting (5a).

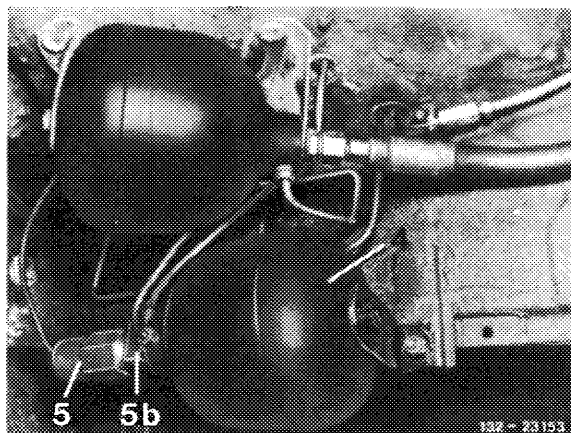
Installation

- 8 Install electrical pressure switch (5) and ring fitting (5a), align ring fitting to mark when tightening.
- 9 Install central reservoir (4) and attach to front end.



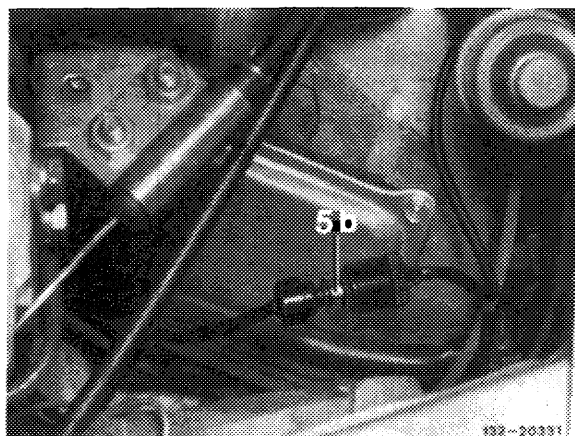
Model 116.036

Models 126.033; 126.037



10 Connect cable with plug (5b) to front end, insert rubber grommet.

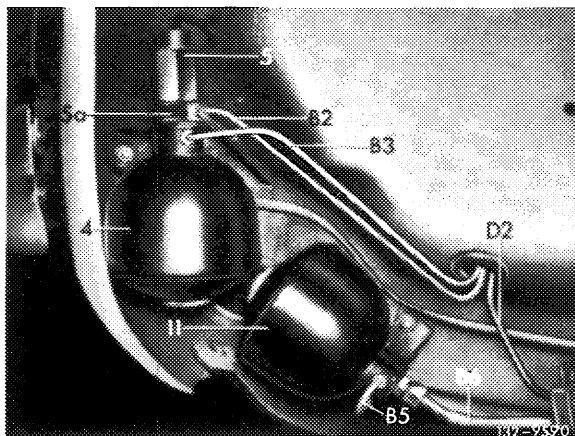
Note: Remove and install components as required.



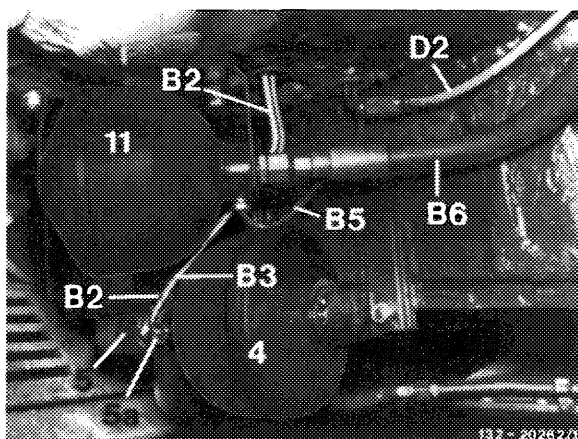
11 Connect pressure lines (B2 and B3) to central reservoir (4).

12 Mount left front wheel and lower vehicle.

Model 116.036



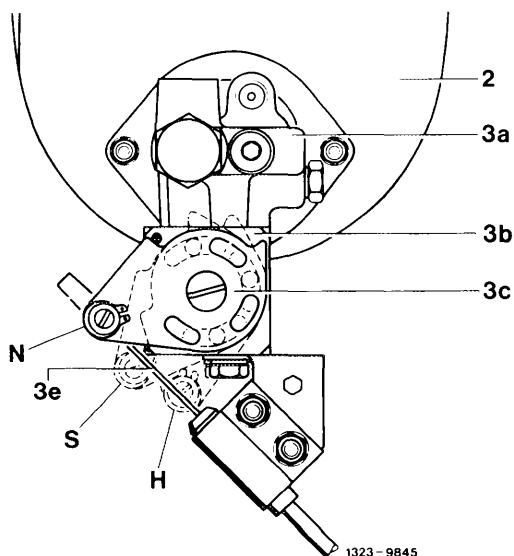
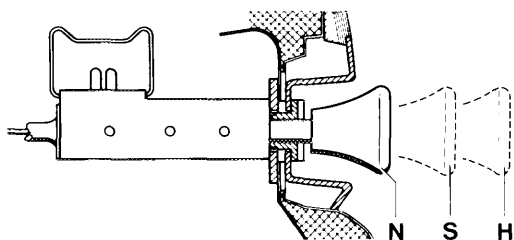
Models 126.033; 126.037



13 Attach puller for adjusting switch to control disk and move control disk into position N = "normal level" (switch on instrument panel depressed).

14 Fill central reservoir, keep engine running at approx. 2500/min (filling time of empty central reservoir up to cut-out pressure approx. 30 s).

15 Check oil level in suspension system and correct (32–600).



- 2 Oil supply tank
- 3a Pressure regulator of valve unit
- 3b Adjusting switch of valve unit
- 3c Control disk
- 3e Puller for adjusting switch

Positions of adjusting switch:

- N = normal level
switch pushed down or control disk against stop at front
- S = detent position
switch locked in center position or control disk pulled into 1st detent
- H = higher level
switch fully pulled or control disk pulled into 2nd detent

Note: In positions "H" and "S" warning lamp at right in instrument cluster is lighting up (red with vehicle symbol).