

## 32–310 Removal and installation of torsion bar on rear axle (diagonal swing axle)

### Data

Torsion bar		Rubber mount of torsion bar bearing	
Part no.	Diameter	Part no.	Bore dia.
116 326 15 65	18 ± 0.3	116 326 08 81	16.5–0.5

### Tightening torques

	Nm	(kpm)
Hex bolts of torsion bar bearing	70	(7)
Ball joints of connecting rods for torsion bar	45	(4.5)

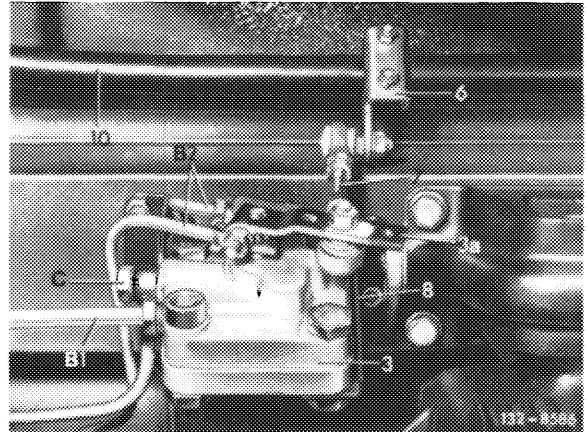
### Note

The following jobs apply only if the torsion bar is removed without connecting rods.

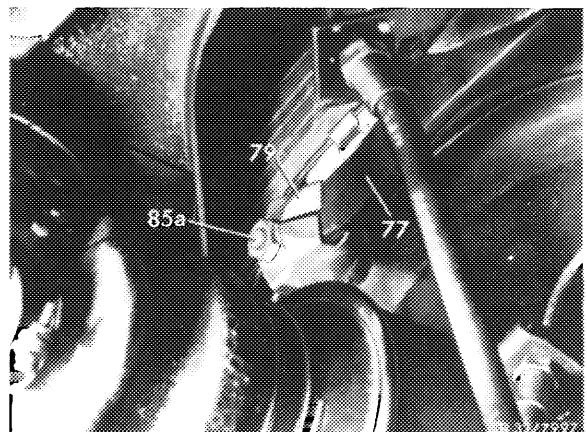
When removing torsion bar with connecting rods, jack-up vehicle at the rear and remove rear wheels.

### Removal

1 On vehicles with level control, separate connecting rod (7) for level controller from lever on torsion bar (6).



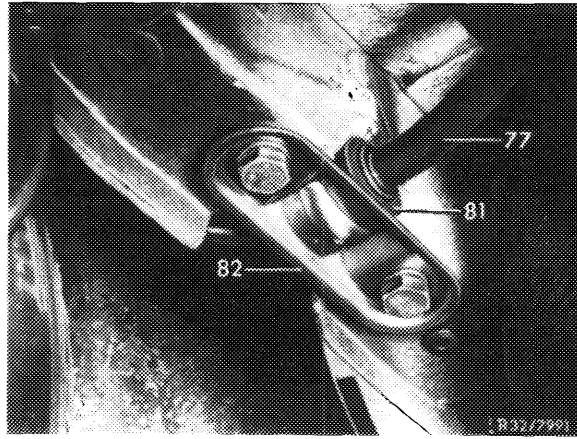
2 Loosen connecting rod (85a) left and right on torsion bar (77).



77 Torsion bar  
79 Deflector plate  
85a Ball joint

- 3 Unscrew holding bracket of torsion bar bearing left and right.
- 4 Loosen rubber rings of rear axle suspension, slightly lower exhaust line and support.
- 5 Remove torsion bar.

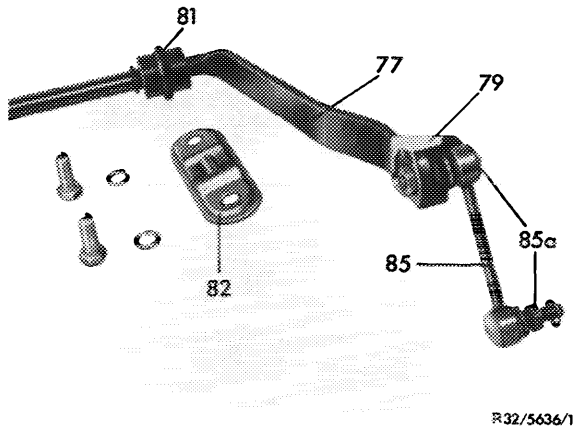
77 Torsion bar      82 Holding bracket  
81 Rubber mount



## Installation

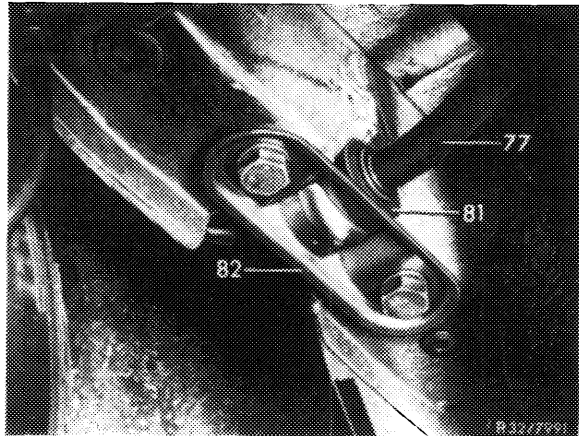
- 6 Check rubber mount of torsion bar bearing and connecting rods.
- 7 If required, mount lever for actuating level control on torsion bar.

77 Torsion bar      82 Holding bracket  
79 Deflector plate      85 Connecting rod  
81 Rubber mount      85a Ball joint

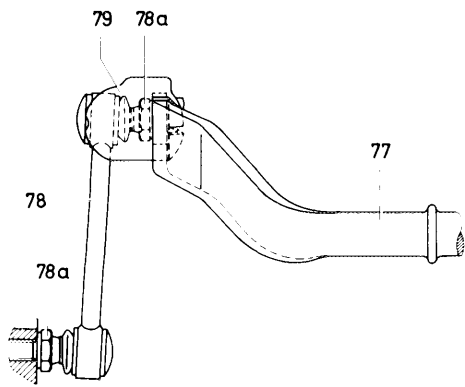


R32/5636/1

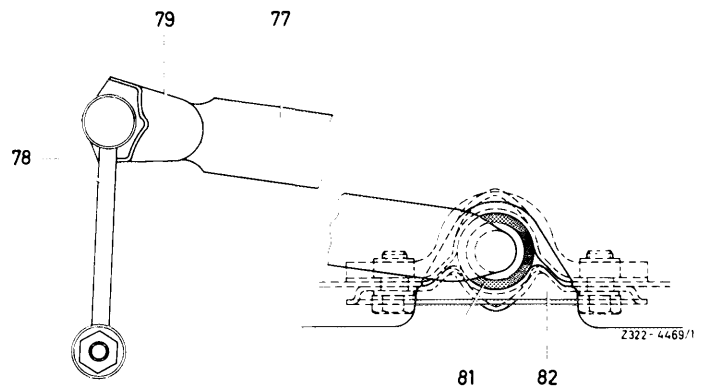
- 8 Introduce torsion bar. Slide rubber mount on torsion bar with parting slot in upward direction.



- 9 Mount bearing of torsion bar on frame floor.
- 10 Attach connecting rods left and right on torsion bar. Replace deflector plates, if required.
- 11 Mount rear exhaust line.



- 77 Torsion bar
- 78 Connecting rod for torsion bar
- 78a Ball pin with spring washer



- 79 Deflection plate
- 81 Rubber mount for torsion bar on frame floor
- 82 Lower holding bracket for torsion bar bearing

12 Additionally on vehicles with level control:

- a) Connect connecting rod (7) on lever (6) to torsion bar.
- b) Check vehicle level and correct, if required (40-310).

