

## 32–230 Removal and installation of rear spring

Tightening torques	Nm	(kpm)
Hex. bolts or nuts of lower shock absorber suspension	45	(4.5)
Hex nuts of upper shock absorber suspension	tighten up to thread runout	

### Special tools

Socket wrench 24 mm 1/2" square 450 mm long for spring tensioner  11004-8982 116 589 01 09 00

Spring tensioner for rear spring  11004-8979 115 589 00 31 00

### Note

The rear shock absorbers are simultaneously serving as a deflection stop for the rear wheels. For this reason, loosen shock absorber suspension only when the vehicle is resting on its wheels or, with the vehicle jacked up, the semitrailing arm is supported.

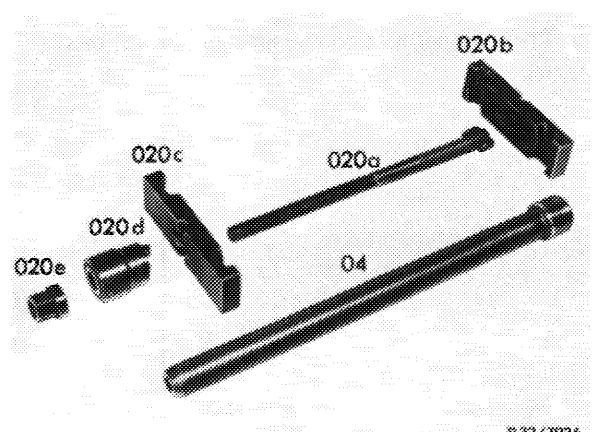
### Attention!

When removing gas pressure shock absorbers with separating piston or with piston rod mounted at top, with vehicle jacked up and axle half relieved, make sure that the piston rod is not turning along when loosening upper suspension. Since in this condition the resilience stop in shock absorber rests against operating piston, the attachment of operating piston to piston rod may become loose. The gas pressure then suddenly extend piston rod and the oil in shock absorber would flow out (risk of an accident).

### Removal

1 Remove rear shock absorber or spring strut (32–110 or 32–610). Make sure that the upper shock absorber suspension is released **first**.

2 Lift vehicle at the rear.



04 Socket  
020a Tensioning screw  
020b Upper tensioning plate  
020c Lower tensioning plate  
020d Guide sleeve  
020e Hex nut

832/7928

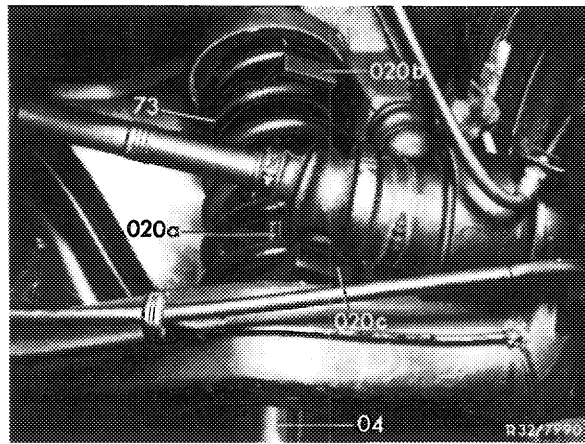
3 Insert tensioning plates of spring tensioner in parallel relation to each other into rear spring in such a manner that 5 coils are included.

4 Insert tensioning screw through opening in semi-trailing arm.

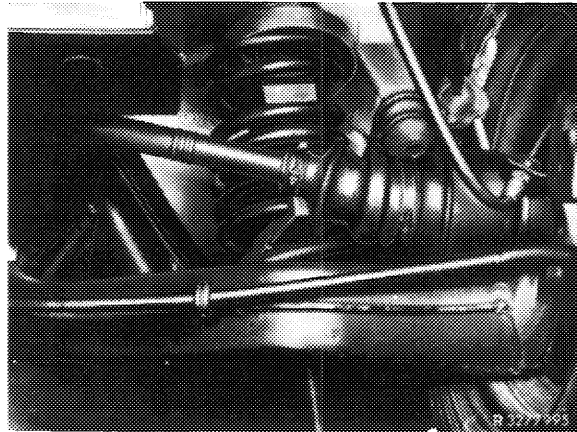
**Attention!**

The webs of the tensioning screw and the guide bushing should be correctly located in grooves of lower and upper tensioning plates.

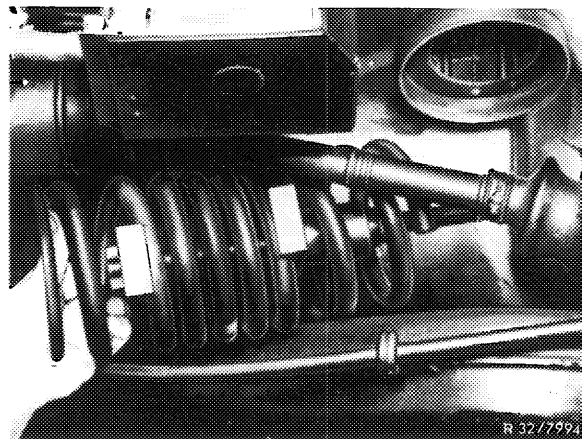
- |                |                             |
|----------------|-----------------------------|
| 73 Rear spring | 020c Tensioning screw       |
| 04 Socket      | 020b Upper tensioning plate |
|                | 020c Lower tensioning plate |



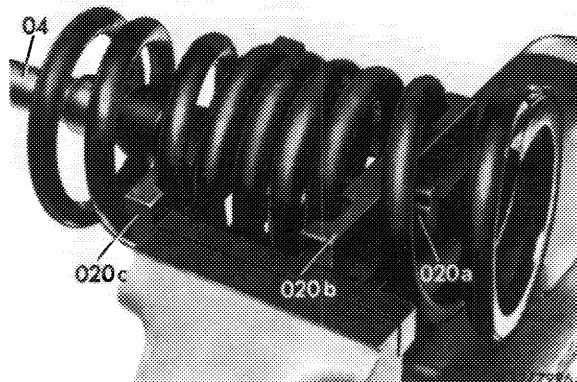
5 Tension rear spring.



6 Remove rear spring together with rubber mount.



7 Clamp upper tensioning plate and slacken rear spring.



- |                       |                             |
|-----------------------|-----------------------------|
| 04 Socket             | 020b Upper tensioning plate |
| 020a Tensioning screw | 020c Lower tensioning plate |

## Installation

- 8 Tension rear spring at 5 coils.
- 9 Place rubber mount on rear spring and introduce rear spring in such a manner that the end coil is seated in impression of semitrailing arm.
- 10 Slacken rear spring, while paying attention to correct location of rubber mount in frame floor and of end coil of spring in semitrailing arm.
- 11 Install rear shock absorber or spring strut (32--110 or 32--410). Make sure that the lower suspension is mounted to semitrailing arm first.
- 12 Lower vehicle.
- 13 Check semitrailing arm position of rear axle (40--300).
- 14 Check adjustment of headlamps.

- 72 Semitrailing arm
- 73 Rear spring
- 74 Rubber mount
- 75 Shock absorber or spring strut
- 76 Dome on frame floor

