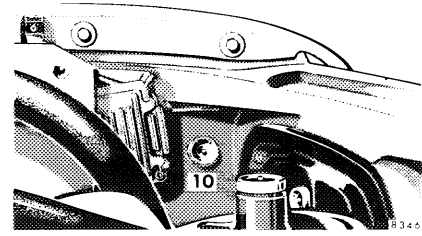
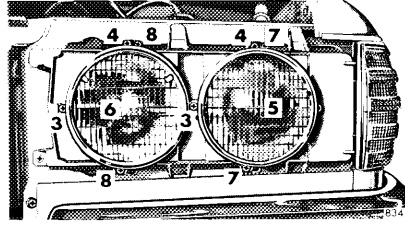
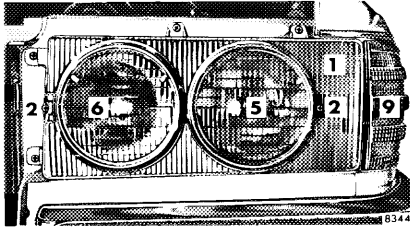


Electrical System



Replacing Bulbs

To remove, push the bulb in and turn to the left, then lift the bulb out.

To install, grip the bulb with a paper tissue or similar cloth, align the pins on the base of the bulb with the grooves in the bulb socket, push in lightly and turn to the right until the stop is felt.

Install only bulbs of prescribed wattage. Refer to "Technical Data and last page".

Headlight Aiming

Correct headlight aiming is of paramount importance to the roadworthiness of the car. Check and readjust headlights at regular intervals and invariably when a lamp has been replaced.

Front Lights

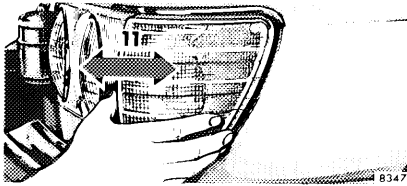
(Sealed Beam Version — USA Specifications)

- 1 Cover
- 2 Securing screws for cover
- 3 Horizontal aiming screws
- 4 Vertical aiming screws

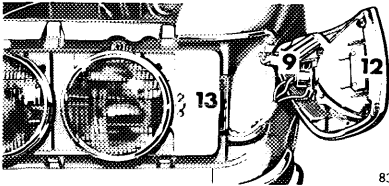
Loosen securing screws 2 and detach cover 1.

- 5 High and low beam sealed-beam unit (type 2):
Loosen clamping screws 7, remove retaining ring and unit, disconnect plug and socket on unit.

- 6 High beam sealed-beam unit (type 1):
Loosen clamping screws 8, remove retaining ring and unit, disconnect plug and socket on unit.
- 9 Bulb for turn signal, clearance (standing) and side marker lights:
Loosen knurled nut (10) in engine compartment, push housing (11) forward and detach.



8347

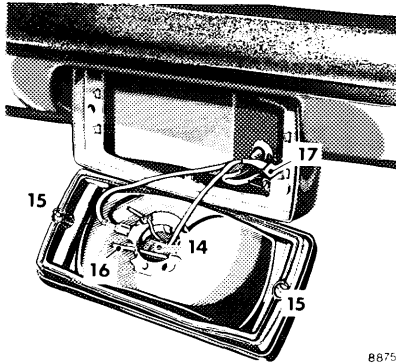


8348

Pull out lamp holder with lamp.

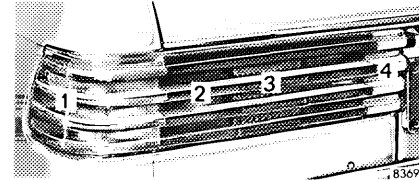
Depress bulb, turn left and take out. Install lamp holder to engage its lug in the housing recess.

When attaching the housing, make absolutely sure fixing plate (12) engages behind bracket (13).

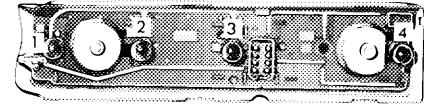


8875

- 14 Bulb for fog light:
Loosen securing screws (15) and remove housing. Detach holding spring (16), remove bulb (14) and disconnect plug (17).



8369



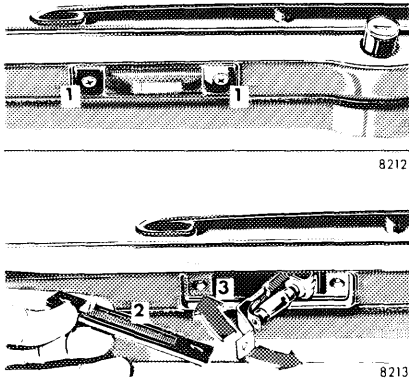
8370

Tail Light Assembly

Remove both knurled nuts in the trunk and pull off lens assembly. To replace the bulbs, depress, turn left and pull out.

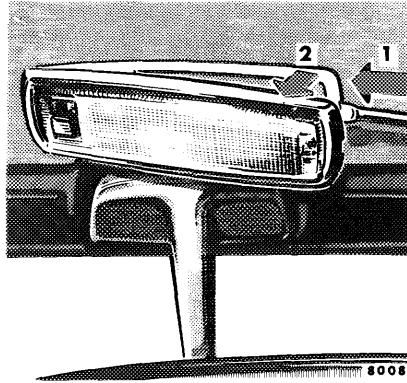
- 1 Turn signal light (ball lamp)
side marker light (festoon lamp)
- 2 Stop light
- 3 Standing light/tail light
- 4 Back up light

Electrical System



License Plate Light

Loosen both the securing screws (1) of the light, detach lens with gasket (2) and pull down lamp holder (3) on the LH side. When replacing the lens, it must be assured that the lug in the lens is on the LH side.



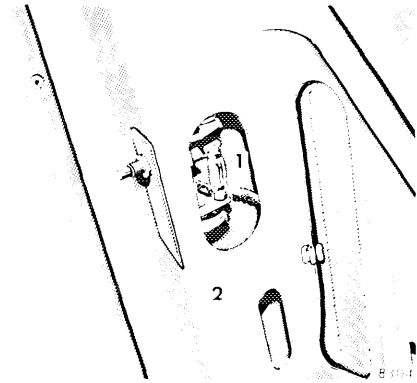
Courtesy Lights

To replace the bulb, press courtesy light slightly toward the left (1), lift off at right-hand side (2) and pull out to the right.

The same applies when removing the rear courtesy light.

Reading Lights in the Rear Passenger Compartment

To change the bulbs, pull out lights.



Trunk Light

Trunk light (1) is easily accessible when trunk lid (2) is open.