

Revision: Measuring devices and new adjusting values included. Text revised.

All engines

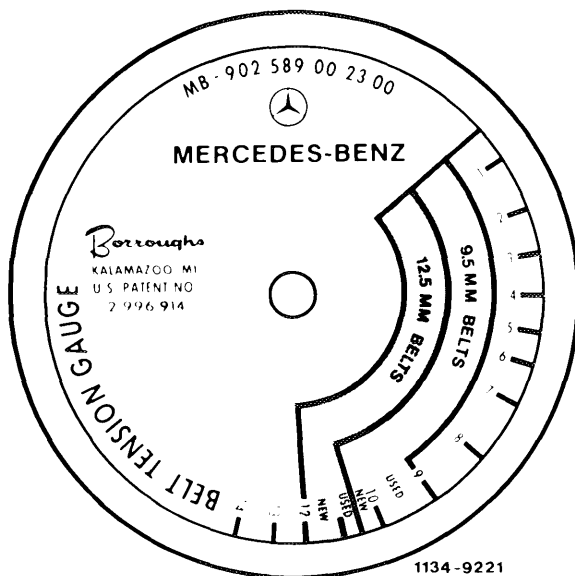
Adjusting values with Borroughs measuring device

V-belt (Profile in mm/in.)	Gauge dial number for new V-belts tension ¹⁾	Gauge dial number for used V-belts tension
9.5 mm (0.374")	10.0 to 10.5 (green zone on dial)	9 to 10 (green zone on dial)
12.5 mm (0.492")	11 to 12 (red zone on dial)	10.5 to 11 (red zone on dial)
Two-belt drive (Each individual belt)	10 (green zone on dial)	9.5 (green zone on dial)

¹⁾ These values are only valid for new V-belts installed for the first time.

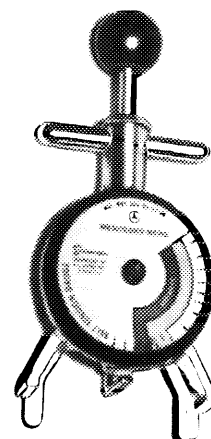
Conventional tool

Description	Part No.
V-belt tension gauge	902 589 00 23 00



1134-9221

- 1 Green zone for 9.5 mm (3/8") V-belt
- 2 Red zone for 12.5 mm (1/2") V-belt



113-18703

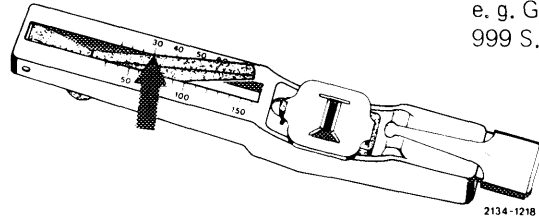
Arrow = indicator marking for reading gauge

Adjusting values with Kriket measuring device

V-belts (profile width in mm)	New V-belts (KG scale on measuring device)	Used V-belts (KG scale on measuring device)
9,5	30	20–25
12,5	50	40–45

Conventional tool

Measuring device (Kriket)



e. g. Gates Rupper Company
999 S. Broadway, 80217 Denver/Colorado

2134-1218/1

Checking condition of V-belts

Replace cracked, porous, burnt or worn V-belts.

Note: If one of the two V-belts of double belt drive fails due to wear, always replace both V-belts.

Mount only V-belts of one manufacturer together.

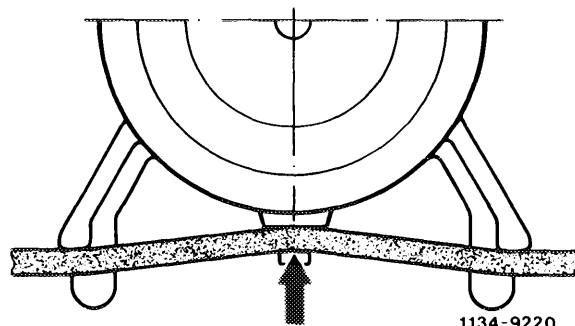
V-belts are available in spare parts sector in sets only.

Installation and tensioning of V-belts

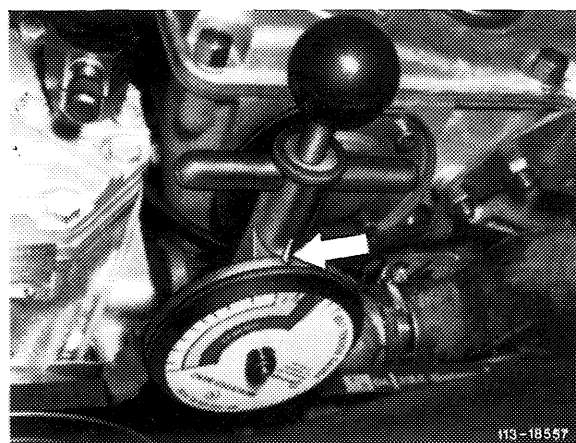
It is important for proper installation of a V-belt that the corresponding accessory unit or the belt tensioner be sufficiently loosened to permit the belt to be placed on the pulleys effortlessly. In addition, the surfaces of the pulleys in contact with the V-belt must be free of burrs, rust and dirt. Keep away oils, grease and chemicals, and do not use belt dressing or similar products. New V-belts must be tightened to the values given for **new** V-belts (see table above). Run engine approximately 10 to 15 minutes with accessories turned on. If it is necessary to replace a V-belt during a regular Maintenance Service, the V-belt should be installed before testing or adjusting the engine. This can eliminate the separate 10 to 15 minute running time for V-belt installation. After running of the engine or after road testing, check tension of V-belt, the reading should correspond now with the value specified for **used** V-belts. If necessary, retighten V-belt. This also applies to checking of V-belt tension at the first maintenance service, or any other applicable service.

Checking tension with Borroughs measuring device

Fully depress the plunger to permit the hook to engage the belt. Release the plunger with a quick motion and read the dial.



Note: Some belts are only accessible from below.



Arrow = Read gauge at indicator marking

Checking tension with Kriket measuring device

For handling of equipment refer to operating instructions.

The specified adjusting values refer to KG scale of measuring device (arrow).

