

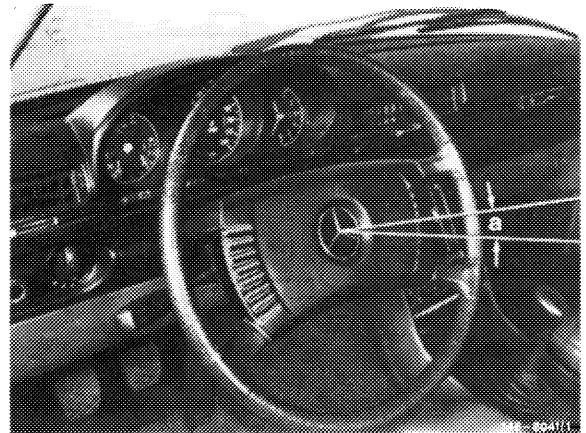
Revision: Note concerning testing of the ball joint.

All models

- In center position of steering, play (a) on steering wheel may amount to max. 25 mm.

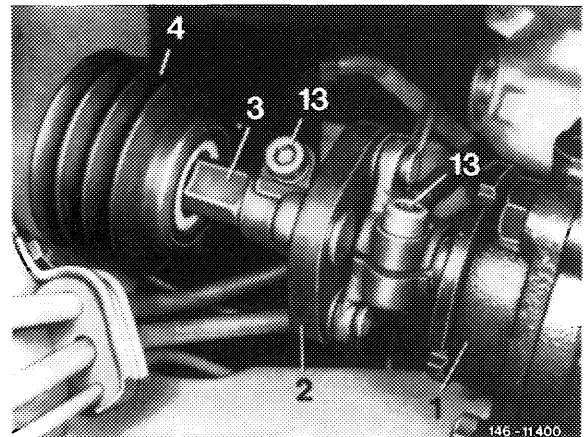
Attention! The pressure device of the steering unit may be readjusted only on steering 765.7 (power steering LS 90), exception model 116.036, with steering unit installed, while accurately observing adjusting instructions.

For all other steering units, the pressure device may be adjusted only with the steering unit removed from vehicle.



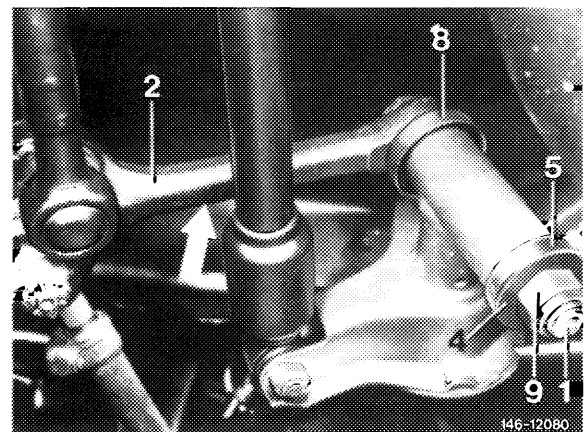
a = max. 25 mm

- Play of steering coupling or of both companion plates of lower steering shaft.



2 Companion plate

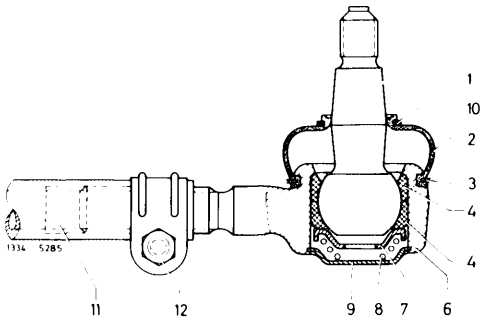
- Intermediate steering lever mounted in rubber slide bearings.



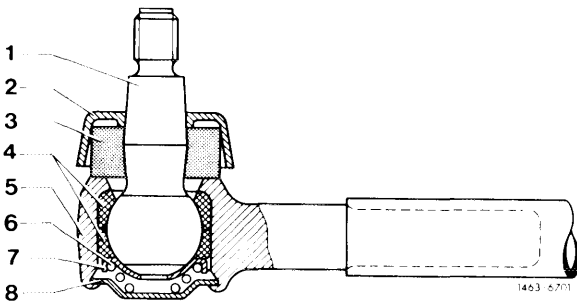
5 Rubber slide bearing

- Move steering to the left and right while checking play of the following ball joints:

- Ball joints of track rods.

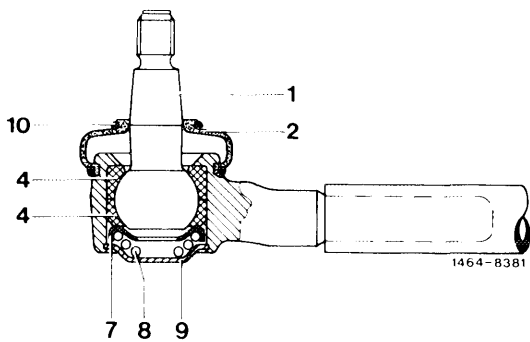


2 Rubber sleeve



2 Plastic cover
3 Sealing ring

- Ball joints of drag link, 1st version.



2 Rubber sleeve

- Ball joints of drag link, 2nd version.

- If there is play, replace drag link and appropriate joint of track rod.

- Carefully check sealing and condition of rubber boots for the track rods as well as the drag link, 2nd version, or the plastic covers and the sealing rings of the drag link, 1st version.

Note: In the event of a leaking or damaged rubber boot or plastic cover, replace respective joint immediately, since penetrating dirt will destroy the joint within a short period. **A rubber boot or plastic cover including sealing ring may be replaced only** if no dirt whatsoever has penetrated into interior of joint.