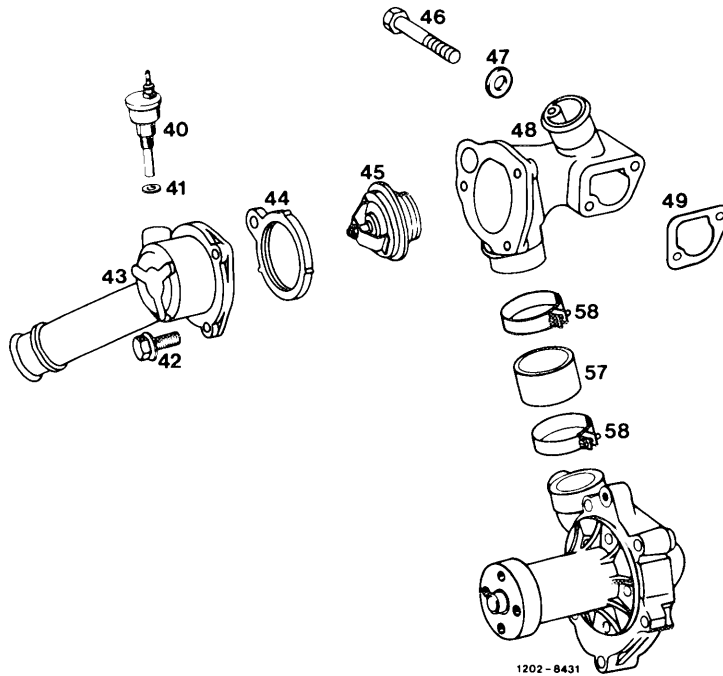


20-490 Illustrated table thermostat layout



- | | | | |
|----|--|----|----------------------------|
| 40 | Temperature switch 100 °C (model 116, engine 617.950 only) | 46 | Hex. screw (2 each) |
| 41 | Sealing ring | 47 | Spring plate (2 each) |
| 42 | Combination screw (3 each) | 48 | Coolant thermostat housing |
| 43 | Cap coolant thermostat housing | 49 | Gasket |
| 44 | Sealing ring | 57 | Coolant hose |
| 45 | Coolant thermostat | 58 | Hose clamp |