

03—340 Removal and installation of pulley, vibration damper and balancing disc

Tightening torques

Nm

Bolt M 18 x 1.5 x 45 on crankshaft

270—330

Bolts M 8 x 30

25

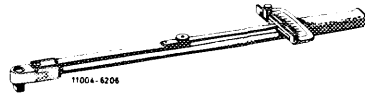
Special tools

Socket 27 mm, 1/2" square



001 589 65 09 00

Torque wrench 150—500 Nm,
3/4" square



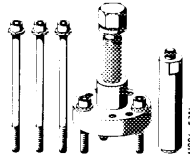
001 589 31 21 00

Detent



110 589 00 40 00

Puller for balancing disc



116 589 10 33 00

Conventional tool

Adaptor 3/4" hex. socket
to 1/2" hex. head

e.g. made by Hazet, D-5630 Remscheid
order no. 1058 R-1

Note

The **vibration damper** can be renewed **without balancing**.

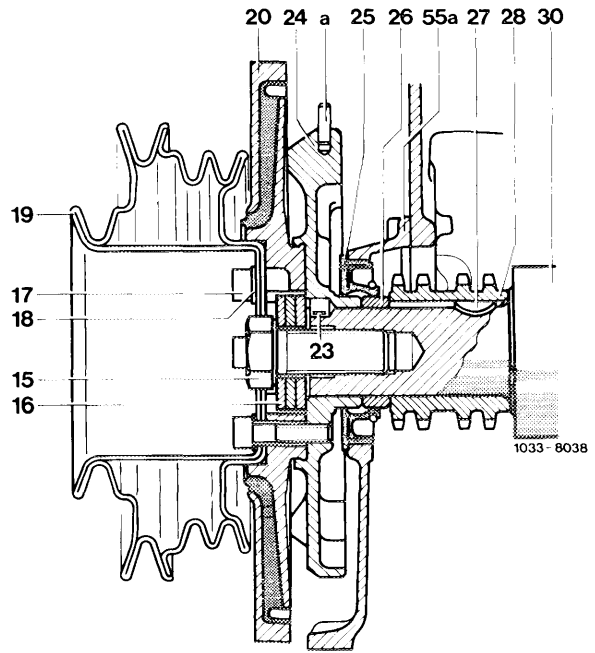
When the **balancing disc** is renewed, static **balancing is absolutely required** (03—344).

Since January 1979, the fastening screws (17) for pulley and vibration damper on engine 617.950 are inserted without washers (18). On engines 617.951/952 from start of series.

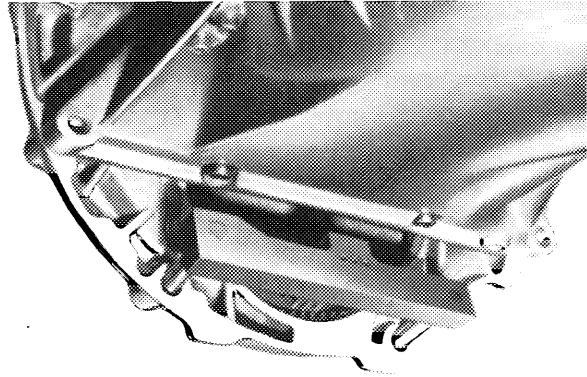
Removal

- 1 Remove radiator and fan.
- 2 Remove all V-belts (13–340).
- 3 Remove pulley and vibration damper.

15 Bolt M 18 x 1.5 x 45	25 Radial sealing ring
16 Cup spring	26 Spacing ring
17 Bolt M 8 x 30	27 Woodruff key
18 Washer	28 Crankshaft gear
19 Pulley	30 Crankshaft
20 Vibration damper	55a Cover
23 Fitted pin 8 x 8	a Pin
24 Balancing disc	

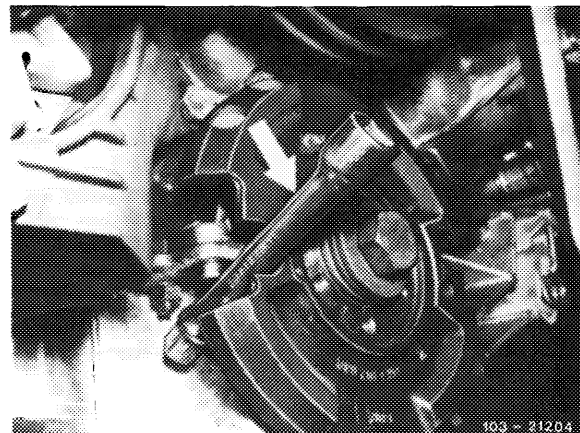


- 4 On models 116.120 and 123 with automatic transmission 722.120 (W4B 025), insert detent at flywheel as a counterhold when loosening screw in crankshaft.



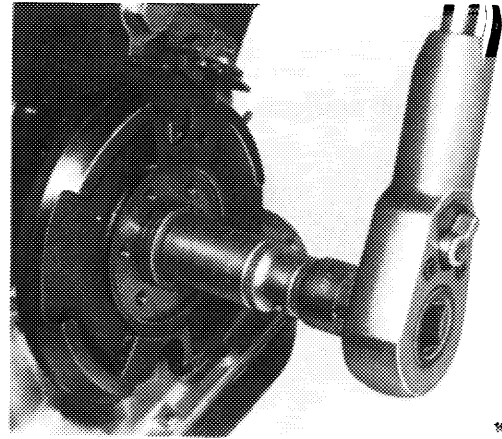
103-9243

On models 126.120 and 123 with automatic transmission 722.303 (W4A 040) use a steel bolt as a counterhold in one of the recesses on balancing disc and on cylinder crankcase (arrow).



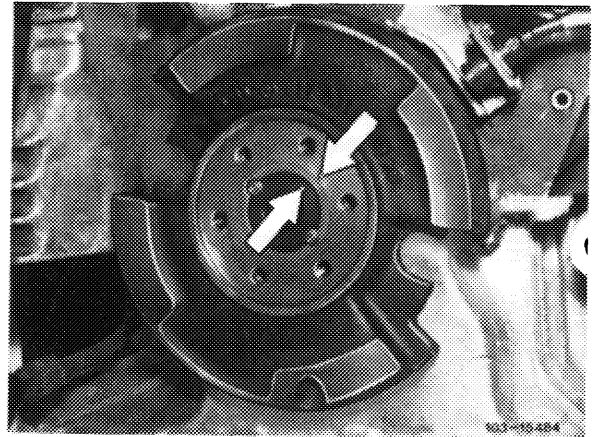
103-21204

5 Remove screw on crankshaft.



103-15477

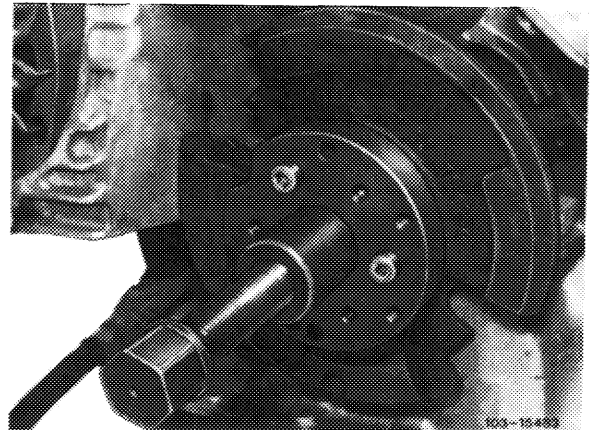
6 Identify balancing disc and crankshaft by punch marks.



103-15484

7 Pull off balancing disc by means of puller. For this purpose, place recess in balancing disc under water pump pulley.

Do not screw-in puller screws too far, since this might damage the radial sealing ring.



103-15493

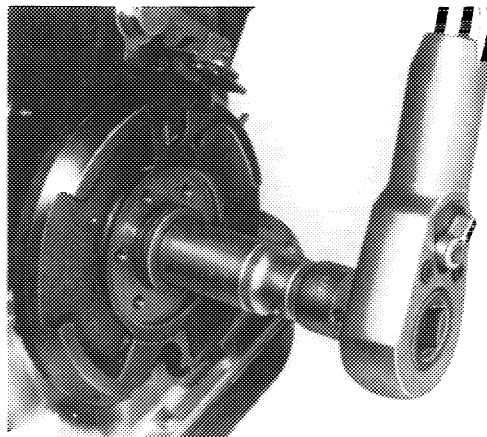
Installation

8 Place balancing disc on crankshaft in such a manner that the bores for the fitted pins are in alignment.

Note: The balancing disc is located on crankshaft by means of two offset fitted pins.

9 Mount balancing disc on crankshaft with screw M 18 x 1.5 x 45 and cup springs.

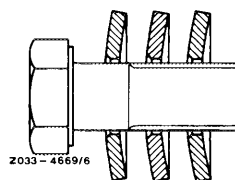
10 Knock-in both fitted pins.



103-15477

11 Mount the three cup springs with crown toward bolt head.

12 Lubricate bolt on crankshaft and tighten to 270–330 Nm, while applying counterhold to crankshaft with detent or steel bolt.



13 Install vibration damper, pulley, fan and radiator.

14 Tension V-belt.

Pulley, vibration damper and balancing disc

- 14 Adjusting indicator
- 15 Bolt M 18 x 1.5 x 45
- 16 Cup springs
- 17 6 bolts M 8 x 30
- 18 6 washers 8.4
- 19 Pulley
- 20 Vibration damper
- 23 2 fitted pins 8 x 8
- 24 Balancing disc
- 25 Radial sealing ring
- 26 Spacing ring
- 27 Woodruff key
- 28 Crankshaft gear (sprocket)

