

A. Model 107, 116, 123

Tightening torques	Nm
Self-locking nut at lateral support of clamp	7
Self-locking nut at exhaust manifold and exhaust flange connection	30
Hex. bolts of lateral support on transmission	20

Removal and installation of exhaust system is not fully explained, only a few particularly important items are described which must be observed during removal and installation or during partial renewal, e. g. of rear muffler with plug connection.

Removal

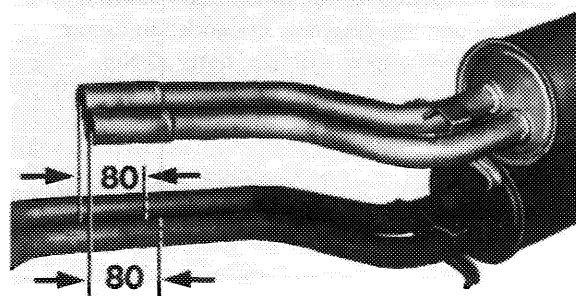
- 1 If a plug connection is hard to separate, heat exhaust pipes. For safety reasons, place a protective shield between frame floor and exhaust pipes of vehicle prior to heating pipes.
- 2 Check fastening member for re-use and replace, if required.

Installation

Renewal of rear muffler.

- 3 Place new rear muffler with plug connection accurately above removed system and mark pipe length of new rear muffler on removed unit.

Cut pipe 80 mm minus 10 mm from mark in direction of rear muffler to guarantee a plug-in depth of 70–80 mm.

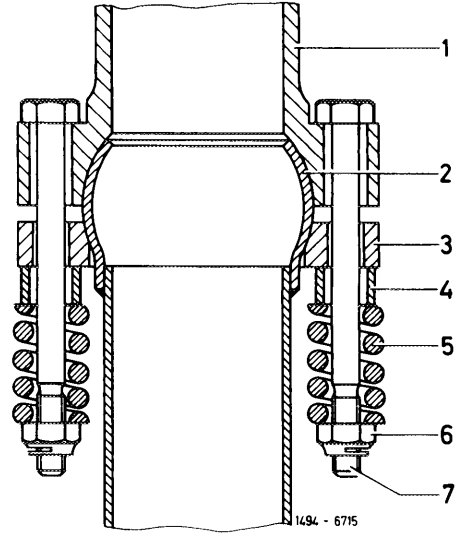


4 Always replace self-locking hex. nuts on principle.

5 Exhaust pipe – manifold connection of 1st version.

Uniformly tighten spring (5) coil to coil, then loosen again by 2–3 turns.

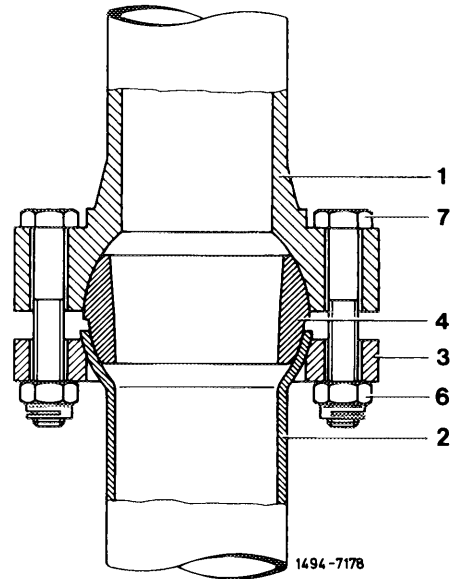
- 1 Exhaust manifold
- 2 Exhaust pipe with ball
- 3 Flange
- 4 Spacing member
- 5 Spring
- 6 Self-locking hex. nut
- 7 Hex. bolt



6 Exhaust pipe – manifold connection of 2nd version.

Tighten flange connection to exhaust manifold only after the complete system is suspended in rubber rings. Pay attention to correct seat of ball connection (4). Tightening torque of hex. bolts 30 Nm.

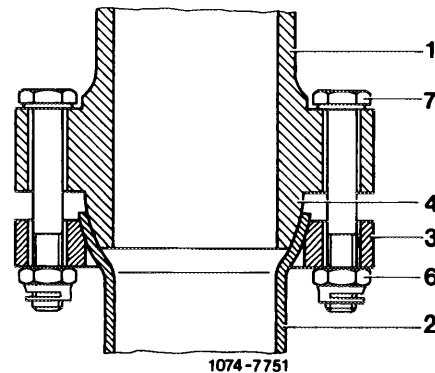
- 1 Exhaust manifold
- 2 Flared exhaust pipe
- 3 Flange
- 4 Ball connection
- 6 Self-locking hex. nut
- 7 Hex. bolt



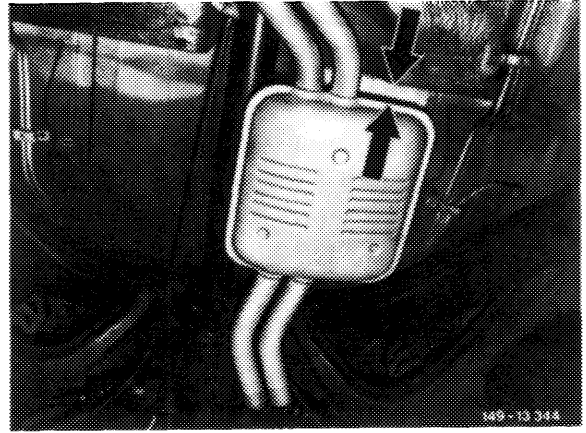
7 Exhaust pipe – manifold connection of 3rd version.

Tighten flange connection of exhaust manifold only after the complete system is suspended in rubber rings. Tightening torque of hex. bolts 30 Nm.

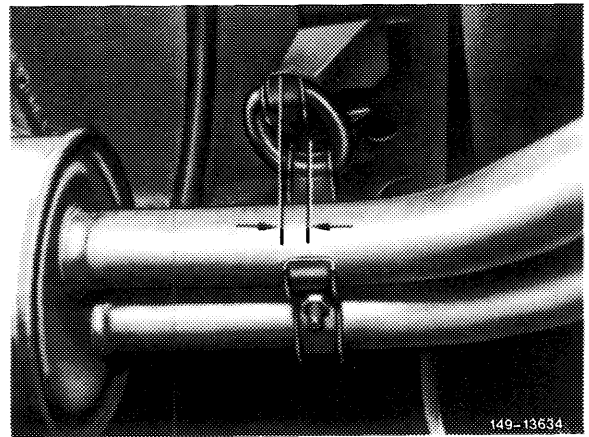
- 1 Exhaust manifold with outer ball
- 2 Flared exhaust pipe
- 3 Flange
- 4 Ball connection firmly connected to exhaust manifold
- 6 Self-locking hex. nut
- 7 Hex. bolt



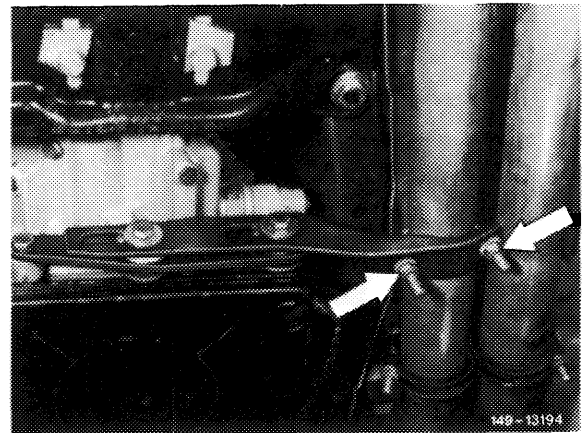
8 Pay attention to distance between center muffler and frame floor (distance approx. 20 mm, arrows).



9 Mount rear muffler in such a manner that the clamps of the rear muffler are located approx. 10 mm in front of holders on frame floor (arrows), so that the correct installation position is assured if the system becomes elongated.

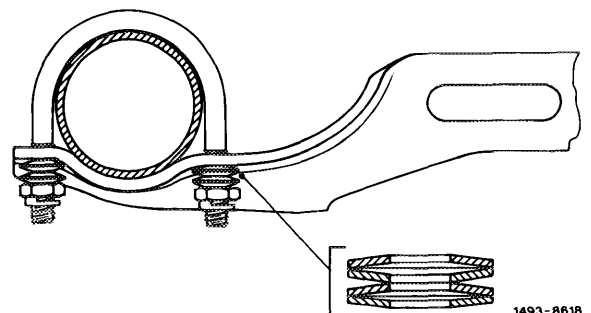


10 On vehicles with lateral support on transmission, mount lateral support free of tension. Mount clamps with 4 cup springs each in front of self-locking hex nuts and tighten to 7 Nm (arrows).



Model 123

Note: Mount 4 cup springs each per side on holding bracket in such a manner that the respective crowns are opposite each other (as shown in illustration).

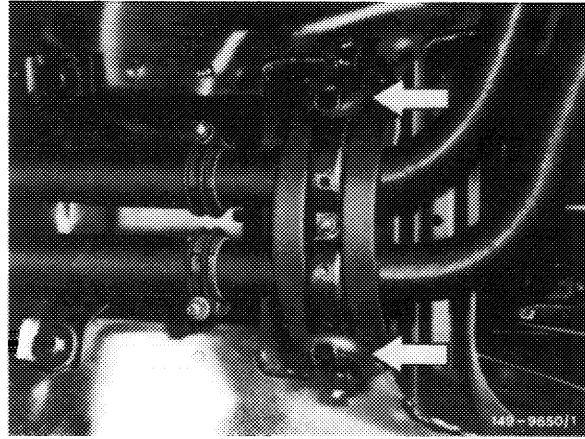


Layout of 4 cup springs on clamp

Note: Rubber rings are available in two versions of shore hardness. Hardness is recognized by compressing rings.

11 On front suspension of exhaust on model 116 use softer rubber rings only (arrows).

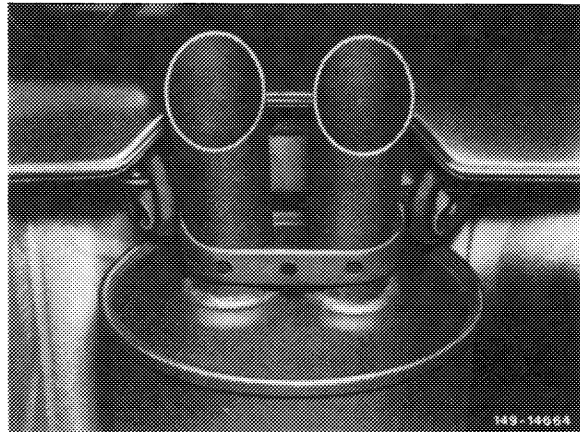
Model 116



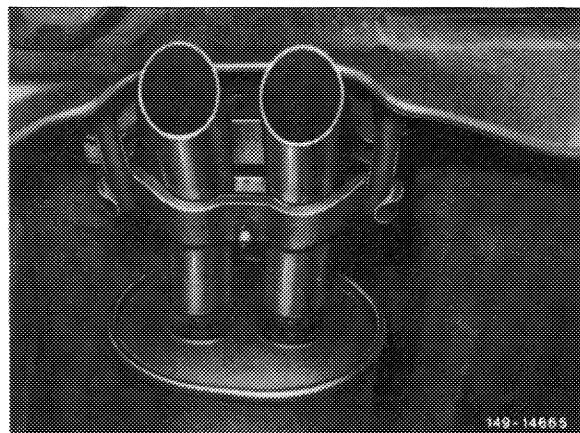
12 Repair solution for rear muffler on model 116.

Since the end of October 1977 rear mufflers are installed with tailpipes sloping in downward direction. Only this type of pipes may be used as a spare part, also for vehicles with straight tailpipes. Since the rear muffler is delivered without the rear holder, two different holding bracket repair kits are available.

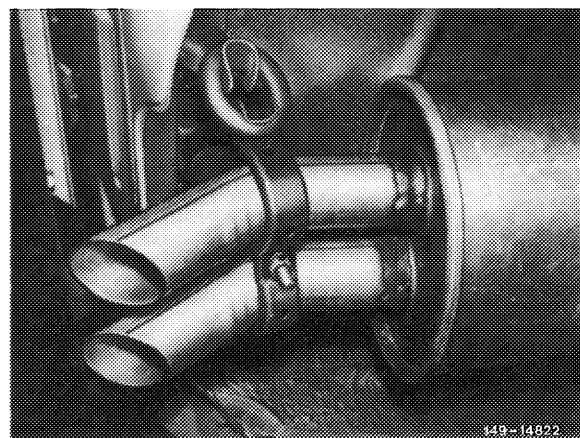
Rear holding bracket, welded
Rear muffler modified from start of series



Rear holding bracket, screw-type
Rear muffler modified up to start of series



Rear holding bracket, screw-type
Rear muffler modified from start of series



13 Run engine and check exhaust system for leaks.

B. Model 126

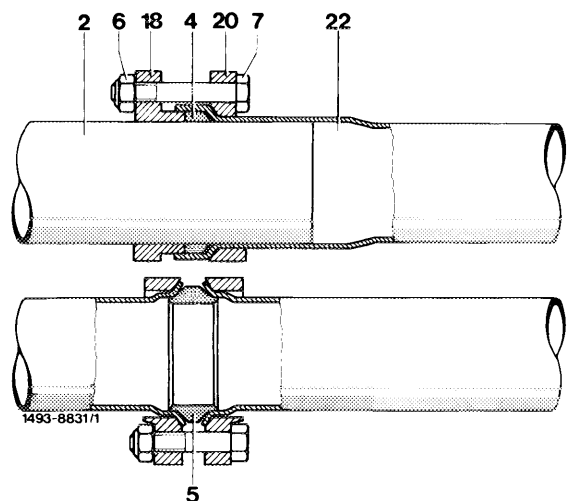
Tightening torques	Nm
Self-locking hex. nuts at lateral support of clamp	7
Self-locking hex. nuts at exhaust manifold and exhaust flange connection	30
Self-locking hex. nut of exhaust pipe flange connection	20
Hex. bolts of lateral support on transmission	20

Removal and installation of exhaust system is not fully explained, only a few particularly important items are described which must be observed during removal and installation or during partial renewal, e. g. of rear muffler with plug connection.

Removal

1 Check suspension members for re-use and replace, if required.

2 Prior to assembly of exhaust system make sure that the flanges for exhaust manifold are not distorted and straighten flange, if required. If required, clean cone connections of pipes (2 and 22) with emery cloth from combustion or corrosion residue.

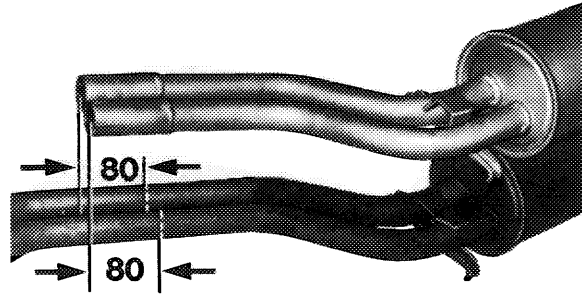


Installation

Replacement of rear muffler

3 Place new rear muffler with plug connection accurately above removed unit and mark pipe length of new rear muffler on removed unit.

Cut pipe 80 mm minus 10 mm from mark in direction of rear muffler to guarantee a plug-in depth of 70–80 mm.



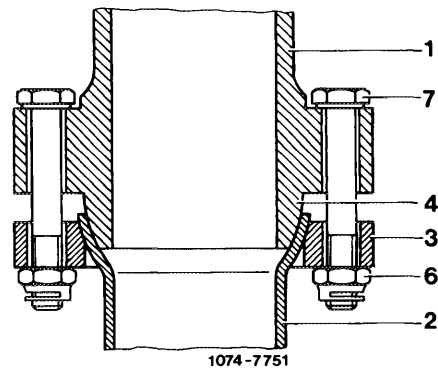
149-13368

4 Always replace self-locking hex. nuts and sintered sealing ring on principle.

5 Exhaust pipe – manifold connection.

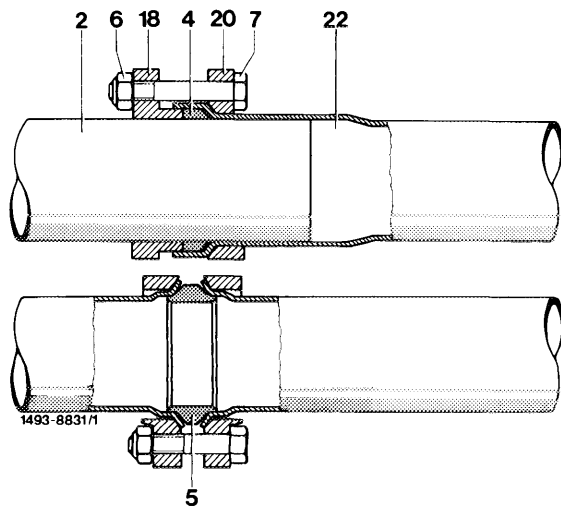
Tighten flange connection to exhaust manifold only after the complete system is suspended in rubber rings. Tightening torque of hex. bolts 30 Nm.

- 1 Exhaust manifold with outer ball
- 2 Flared exhaust pipe
- 3 Flange
- 4 Ball connection rigidly connected to exhaust manifold
- 6 Self-locking hex. nut
- 7 Hex. bolt



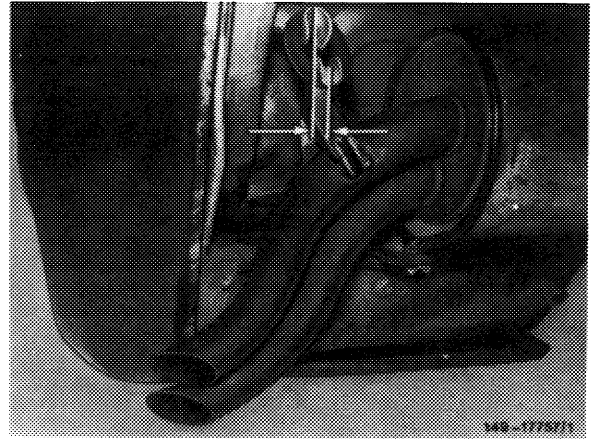
6 Mount sealing ring (4) and sintered sealing ring (5) on flange connection and pay attention to correct seat. Tightening torque of self-locking hex. nuts 20 Nm.

- 2 Front exhaust pipe
- 4 Sealing ring
- 5 Sintered sealing ring
- 6 Self-locking hex. nut
- 7 Hex. bolt
- 18 Flange, front
- 20 Flange, rear
- 22 Rear exhaust pipe

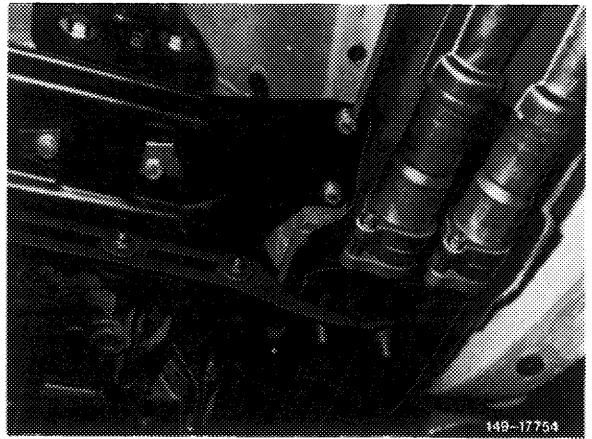


7 Mount rear muffler in such a manner that the clamps of the rear muffler are located approx. 10 mm in front of holders on frame floor (arrow), so that the correct installation position is assured if the system becomes elongated.

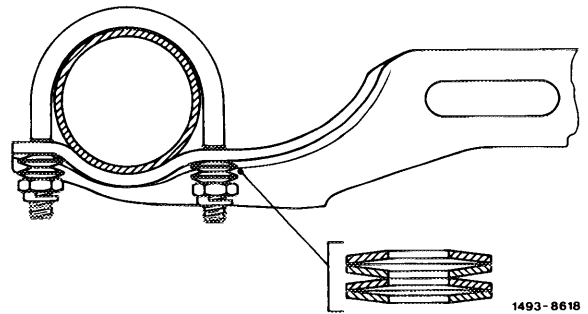
Note: The above applies only to mufflers of the repair version with plug connection between center and rear muffler.



8 Mount exhaust lateral support free of tension. Tightening torque of self-locking hex. nuts on clamp 7 Nm, hex. bolts of lateral support on transmission 20 Nm.

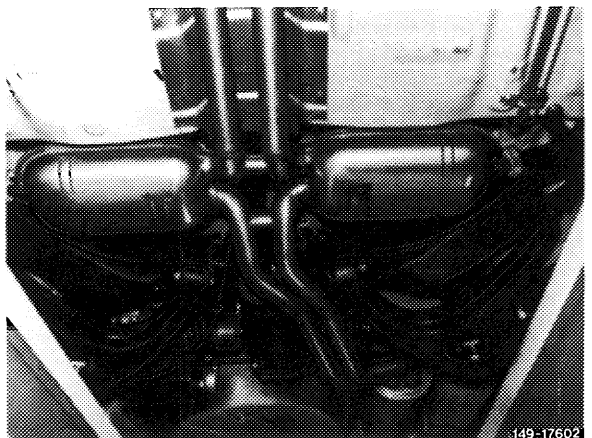


Note: Mount 4 cup springs each per side on clamp in such a manner that their respective crowns are opposite to each other (as shown in Fig.).

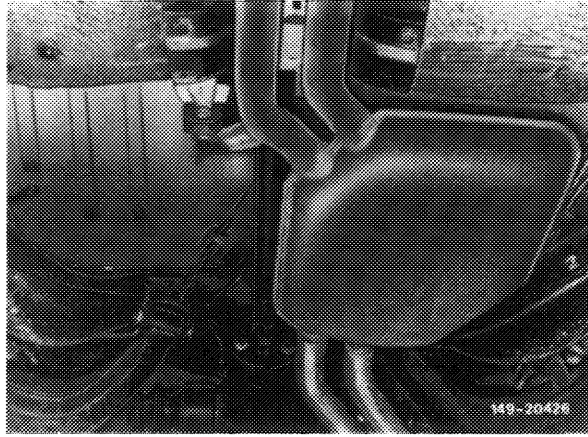


Layout of 4 cup springs on clamp

9 Center muffler 1st version (up to September 1980).



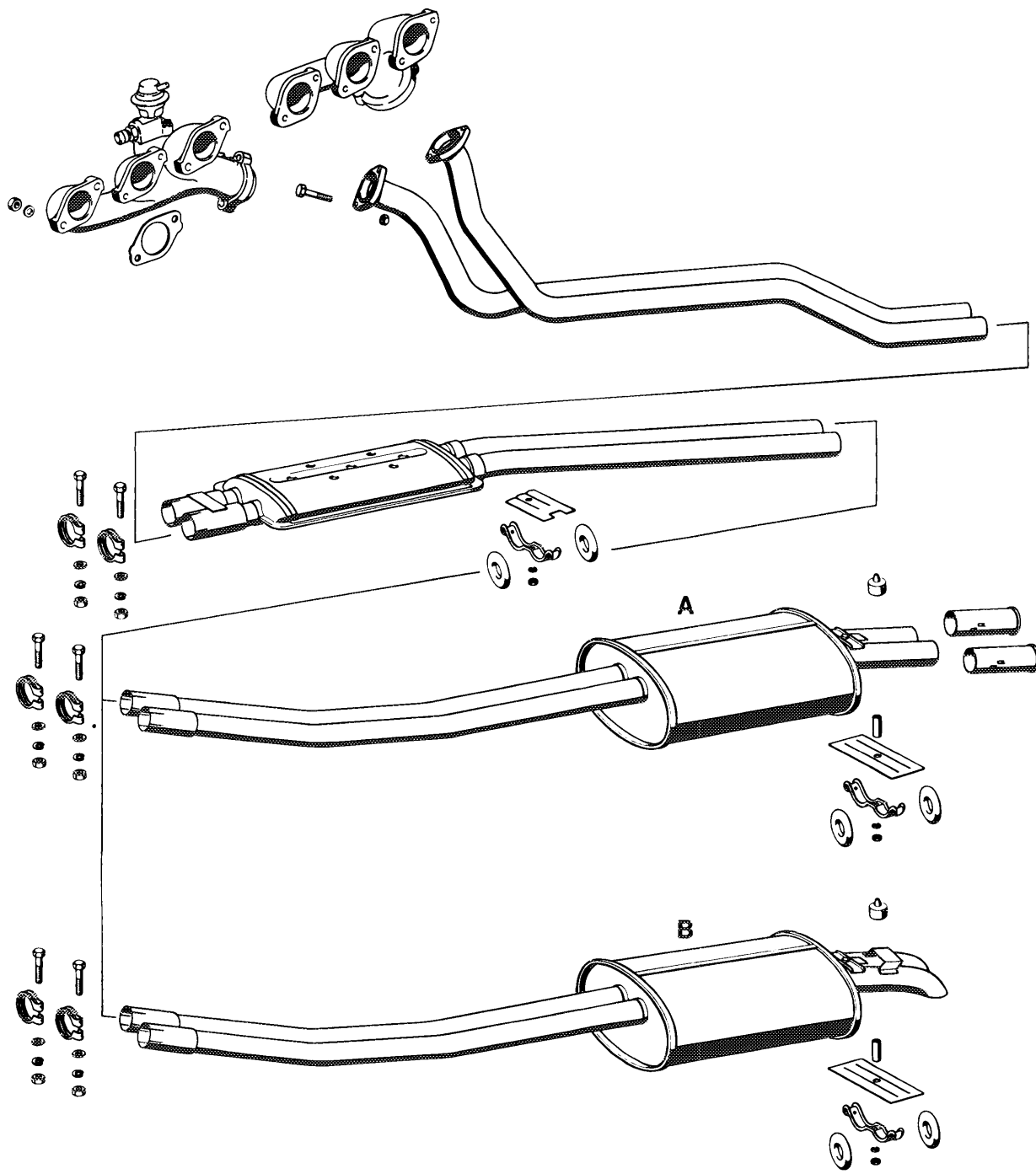
10 Center muffler 2nd version (starting October 1980).



11 Run engine and check exhaust system for leaks.

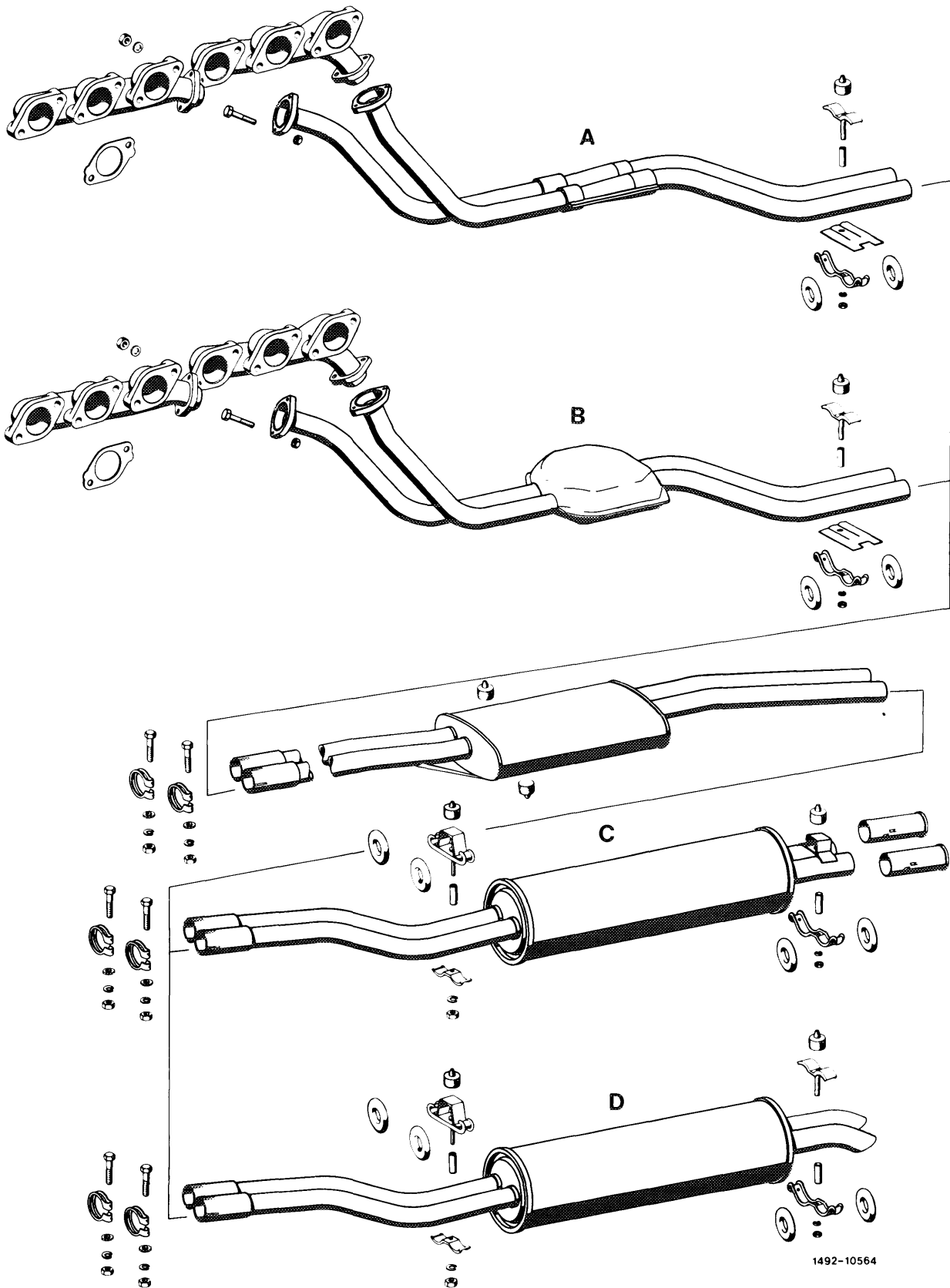
Exhaust manifold with complete exhaust system

Model 107.022/042



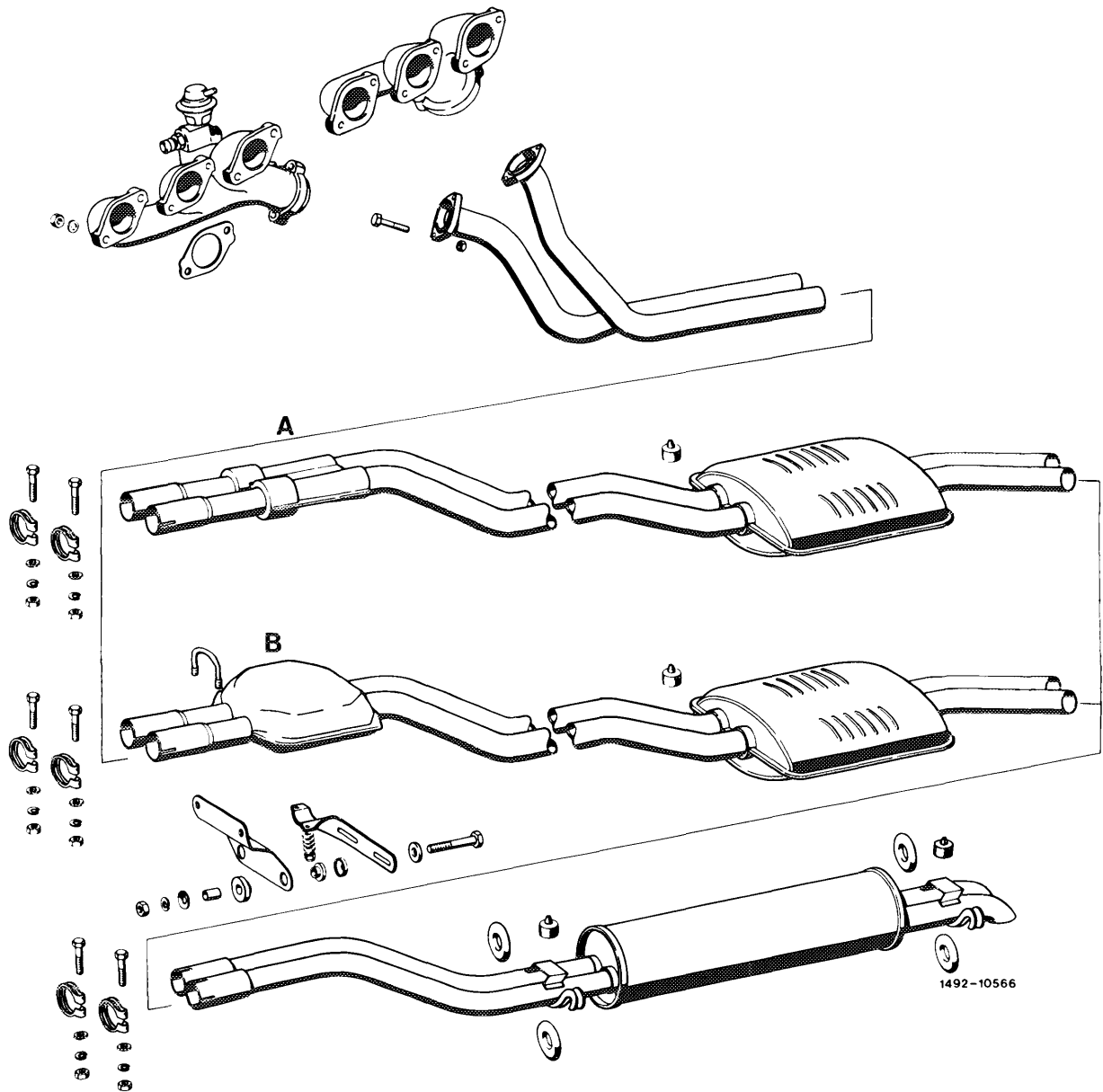
- A Rear muffler with straight tailpipes (up to September 1977)
- B Rear muffler with tailpipes sloping in downward direction (starting October 1977)

1492-10567



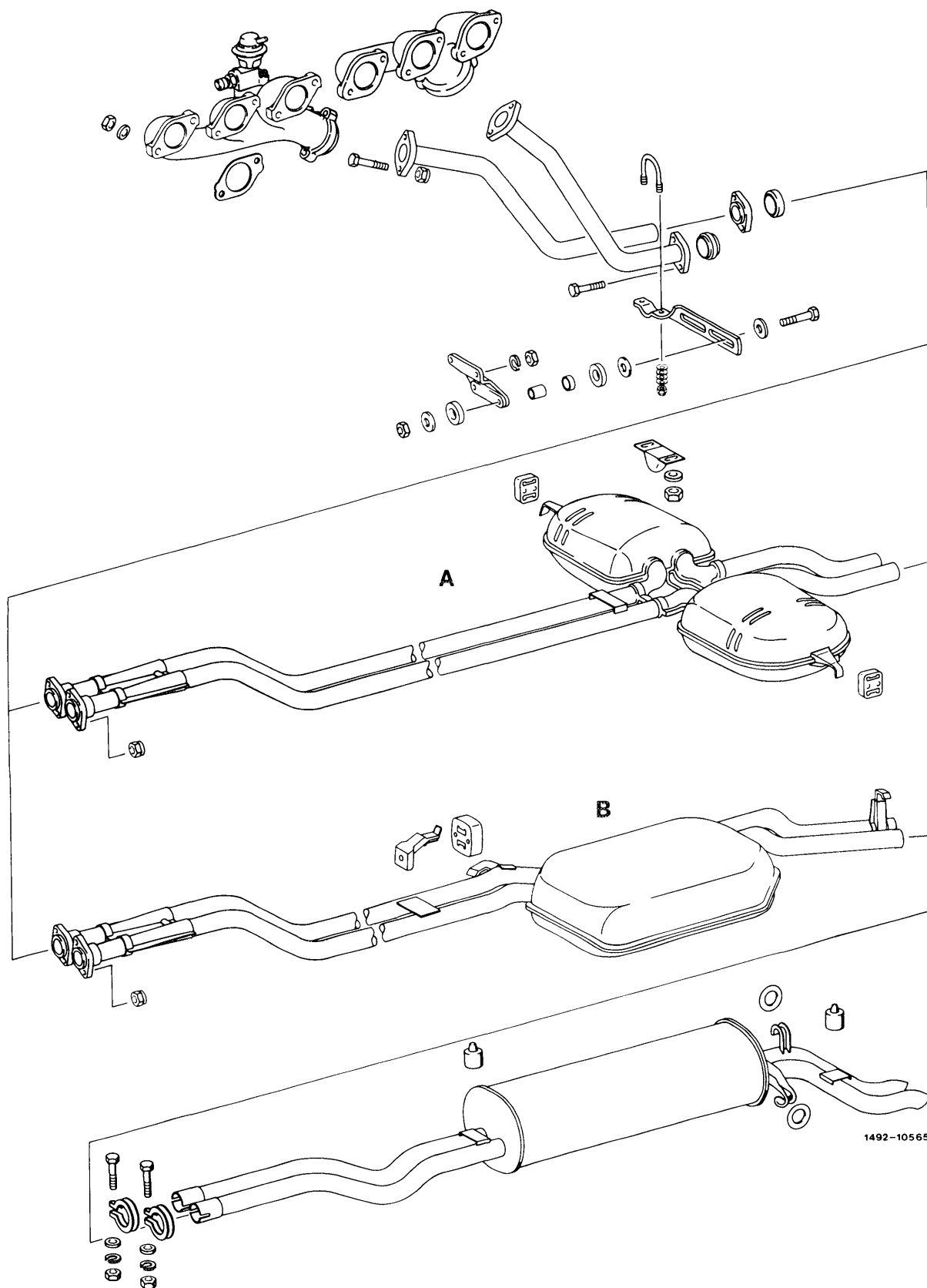
1492-10564

- A 1st version (up to March 1978)
- B 2nd version (starting April 1978)
- C Rear muffler with straight tailpipes (up to September 1977)
- D Rear muffler with tailpipes sloping in downward direction (starting October 1977)



- A 1st version (up to April 1978)
- B 2nd version (starting May 1978)

Model 126.02



1492-10565

- A 1st version (up to September 1980)
- B 2nd version (starting October 1980)