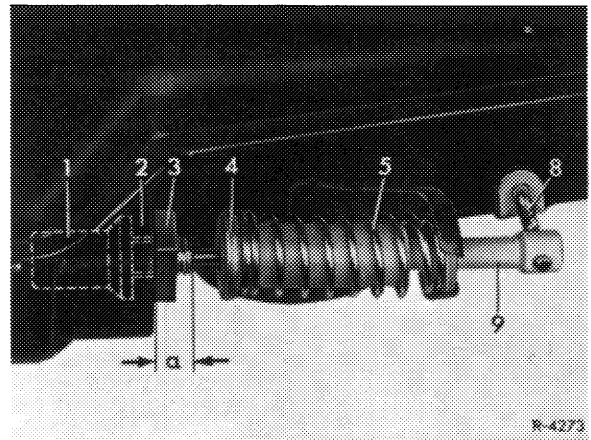
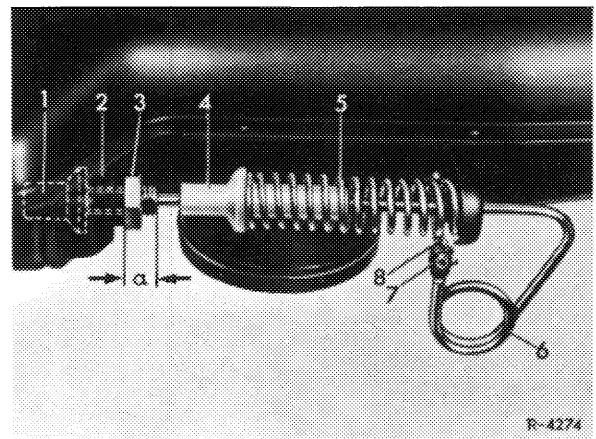


Preheating of the intake air is automatically controlled by a thermostat (1) installed in intake pipe of air filter and by an air valve (8).



Knecht version



Mann und Hummel version

At thermostat temperature:

Below + 15 °C the fresh air input is closed by air valve (8) via duct "a". The warm air input via duct "b" is opened by the air valve, so that air preheated by the exhaust manifold will be drawn in.

Above + 35 °C the warm air supply is closed by air valve (8) via duct "b", so that only fresh air will be drawn in via duct "a".

