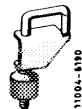


07.3–275 Removal and installation of fuel filter

Special tool

Clamp for hose lines



000 589 40 37 00

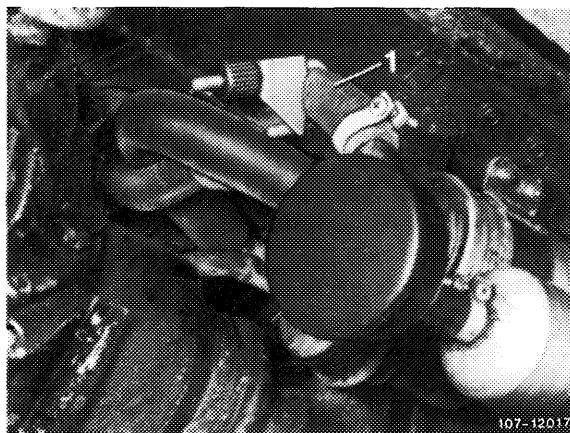
Note

The fuel filter is especially provided with an integrated damper for silencing. To prevent contact corrosion, the fuel filter is provided with a plastic sleeve.

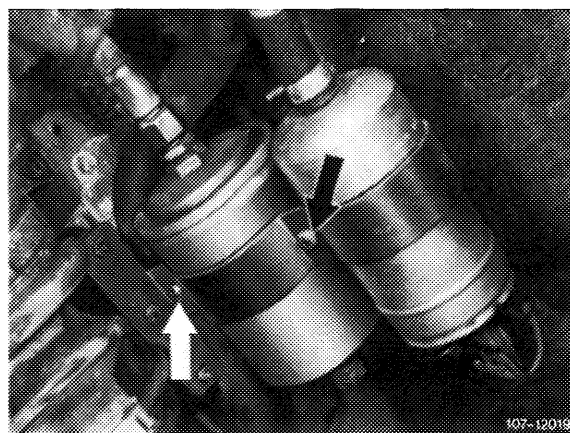
When exchanging fuel filter, make sure that the plastic sleeve is installed between fuel filter and mounting bracket. Also make sure that sleeve projects on both sides of bracket, since direct contact of fuel filter with bracket may result in contact corrosion.

Removal

- 1 Unscrew protective case.
- 2 Pinch fuel suction hose (1) with a clamp.

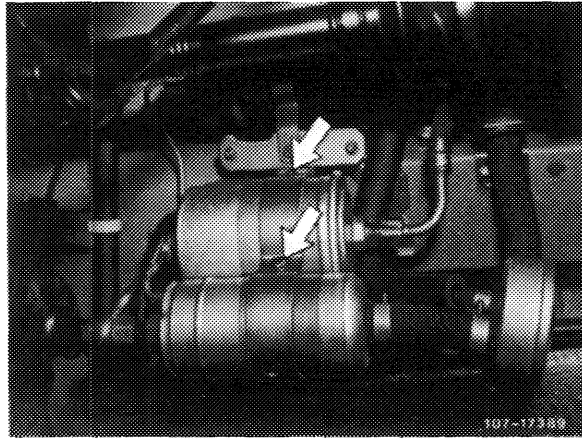


- 3 Unscrew fuel line and fuel hose from fuel filter.
- 4 Loosen both fastening screws (arrow) and remove fuel filter.

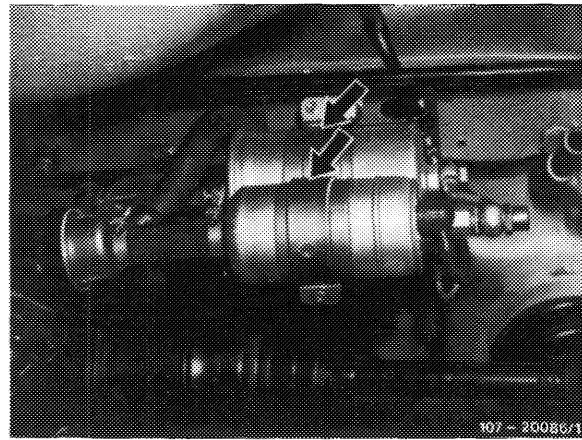


1st version

2nd version

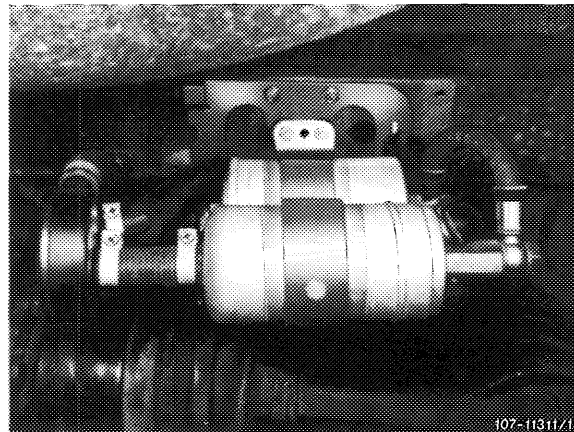


3rd version

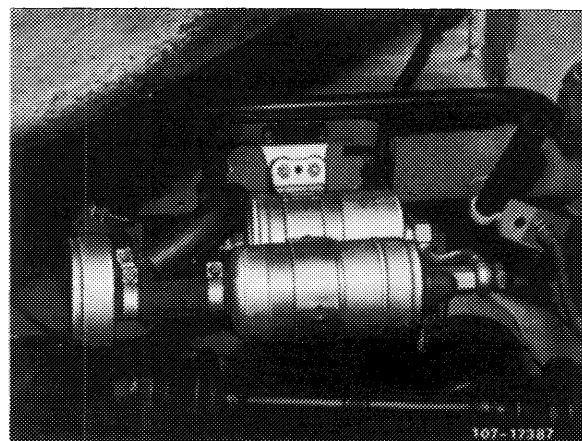


Installation

- 5 For installation proceed vice versa, using new sealing rings.
- 6 Locate fuel filter with plastic sleeve in holder. Plastic sleeve should project on both sides of holder, since direct contact of fuel filter with holder may lead to contact corrosion.

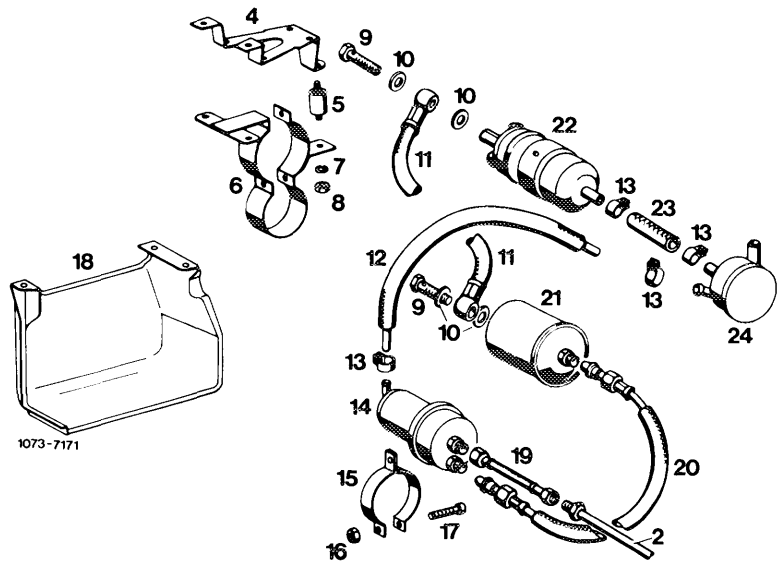


- 7 Remove clamp on fuel suction hose.
- 8 Run engine and check for leaks.
- 9 Mount protective case.

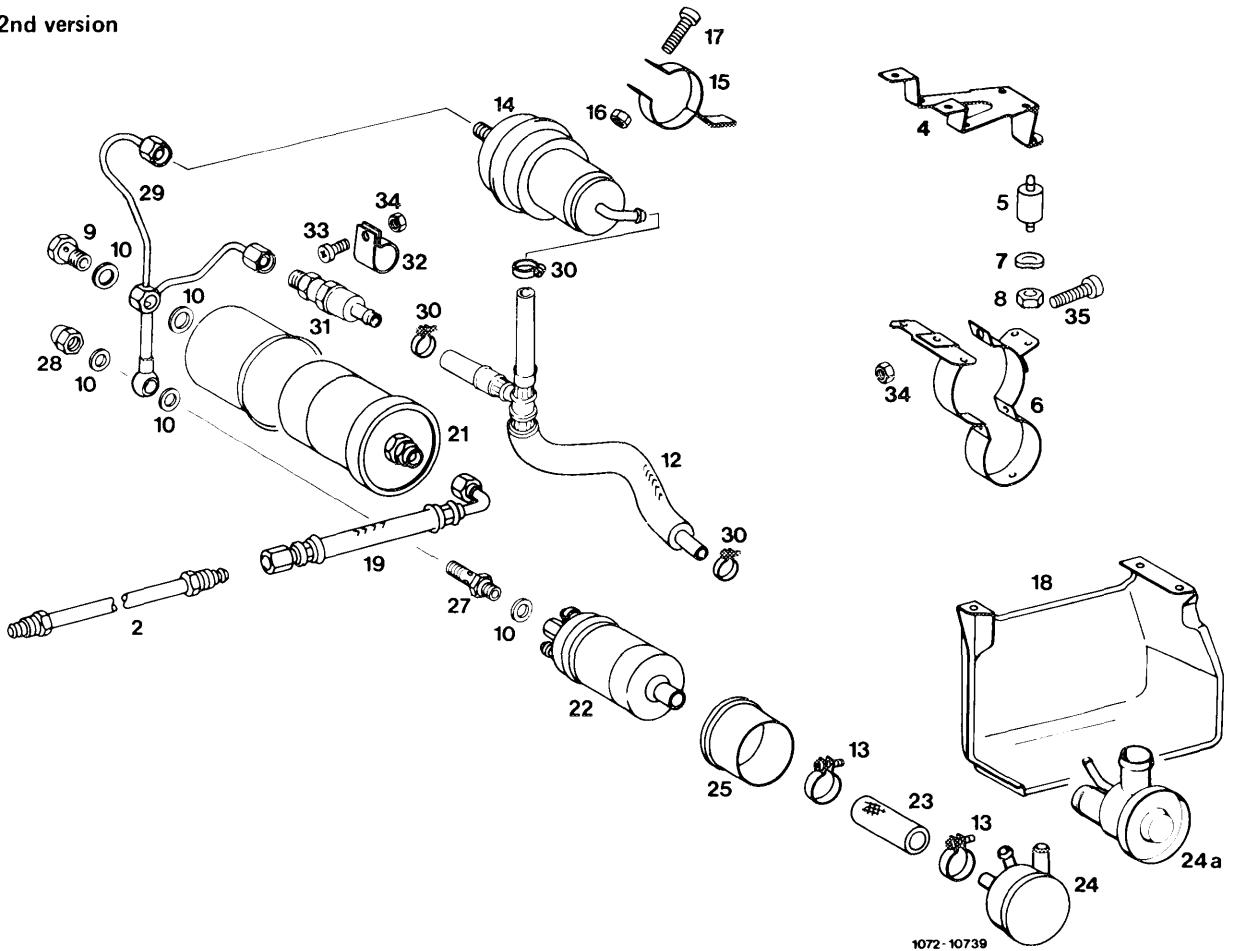


1st version

- 2 Fuel feed line
- 4 Mounting bracket
- 5 Anti-vibration buffer
- 6 Holder
- 7 Snap ring
- 8 Nut
- 9 Hollow screw
- 10 Sealing ring
- 11 Fuel hose
- 12 Fuel hose
- 13 Hose clamp
- 14 Fuel reservoir
- 15 Holder
- 16 Nut
- 17 Screw
- 18 Protective case
- 19 Fuel hose
- 20 Fuel hose
- 21 Fuel filter
- 22 Fuel pump
- 23 Fuel hose
- 24 Damper

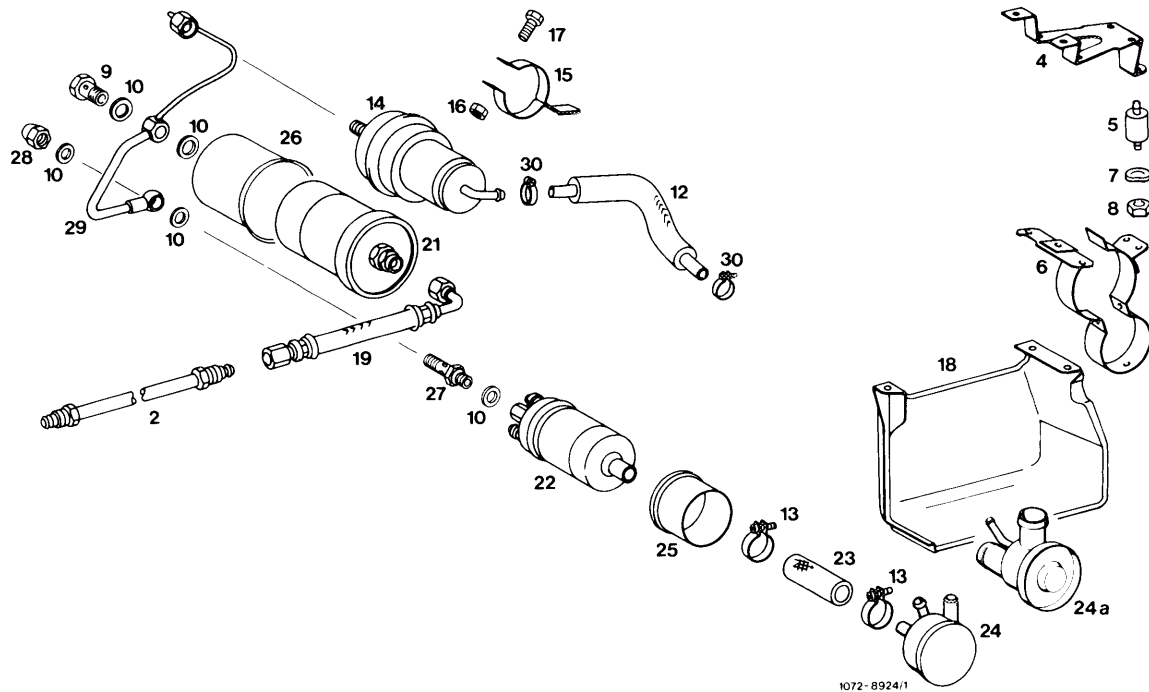


2nd version



- | | | |
|-------------------------|-----------------------|--------------------------|
| 2 Fuel feed line | 16 Nut | 27 Check valve |
| 4 Mounting bracket | 17 Screw | 28 Cap nut |
| 5 Anti-vibration buffer | 18 Protective case | 29 Steel line |
| 6 Holder | 19 Fuel hose | 30 Hose clamp |
| 7 Snap ring | 21 Fuel filter | 31 Pressure relief valve |
| 8 Nut | 22 Fuel pump | 32 Clamp |
| 9 Hollow screw | 23 Fuel hose | 33 Screw |
| 10 Sealing ring | 24 Damper 1st version | 34 Nut |
| 12 Fuel hose | 24a Diaphragm damper | 35 Screw |
| 13 Hose clamp | 25 Plastic sleeve | |
| 14 Fuel reservoir | 26 Plastic sleeve | |
| 15 Holder | | |

3rd version



1072-8924/1

- | | | | | | |
|----|-----------------------|----|--------------------|-----|------------------|
| 2 | Fuel feed line | 14 | Fuel reservoir | 24a | Diaphragm damper |
| 4 | Mounting bracket | 15 | Holder | | 2nd version |
| 5 | Anti-vibration buffer | 16 | Nut | 25 | Plastic sleeve |
| 6 | Holder | 17 | Screw | 26 | Plastic sleeve |
| 7 | Snap ring | 18 | Protective case | 27 | Check valve |
| 8 | Nut | 19 | Fuel hose | 28 | Cap nut |
| 9 | Hollow screw | 21 | Fuel filter | 29 | Steel line |
| 10 | Sealing ring | 22 | Fuel pump | 30 | Hose clamp |
| 12 | Fuel hose | 23 | Fuel hose | | |
| 13 | Hose clamp | 24 | Damper 1st version | | |