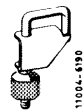


Testing and adjusting values

Begin of injection	immediately
--------------------	-------------

Special tool

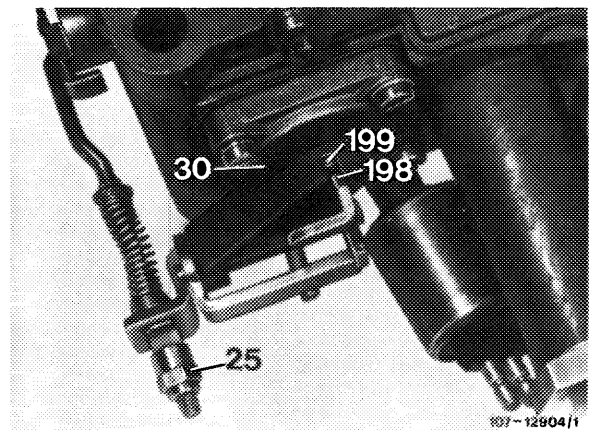
Clamp



000 589 40 37 00

Removal

- 1 Remove air filter.
- 2 Remove cover (30) after loosening fastening screws.
- 3 Remove diaphragm and compression spring.
- 4 Clean pump chamber.



Installation

- 5 Install new diaphragm, if required.

Note: Insert compression spring in such a manner that the large diameter faces the pump chamber. When tightening fastening screws of cover, operate throttle valve lever to full extent.

- 6 Adjust accelerating pump (07.2–150).