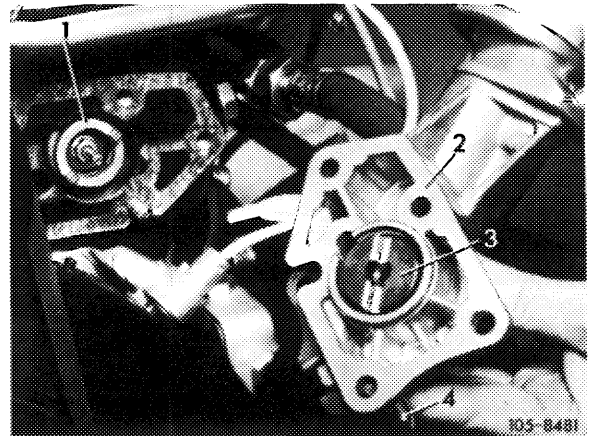


**Removal**

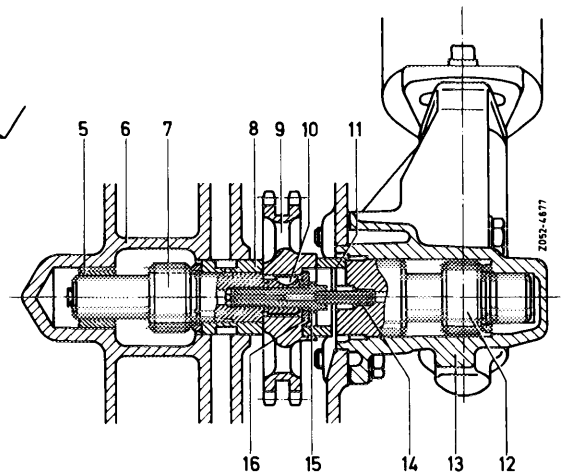
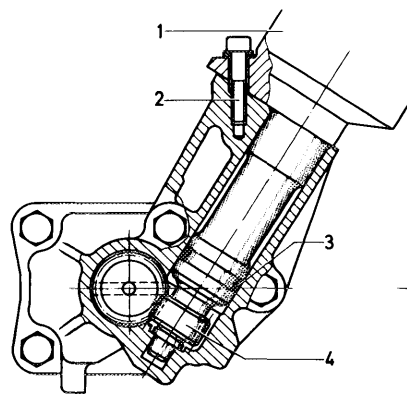
1 Remove radiator and fan.

2 Remove distributor housing (2) with distributor and take off dog (1).

3 Mark location of drive gear (3) to distributor housing.



**Installation**



4 If drive gear has been taken out, coat it with engine oil and slide it into distributor housing, watching marks.

5 Place dog (11) on intermediate wheel (9) and install distributor housing (13) with a new gasket, also bolting the TDC pointer.

6 Check and adjust distributor adjustment (07.5—510).

7 Install fan and radiator.

- 1 Distributor
- 2 Screw M 6 x 30
- 3 Seal
- 4 Distributor drive gear
- 5 Rear bearing bushing
- 6 Crankcase
- 7 Intermediate wheel shaft
- 8 Front bearing bushing
- 9 Intermediate wheel
- 10 Woodruff key 3 x 3.7
- 11 Dog
- 12 Distributor drive gear
- 13 Distributor housing
- 14 Oil tube
- 15 Bolt with oil tube (14)
- 16 Washer