

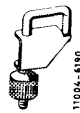
## 47--700 Removal and installation of fuel tank

### Filling capacities in litres

Model	107	116
Full readout	approx. 90	approx. 96
Warning light -- reserve	11-13	
<b>Tightening torques</b>		
	Nm	(kpm)
Fastening screws or fastening nuts for fuel tank	20-25	(2-2.5)
Immersion tube transmitter	with O-ring	20-30 (2-3)
	with cork seal	3-4 (0.3-0.4)

### Special tool

Clamp for fuel hose



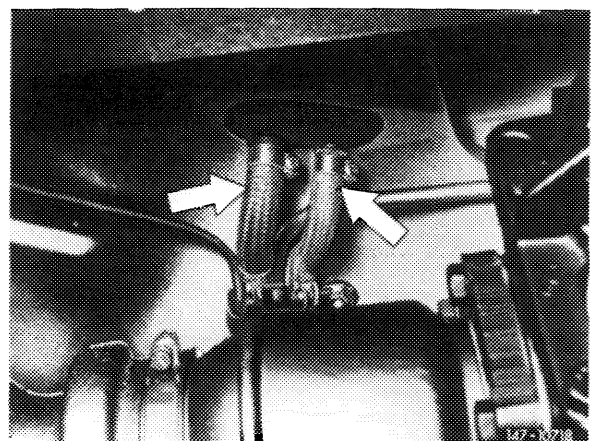
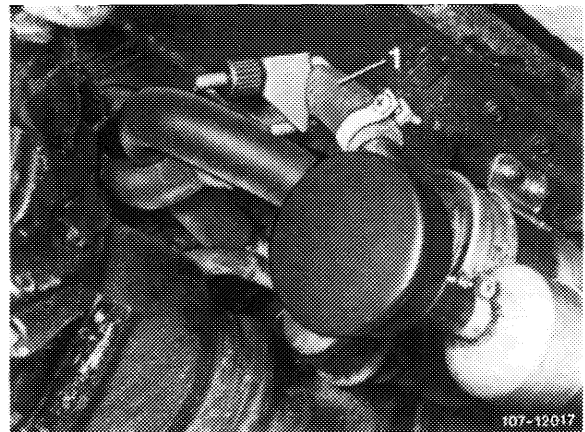
000 589 40 37 00

### Attention!

When removing fuel tank, pay attention to safety rules.

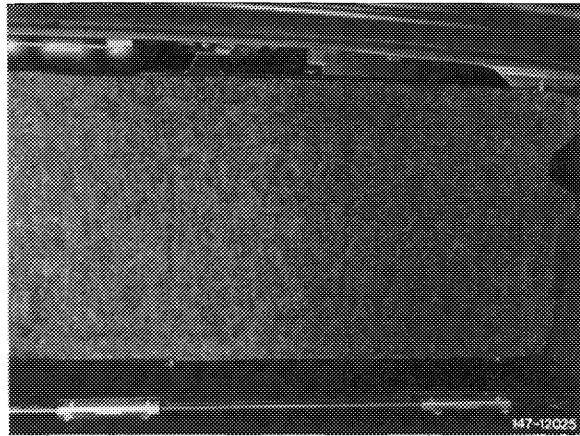
### Removal

- 1 Disconnect (pinch) fuel suction hose (1) with a clamp.
- 2 Loosen fuel suction hose on damper reservoir and pull-off. Loosen clamp and drain fuel.
- 3 Loosen fuel return hose and breather hose on fuel tank and pull-off (arrows).

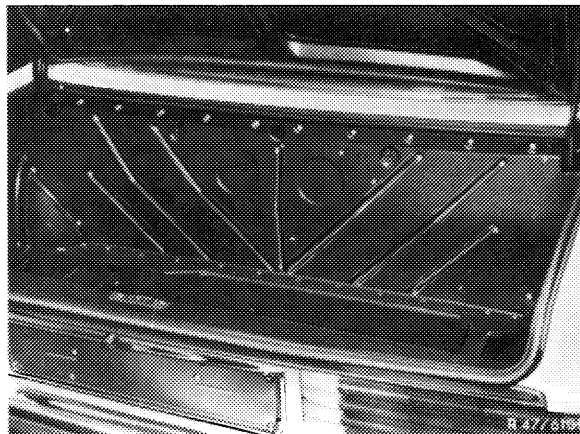


4 Remove rubber mat and vehicle jack from trunk.

5 Unscrew rear wall and remove.

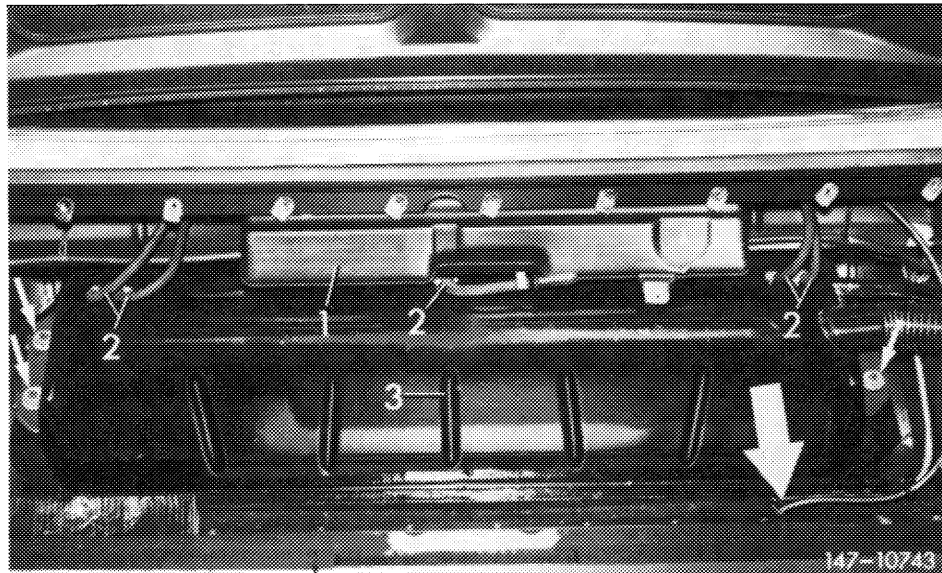


Model 107.02, 116



Model 107.04

6 On model 107.04 remove fuel hoses (2) to expansion tank on fuel tank.



Model 107.04

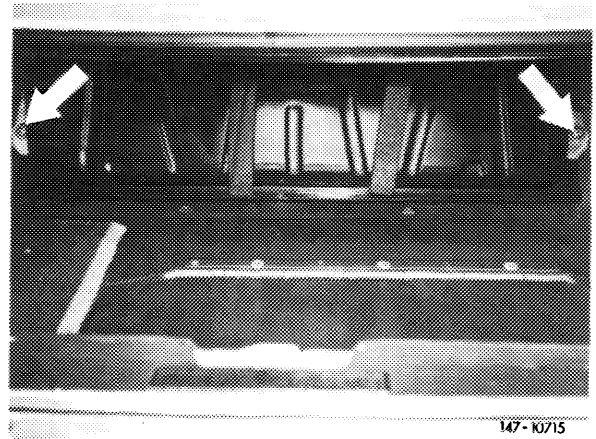
7 Loosen fuel tank fastening screws or fastening nuts (arrows).

8 Remove fuel tank, while pulling cable plug connection from immersion tube transmitter and protect against slipping by means of a wire.

### Installation

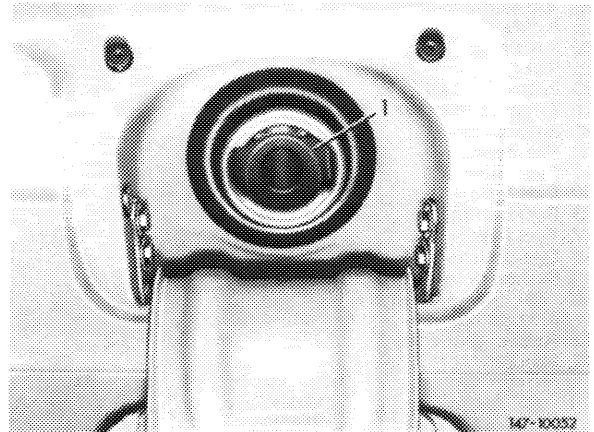
9 Install fuel tank in vice versa sequence, proceed as follows:

- a) Check whether foam rubber strips on fuel tank are tight, glue down if required.
- b) Mount fuel tank with specified reinforcing shims and washers.
- c) Pay attention to correct seat of rubber sleeve on fuel filler neck.
- d) Prior to slipping fuel tank completely into tank mount, plug-on cable plug connection of immersion tube transmitter.

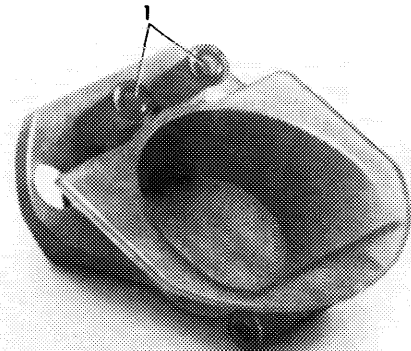


### **USA** model year 1975

On these vehicles, the small size of the dispensing guns for lead-free fuel requires a guide funnel (1) installed in filler neck.

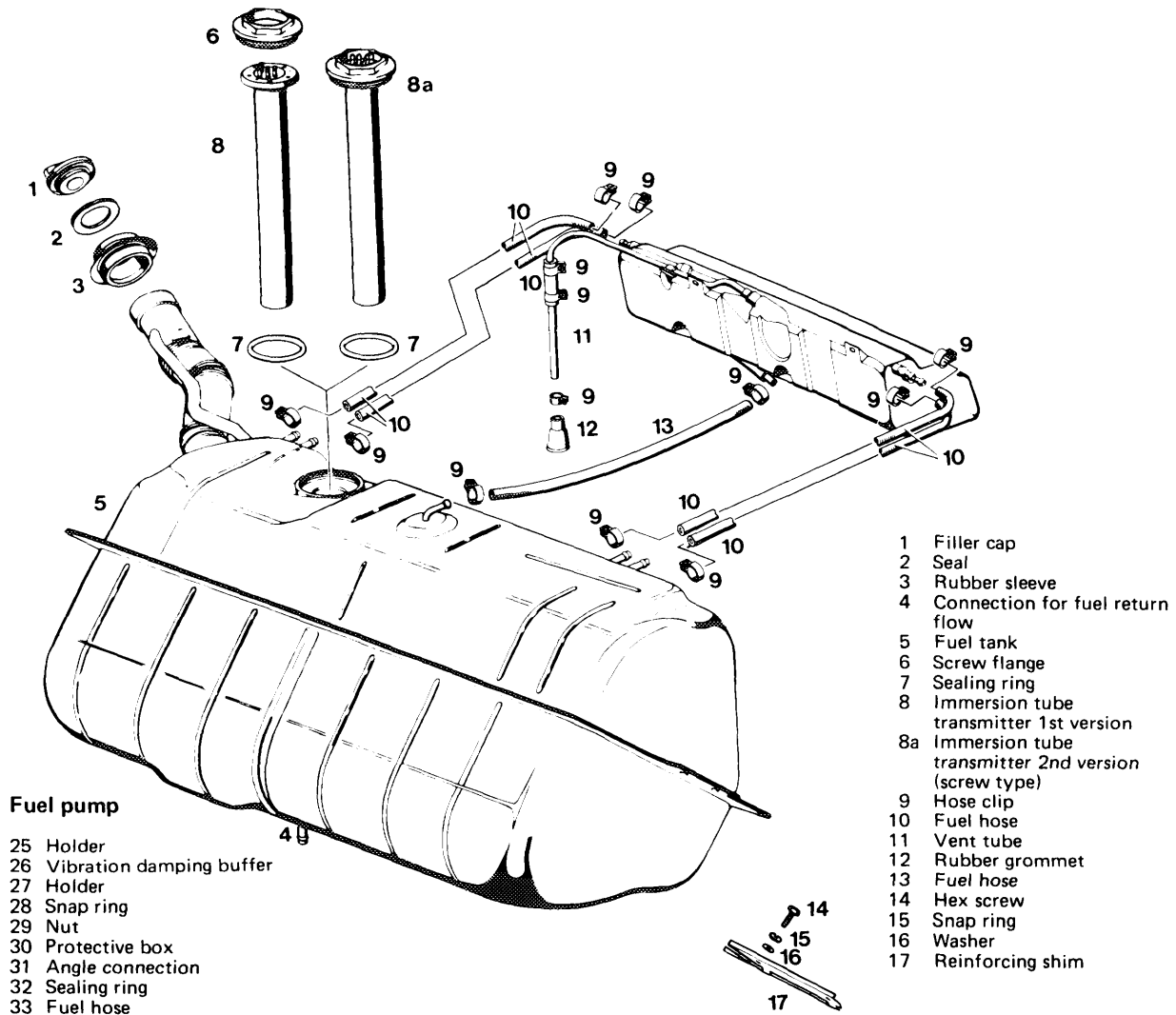


If the fuel tank of such a vehicle is replaced, also install a guide funnel on **USA vehicles only**. For this purpose, place guide funnel into filler neck prior to assembly of fuel tank and knock-in fastening rivets (1) with a mandrel up to stop.



Fuel system, fuel tank breathing system (positive and negative venting)

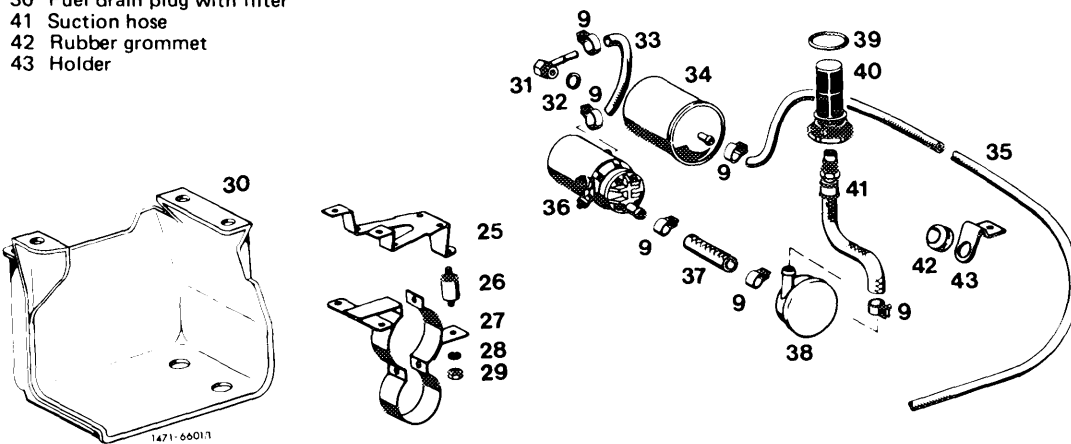
Model 107.04



- 1 Filler cap
- 2 Seal
- 3 Rubber sleeve
- 4 Connection for fuel return flow
- 5 Fuel tank
- 6 Screw flange
- 7 Sealing ring
- 8 Immersion tube transmitter 1st version
- 8a Immersion tube transmitter 2nd version (screw type)
- 9 Hose clip
- 10 Fuel hose
- 11 Vent tube
- 12 Rubber grommet
- 13 Fuel hose
- 14 Hex screw
- 15 Snap ring
- 16 Washer
- 17 Reinforcing shim

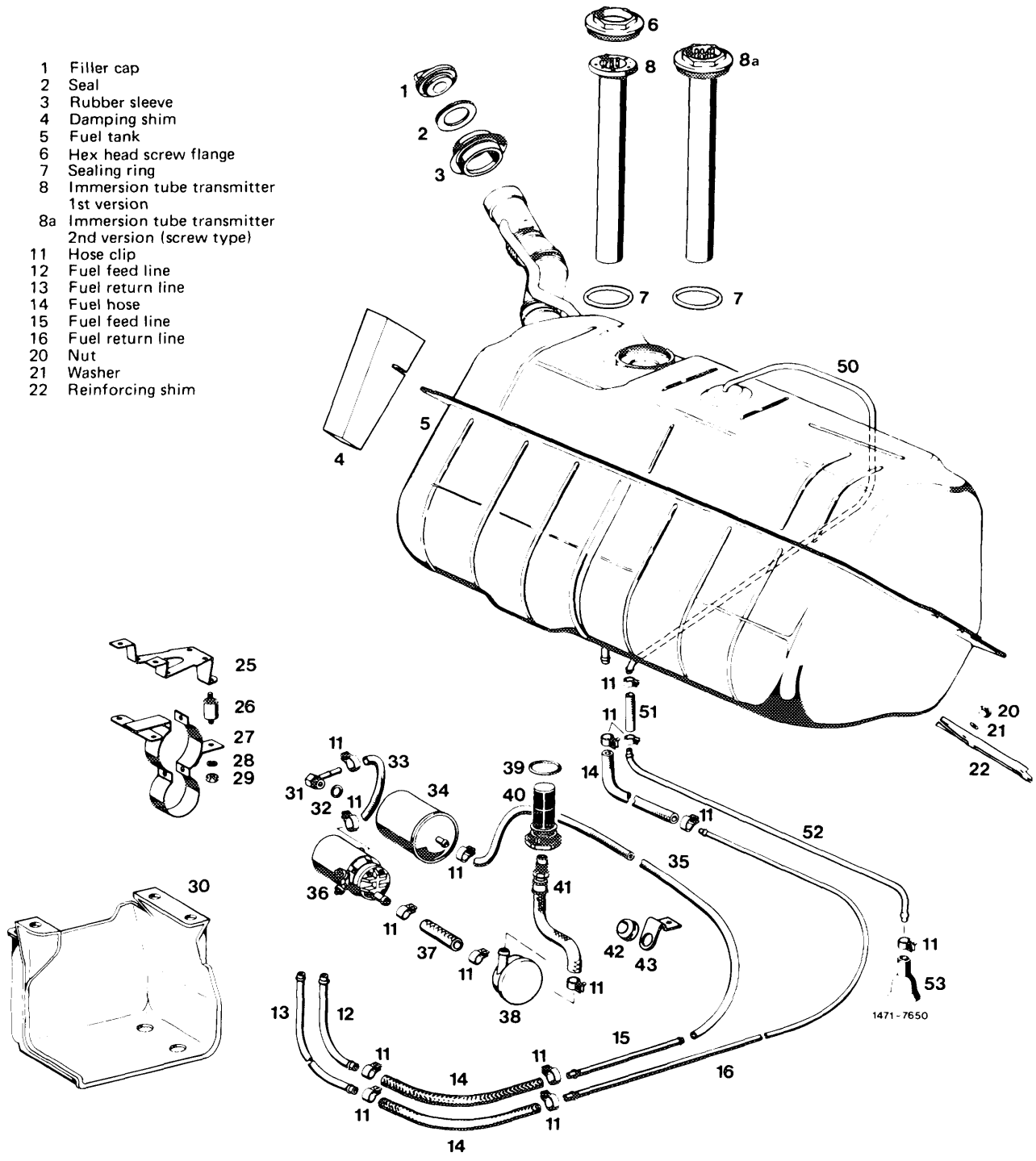
Fuel pump

- 25 Holder
- 26 Vibration damping buffer
- 27 Holder
- 28 Snap ring
- 29 Nut
- 30 Protective box
- 31 Angle connection
- 32 Sealing ring
- 33 Fuel hose
- 34 Fuel filter
- 35 Fuel hose
- 36 Fuel pump
- 37 Fuel hose
- 38 Damper container
- 39 Sealing ring
- 40 Fuel drain plug with filter
- 41 Suction hose
- 42 Rubber grommet
- 43 Holder



Model 107.02, 116

- 1 Filler cap
- 2 Seal
- 3 Rubber sleeve
- 4 Damping shim
- 5 Fuel tank
- 6 Hex head screw flange
- 7 Sealing ring
- 8 Immersion tube transmitter  
1st version
- 8a Immersion tube transmitter  
2nd version (screw type)
- 11 Hose clip
- 12 Fuel feed line
- 13 Fuel return line
- 14 Fuel hose
- 15 Fuel feed line
- 16 Fuel return line
- 20 Nut
- 21 Washer
- 22 Reinforcing shim



**Fuel pump**

- 25 Holder
- 26 Vibration damping buffer
- 27 Holder
- 28 Snap ring
- 29 Nut
- 30 Protective box
- 31 Angle connection
- 32 Sealing ring
- 33 Fuel hose

- 34 Fuel filter
- 35 Fuel hose
- 36 Fuel pump
- 37 Fuel hose
- 38 Damper container
- 39 Sealing ring
- 40 Fuel drain plug with filter
- 41 Fuel suction hose
- 42 Rubber grommet
- 43 Holder

**Fuel tank**

- 50 Vent line
- 51 Fuel hose
- 52 Vent line
- 53 Rubber grommet