

22–240 Removal and installation of engine shock absorber

Tightening torque

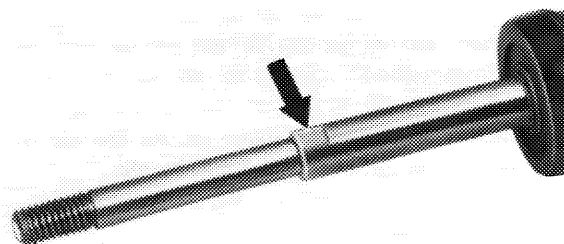
Nm

Engine shock absorber fastening hex. nut M 6

8–12

Note

For loosening and tightening lower hex. nut apply counterhold against piston rod at wrench flat (arrow) provided for this purpose. Be sure to apply tightening torque 8–12 Nm. Do not tighten to limit.



Engine 116.982/992, 116.984, 117.982/992, 117.985

100–13099

Engine shock absorber right, 1st version

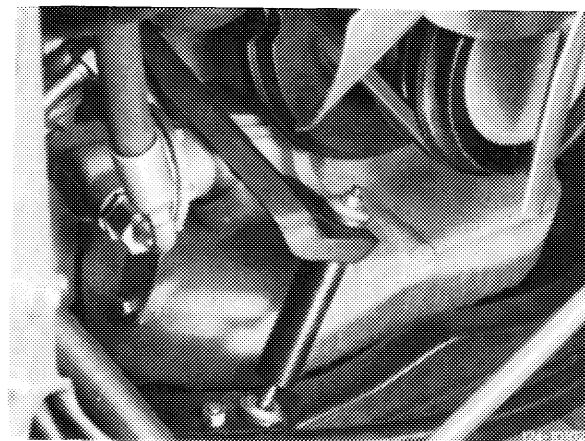
1 Unscrew engine shock absorber on holder and on front axle carrier.

2 Lift engine at oil pan with pit lift.

Use wooden shim to avoid damaging oil pan.

When lifting engine, make sure that the breather is not caught at radiator shell and that the engine mounts are not damaged.

3 Remove engine shock absorber.



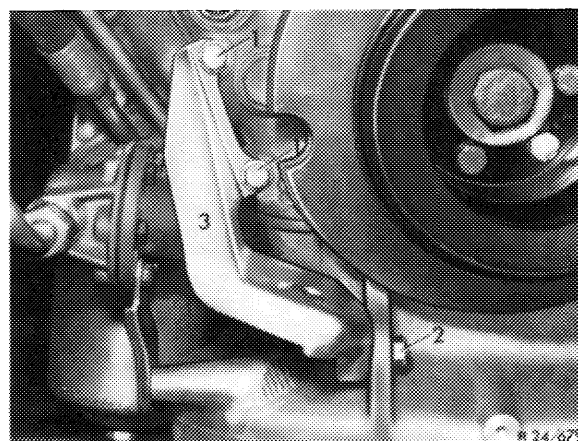
Attention!


On the following models a washer, part No. 115 990 75 40, must be placed into the two spot facings in timing housing cover for screws (1) between holder (3) and timing housing cover:

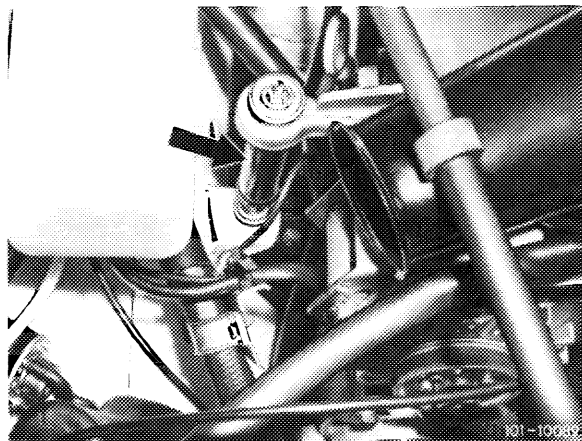
Model 107.043 up to chassis end No. 002375.

Model 107.044 up to chassis end No. 000355.

On chassis with the above end numbers, the contact surfaces on timing housing cover were milled flat.

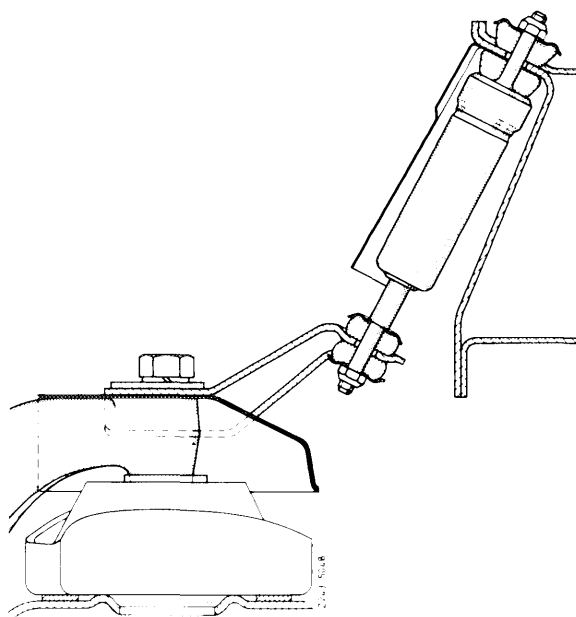


 starting 1975

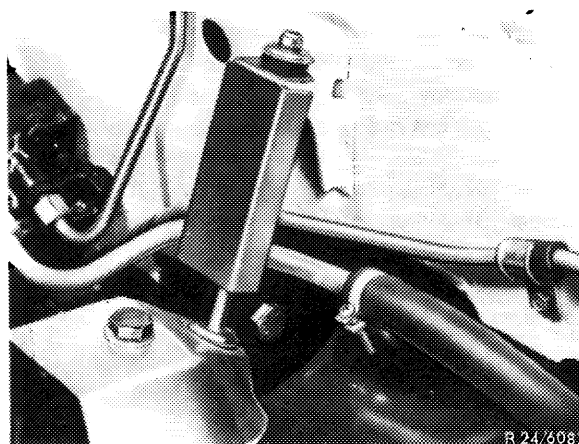


Engine shock absorber right, 2nd version

- 1 Loosen upper hex. nut and force engine shock absorber from holder.
- 2 Unscrew hex. screw on engine mount and remove engine shock absorber together with holder.



- 3 Unscrew engine shock absorber from holder.
- 4 For installation proceed vice versa.



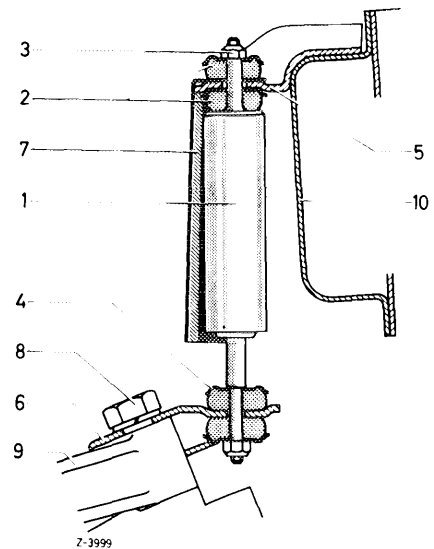
Engine 116.980/990, 116.981/991, 117.981, 117.984

Engine shock absorber left

- 1 Loosen upper hex. nut and force engine shock absorber from holder.
- 2 Unscrew hex. bolts on engine mount and remove engine shock absorber together with holder.
- 3 Unscrew engine shock absorber from holder.
- 4 For installation proceed vice versa.

Lefthand shock absorber seen from the front

- | | |
|-------------------------|----------------------|
| 1 Engine shock absorber | 6 Holder |
| 2 Rubber buffer | 7 Shielding plate |
| 3 Hex. nut | 8 Hex. screw |
| 4 Disc washer | 9 Engine carrier |
| 5 Holder | 10 Frame side member |

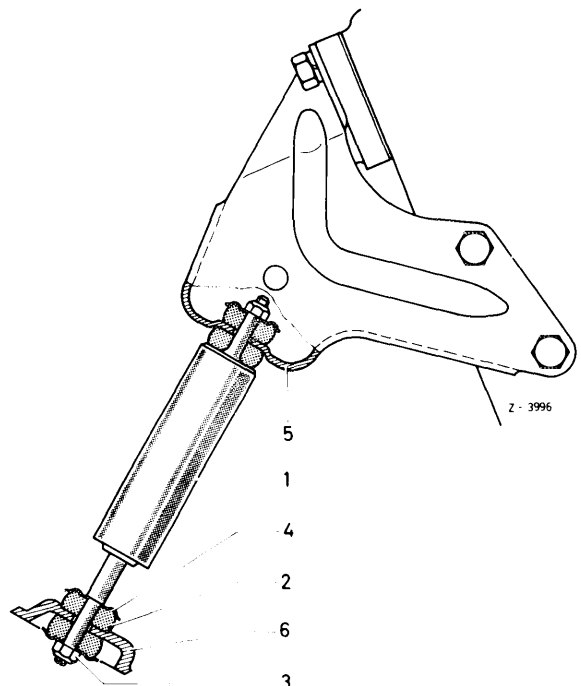


Engine shock absorber right

- 1 Loosen screw for engine carrier on engine mount (do not unscrew completely).
- 2 Unscrew engine shock absorber at top and bottom suspension.

Righthand engine shock absorber seen from the front

- | | |
|-------------------------|---------------|
| 1 Engine shock absorber | 4 Disc washer |
| 2 Rubber buffer | 5 Holder |
| 3 Hex. nut | 6 Carrier |



3 Lift engine at oil pan with pit lift.

Use wooden shim to avoid damaging oil pan.

When lifting engine, make sure that breather is not caught at radiator shell,

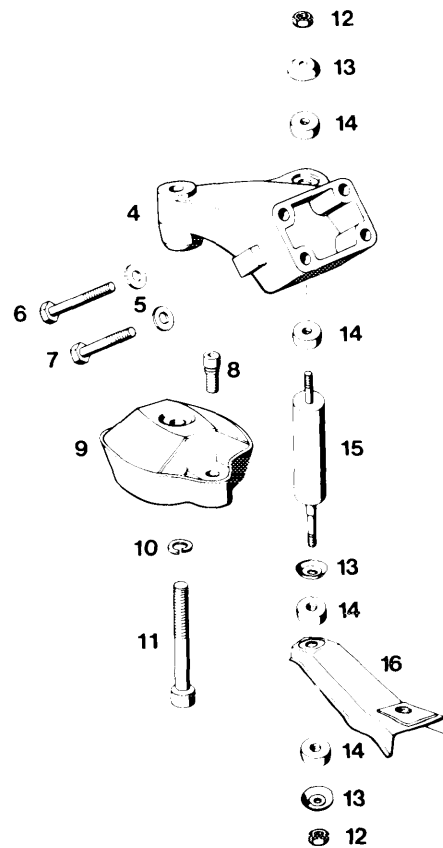
4 Remove engine shock absorber.

5 For installation proceed vice versa.

Engine 116.983, 993, 116.985, 117.983/993, 117.986

Engine shock absorber left and right

- 1 Loosen hex. nut (12) top and bottom.
- 2 Compress engine shock absorber and remove.
- 3 For installation proceed vice versa.



- | | |
|---------------------|--------------------------|
| 1 Screw | 9 Engine mount |
| 2 Spring washer | 10 Snap ring |
| 3 Shielding plate | 11 Screw M 12 x 50 |
| 4 Engine carrier | 12 Nut |
| 5 Washer | 13 Disc washer |
| 6 Screw M 8 x 75 | 14 Rubber buffer |
| 7 Screw M 8 x 60 | 15 Engine shock absorber |
| 8 Combination screw | 16 Holder on side member |

1222 5439