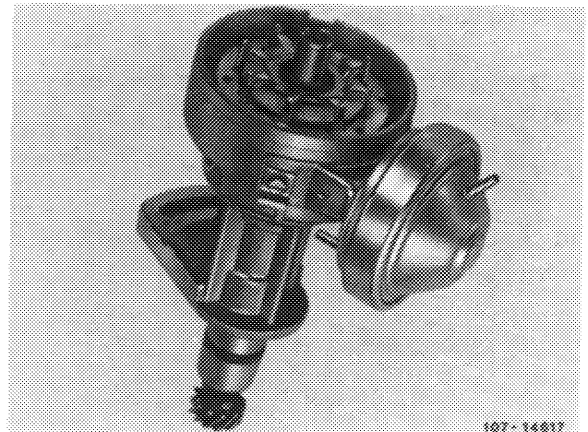


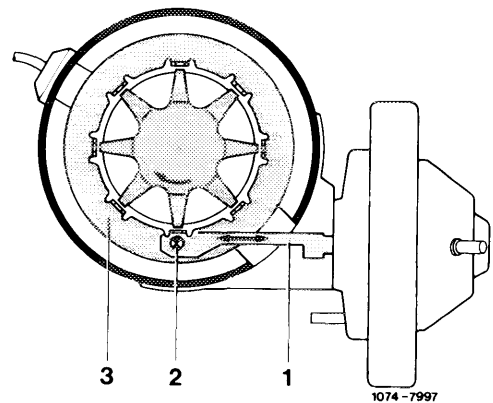
## 15-525 Removal and installation of vacuum control unit on ignition distributor

### Removal

- 1 Remove ignition distributor (15-510).
- 2 Remove ignition distributor cap, ignition distributor rotor and dust cap.
- 3 Unscrew vacuum box on ignition distributor.

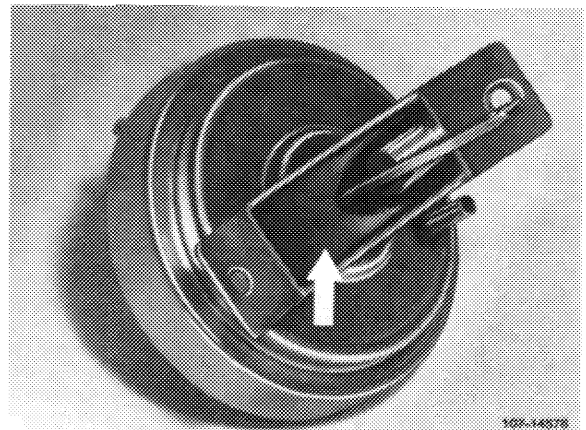


- 4 Remove vacuum box while lifting box slightly so that the pull rod (1) comes out of bolt (2) of pole disc (3).

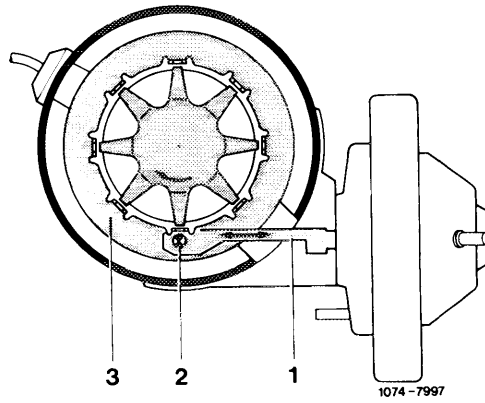


- 1 Pull rod
- 2 Bolt
- 3 Pole disc

- 5 Install vacuum box. Make sure that the holding body (arrow) is not distorted, since guiding of pull rod would no longer be assured.



6 Introduce vacuum box in such a manner that the pull rod (1) engages on bolt (2) of pole disc (3).



- 1 Pull rod
- 2 Bolt
- 3 Pole disc

7 Screw down vacuum box.

8 Check whether pull rod is correctly attached by turning pole disc in both directions.

9 Install ignition distributor (15-510).

10 Adjust firing point and check function of vacuum adjustment (15-501).