

COMPONENT INDEX

COMPONENT	MODEL 123					MODEL 116					MODEL 107	
	240D	280E	280CE	300D	300CD	300TD	280SE	300SD	450SEL	6.9	450SL	450SLC
Alternator	1-2C, 12	1-2C, 13	1-2C, 13	1-2C, 12	1-2C, 12	1-2C, 12	2-1C	2-1C	2-1C	2-1C	3-2C	3-2C
Ambient Temperature Sensor	-	4	4	4	4	4	4	4	4	4	4	4
Automatic Transmission Solenoid Valve	1-13F	1-13F	1-13F	1-13F	1-13F	1-13F	2-14H	2-14H	2-14H	2-14H	3-15E	3-15E
Battery	1-3D, 12	1-3D, 13	1-3D, 13	1-3D, 12	1-3D, 12	1-3D, 12	2-3D	2-3D	2-3D	2-3D	3-15E	3-15E
Bi-Level Flap Valve	-	4	4	4	4	4	4	4	4	4	4	4
Brake Wear Sensor; front left	1-9L	1-9L	1-9L	1-9L	1-9L	1-9L	2-12M	2-12M	2-12M	2-12M	3-11L	3-11L
Brake Wear Sensor; front right	1-9L	1-9L	1-9L	1-9L	1-9L	1-9L	2-12M	2-12M	2-12M	2-12M	3-11L	3-11L
Cigar Lighter	1-29E	1-29E	1-29E	1-29E	1-29E	1-29E	2-9G	2-9G	2-9G	2-9G	3-35H	3-35H
Climate Control Amplifier	-	4	4	4	4	4	4	4	4	4	4	4
Climate Control Unit	-	4	4	4	4	4	4	4	4	4	4	4
Clock	1-20C	1-20C	1-20C	1-20C	1-20C	1-20C	2-20K	2-20K	2-20K	2-20K	3-24J	3-24J
Cold Start Valve	-	13	13	-	-	-	2-4E	2-4E	2-4E	2-4E	3-6E	3-6E
Coolant Temperature Sensor	1-13L	1-13L	1-13L	1-13L	1-13L	1-13L	2-14L	2-14L	2-14L	2-14L	3-13L	3-13L
Cruise Control Actuator	6	6	6	6	6	6	6	6	6	6	6	6
Cruise Control Amplifier	6	6	6	6	6	6	6	6	6	6	6	6
Diagnostic Plug	-	13	13	-	-	-	2-7H	2-7H	2-7H	2-7H	3-7H	3-7H
Distributor	-	13	13	-	-	-	2-4J	2-4J	2-6J	2-6J	3-6J	3-6J
Engine Temperature Sensor	12	-	-	12	12	12	-	-	-	-	-	-
Enrichment Compensation Heater	-	13	13	-	-	-	2-7E	2-7E	2-7E	2-7E	-	-
Flasher	-	-	-	-	-	-	2-20D	2-20D	2-20D	2-20D	-	-
Fuel Gauge	1-10J	1-10J	1-10J	1-10J	1-10J	1-10J	2-14K	2-14K	2-14K	2-14K	3-14J	3-14J
Fuel Tank Sensor	1-10L	1-10L	1-10L	1-10L	1-10L	1-10L	2-14L	2-14L	2-14L	2-14L	3-14L	3-14L
Fuses:												
Climate Control Amplifier; in-line	-	4	4	4	4	4	4	4	4	4	4	4
Glow Plug; in-line	12	-	-	12	12	12	-	-	-	-	-	-
Main Fuse Box	1-11C,23A, 23G,29C,8	1-11C,23A, 23G,29C,8	1-11C,23A, 23G,29C,8	1-11C,23A, 23G,29C,8	1-11C,23A, 23G,29C,8	1-11C,23A, 23G,29C,8	2-15B,31G, 35B,8	2-15B,31G, 35B,8	2-15B,31G, 35B,8	2-15B,31G, 35B,8	3-16A,29F, 35F,8	3-16A,29F, 35F,8
Radio; in-line	1-30E	1-30E	1-30E	1-30E	1-30E	1-30E	2-10F	2-10F	2-10F	2-10F	-	-
Seat Heaters Fuse Box	9	9	9	9	9	9	9	9	9	9	9	9
Gauges:												
Fuel	1-10J	1-10J	1-10J	1-10J	1-10J	1-10J	2-14K	2-14K	2-14K	2-14K	3-14J	3-14J
Tachometer	-	-	-	-	-	-	2-15K	2-15K	2-15K	2-15K	3-18J	3-18J
Temperature	1-14J	1-14J	1-14J	1-14J	1-14J	1-14J	2-15K	2-15K	2-15K	2-15K	3-13J	3-13J
Glow Plug Resistors	12	-	-	12	12	12	-	-	-	-	-	-
Glow Plugs	12	-	-	12	12	12	14	14	14	14	-	-
Glow Plug Timer	12	-	-	12	12	12	2-15L,14	2-15L,14	2-15L,14	2-15L,14	-	-
Hazard/Flasher Timer Assembly	1-18H	1-18H	1-18H	1-18H	1-18H	1-18H	-	-	-	-	3-19D	3-19D
Heating Coil	-	-	-	-	-	-	-	-	-	-	3-5B	3-5B
Horns	1-11D	1-11D	1-11D	1-11D	1-11D	1-11D	2-36D	2-36D	2-36D	2-36D	3-22B	3-22B
Ignition Coil	-	13	13	-	-	-	2-5H	2-5H	2-5H	2-5H	3-5H	3-5H
In-Car Temperature Sensor	-	4	4	4	4	4	4	4	4	4	4	4
Instrument Panel	1-10J,20C, 25H	1-10J,20C, 25H	1-10J,20C, 25H	1-10J,20C, 25H	1-10J,20C, 25H	1-10J,20C, 25H	2-18K,34H	2-18K,34H	2-18K,34H	2-18K,34H	3-18J,32J	3-18J,32J
Instrument Panel Lamp Rheostat	1-14J	1-14J	1-14J	1-14J	1-14J	1-14J	2-26J	2-26J	2-26J	2-26J	3-25J	3-25J
Interval Wiper Control Unit	1-26H	1-26H	1-26H	1-26H	1-26H	1-26H	2-35H	2-35H	2-35H	2-35H	3-33H	3-33H

COMPONENT INDEX

COMPONENT	MODEL 123						MODEL 116				MODEL 107	
	240D	280E	280CE	300D	300CD	300TD	280SE	300SD	450SEL	6.9	450SL	450SLC
Lamps:												
Back-Up; left	1-12F	1-12F	1-12F	1-12F	1-12F	1-11F	2-13H	2-13H	2-13H	2-13H	2-13H	3-15E
Back-Up; right	1-13F	1-13F	1-13F	1-13F	1-13F	1-12F	2-14H	2-14H	2-14H	2-14H	2-14H	3-16E
Blower Switch	1-16K	—	—	—	—	—	—	—	—	—	—	—
Brake Warning Indicator	1-9J	1-9J	1-9J	1-9J	1-9J	1-9J	2-13K	2-13K	2-13K	2-13K	2-13K	3-13J
Brake Wear Indicator	1-9J	1-9J	1-9J	1-9J	1-9J	1-9J	2-12K	2-12K	2-12K	2-12K	2-12K	3-11J
Charge Indicator	1-7J	1-7J	1-7J	1-7J	1-7J	1-7J	2-11K	2-11K	2-11K	2-11K	2-11K	3-9J
Cigar Lighter	1-29E	1-29E	1-29E	1-29E	1-29E	1-29E	2-9G	2-9G	2-9G	2-9G	2-9G	3-35H
Climate Control Panel	—	1-17M	1-17M	1-17M	1-17M	1-17M	2-22H	2-22H	2-22H	2-22H	2-22H	3-21D
Dome; front	1-12H	1-12H	1-12H	1-12H	1-12H	1-12H	2-21D	2-21D	2-21D	2-21D	2-21D	3-24C
Dome; left	—	—	—	—	—	—	—	—	—	—	—	—
Dome; rear	1-24D	1-24D	1-24D	1-24D	1-24D	1-25B	2-24E	2-24E	2-24E	2-24E	2-24E	3-23F
Dome; right	—	—	—	—	—	—	—	—	—	—	—	—
Door; left	—	—	—	—	—	—	—	—	—	—	—	3-24E
Door; right	—	—	—	—	—	—	—	—	—	—	—	3-25E
Fasten Seat Belt	1-11J	1-11J	1-11J	1-11J	1-11J	1-11J	2-16K	2-16K	2-16K	2-16K	2-16K	3-11J
Fog; left	1-23K	1-23K	1-23K	1-23K	1-23K	1-23K	2-31K	2-31K	2-31K	2-31K	2-31K	3-30L
Fog; right	1-23K	1-23K	1-23K	1-23K	1-23K	1-23K	2-32K	2-32K	2-32K	2-32K	2-32K	3-30L
Gearshift	1-17F	1-17F	1-17F	1-17F	1-17F	1-17F	2-27E	2-27E	2-27E	2-27E	2-27E	3-27J
Glove Box	1-31D	1-31D	1-31D	1-31D	1-31D	1-31D	2-11F	2-11F	2-11F	2-11F	2-11F	3-36G
Hazard Indicator	1-18H	1-18H	1-18H	1-18H	1-18H	1-18H	2-18E	2-18E	2-18E	2-18E	2-18E	3-20D
Headlamp; high, left	—	—	—	—	—	—	2-33K	2-33K	2-33K	2-33K	2-33K	3-31L
Headlamp; high, right	—	—	—	—	—	—	2-34K	2-34K	2-34K	2-34K	2-34K	3-32L
Headlamp; high/low, left	1-25K	1-25K	1-25K	1-25K	1-25K	1-25K	2-32K	2-32K	2-32K	2-32K	2-32K	3-31L
Headlamp; high/low, right	1-24K	1-24K	1-24K	1-24K	1-24K	1-24K	2-33K	2-33K	2-33K	2-33K	2-33K	3-32L
Heated Rear Window	5	5	5	5	5	5	5	5	5	5	5	5
Heater Control Illumination	1-15K	—	—	—	—	—	—	—	—	—	—	—
High Beam Indicator	1-25H	1-25H	1-25H	1-25H	1-25H	1-25H	2-33H	2-33H	2-33H	2-33H	2-33H	3-32J
Instrument Panel	1-14J	1-14J	1-14J	1-14J	1-14J	1-14J	2-25K	2-25K	2-25K	2-25K	2-25K	3-35J
License Plate; left	1-18F	1-18F	1-18F	1-18F	1-18F	1-20F	2-27K	2-27K	2-27K	2-27K	2-27K	3-25L
License Plate; right	1-19F	1-19F	1-19F	1-19F	1-19F	1-20F	2-27K	2-27K	2-27K	2-27K	2-27K	3-26L
Low Fuel Indicator	1-10J	1-10J	1-10J	1-10J	1-10J	1-10J	2-14K	2-14K	2-14K	2-14K	2-14K	3-14J
Marker; front, left	—	—	—	—	—	—	—	—	—	—	—	3-27L
Marker; front, right	—	—	—	—	—	—	—	—	—	—	—	3-27L
Marker; rear, left	1-19F	1-19F	1-19F	1-19F	1-19F	1-19F	2-28K	2-28K	2-28K	2-28K	2-28K	3-25L
Marker; rear, right	1-20F	1-20F	1-20F	1-20F	1-20F	1-20F	2-29K	2-29K	2-29K	2-29K	2-29K	3-26L
Parking; front, left	1-22K	1-22K	1-22K	1-22K	1-22K	1-22K	2-31K	2-31K	2-31K	2-31K	2-31K	3-29L
Parking; front, right	1-21K	1-21K	1-21K	1-21K	1-21K	1-21K	2-29K	2-29K	2-29K	2-29K	2-29K	3-28L
Preglow Indicator	12	12	12	12	12	12	2-17K	2-17K	2-17K	2-17K	2-17K	—
Reading; left	—	—	—	—	—	—	2-25E	2-25E	2-25E	2-25E	2-25E	—
Reading; right	—	—	—	—	—	—	2-23E	2-23E	2-23E	2-23E	2-23E	—

COMPONENT INDEX

COMPONENT	MODEL 123				MODEL 116				MODEL 107			
	240D	280E	280CE	300D	300CD	300TD	280SE	300SD	450SEL	6.9	450SL	450SLC
<b>Lamps (con't):</b>												
Seat Heater; front, left	9	9	9	9	9	9	9	9	9	9	9	9
Seat Heater; front, right	9	9	9	9	9	9	9	9	9	9	9	9
Seat Heater; rear, left	-	-	-	-	-	-	9	9	9	9	-	-
Seat Heater; rear, right	-	-	-	-	-	-	9	9	9	9	-	-
Stop; left	1-14F	1-14F	1-14F	1-14F	1-14F	1-14F	2-12H	2-12H	2-12H	2-12H	3-16E	3-16E
Stop; right	1-15F	1-15F	1-15F	1-15F	1-15F	1-15F	2-12H	2-12H	2-12H	2-12H	3-17E	3-17E
Suspension Warning Indicator	-	-	-	-	-	-	-	-	-	-	-	-
Tail; left	1-22K	1-22K	1-22K	1-22K	1-22K	1-22K	2-30K	2-30K	2-30K	2-30K	3-29L	3-29L
Tail; right	1-21K	1-21K	1-21K	1-21K	1-21K	1-21K	2-30K	2-30K	2-30K	2-30K	3-28L	3-28L
Temperature Vacuum Switch	1-18F	-	-	-	-	-	-	-	-	-	-	-
Trunk	1-19C	1-19C	1-19C	1-19C	1-19C	1-19C	2-25E	2-25E	2-25E	2-25E	3-22E	3-22E
Turn Signal Indicator; left	1-18K	1-18K	1-18K	1-18K	1-18K	1-18K	2-18K	2-18K	2-18K	2-18K	3-19J	3-19J
Turn Signal Indicator; right	1-18K	1-18K	1-18K	1-18K	1-18K	1-18K	2-18K	2-18K	2-18K	2-18K	3-22J	3-22J
Turn Signal; front, left	1-17K	1-17K	1-17K	1-17K	1-17K	1-17K	2-17G	2-17G	2-17G	2-17G	3-19H	3-19H
Turn Signal; front, right	1-19K	1-19K	1-19K	1-19K	1-19K	1-19K	2-18G	2-18G	2-18G	2-18G	3-21H	3-21H
Turn Signal; rear, left	1-18K	1-18K	1-18K	1-18K	1-18K	1-18K	2-17G	2-17G	2-17G	2-17G	3-20H	3-20H
Turn Signal; rear, right	1-19K	1-19K	1-19K	1-19K	1-19K	1-19K	2-17G	2-17G	2-17G	2-17G	3-20H	3-20H
<b>Motors:</b>												
Antenna	7	7	7	7	7	7	7	7	7	7	7	7
Auxiliary Fan	11	4	4	4	4	4	4	4	4	4	4	4
Auxiliary Water Pump	-	4	4	4	4	4	4	4	4	4	4	4
Blower	11	4	4	4	4	4	4	4	4	4	4	4
Fuel Pump	-	13	13	-	-	-	2-7E	-	2-7E	2-7E	3-5B	3-5B
Servo Assembly	-	4	4	4	4	4	4	4	4	4	4	4
Sliding Roof	10	10	10	10	10	10	10	10	10	10	10	10
Starter	1-4C,12	1-4C,13	1-4C,13	1-4C,12	1-4C,12	1-4C,12	2-4C	2-4C	2-4C	2-4C	3-4C	3-4C
Washer Pump; rear door	-	-	-	-	-	1-29J	-	-	-	-	-	-
Window; front, left	8	8	8	8	8	8	8	8	8	8	8	8
Window; front, right	8	8	8	8	8	8	8	8	8	8	8	8
Window; rear, left	8	8	8	8	8	8	8	8	8	8	8	8
Window; rear, right	8	8	8	8	8	8	8	8	8	8	8	8
Windshield Washer	1-27G	1-27G	1-27G	1-27G	1-27G	1-27G	2-36G	2-36G	2-36G	2-36G	3-34G	3-34G
Windshield Wiper	1-25K	1-25K	1-25K	1-25K	1-25K	1-25K	2-34J	2-34J	2-34J	2-34J	3-33L	3-33L
Wiper; rear door	-	-	-	-	-	1-29L	-	-	-	-	-	-
<b>Overload Protection Device Switching Unit</b>	-	-	-	-	-	-	-	-	-	-	-	-
<b>Preglow Indicator Temperature Sender</b>	-	-	-	-	-	-	-	14	-	-	-	-

COMPONENT INDEX

COMPONENT	MODEL 123					MODEL 116					MODEL 107	
	240D	280E	280CE	300D	300CD	300TD	280SE	300SD	450SEL	6.9	450SL	450SLC
Radio	1-30E	5	1-30E	5	1-30E	5	1-30E	5	2-10G	2-10G	2-10G	3-36H
Rear Window Heater	11	-	-	-	-	-	-	-	-	-	-	3-11E
Relays ( <i>Solenoids/Vabes</i> ):												
A/C I	11	-	-	-	-	-	-	-	-	-	-	-
A/C II	11	-	-	-	-	-	-	-	-	-	-	-
A/C Compressor Clutch	11	4	4	4	4	4	4	4	4	4	4	4
A/C Starter	12	13	13	12	12	12	2-6C	2-6C	2-6C	2-6C	3-8C	3-8C
Antenna	7	7	7	7	7	7	7	7	7	7	7	7
Automatic Transmission Solenoid Valve	1-13F	1-13F	1-13F	1-13F	1-13F	1-13F	2-14H	2-14H	2-14H	2-14H	3-15E	3-15E
Auxiliary Fan	11	4	4	4	4	4	4	4	4	4	4	4
Auxiliary Fan Control	-	4	4	-	-	-	4	4	4	4	4	4
Bi-Level Flap Valve	-	4	4	4	4	4	4	4	4	4	4	4
Changeover Valve	-	4	4	-	-	-	4	4	4	4	4	4
Cold Start Valve	-	13	13	-	-	-	2-4E	2-4E	2-4E	2-4E	-	-
Cruise Control Actuator	6	6	6	6	6	6	6	6	6	6	6	6
Defrost	-	4	4	4	4	4	4	4	4	4	4	4
Delay; Rear Window Heater	5	5	5	5	5	5	5	5	5	5	3-11C	3-11C
Dome Lamp Delay	-	-	-	-	-	-	-	-	-	-	-	-
Footwell Flap Valve	-	4	4	4	4	4	4	4	4	4	4	4
Fresh Recirculating Air Flap Valve	-	4	4	4	4	4	4	4	4	4	4	4
Fuel Pump	-	13	13	-	-	-	2-7D	2-7D	2-7D	2-7D	3-5A	3-5A
Ignition Changeover Valve	-	4	4	-	-	-	4	4	4	4	4	4
Switchover Valve	-	4	4	-	-	-	-	-	-	-	-	-
Thermal Time Switch	-	13	13	-	-	-	2-6E	2-6E	2-6E	2-6E	-	-
Window	8	8	8	8	8	8	8	8	8	8	8	8
Resistors:												
Ambient Temperature Sensor	-	4	4	4	4	4	4	4	4	4	4	4
Ballast; .4Ω	-	13	13	-	-	-	2-4F	2-4F	2-4F	2-4F	3-5F	3-5F
Ballast; .6Ω	-	13	13	-	-	-	2-4G	2-4G	2-4G	2-4G	3-5G	3-5G
Blower	11	4	4	4	4	4	4	4	4	4	4	4
Engine Temperature Sensor	12	-	-	12	12	12	-	-	-	-	-	-
Glow Plug	12	-	-	12	12	12	-	-	-	-	-	-
In-Car Temperature Sensor	-	4	4	4	4	4	4	4	4	4	4	4
Instrument Panel Lamp Rheostat	1-14J	1-14J	1-14J	1-14J	1-14J	1-14J	2-25K	2-25K	2-25K	2-25K	3-25J	3-25J
Preglow Indicator Temperature Sender	-	-	-	-	-	-	14	14	14	14	-	-
Seat Belt Warning Unit	1-9G	1-9G	1-9G	1-9G	1-9G	1-9G	2-11L,16E	2-11L,16E	2-11L,16E	2-11L,16E	3-10K,14D	3-10K,14D
Seat Heater; front, left	9	9	9	9	9	9	9	9	9	9	9	9
Seat Heater; front, right	9	9	9	9	9	9	9	9	9	9	9	9
Seat Heater; rear, left	-	-	-	-	-	-	9	9	9	9	-	-
Seat Heater; rear, right	-	-	-	-	-	-	9	9	9	9	-	-

COMPONENT INDEX

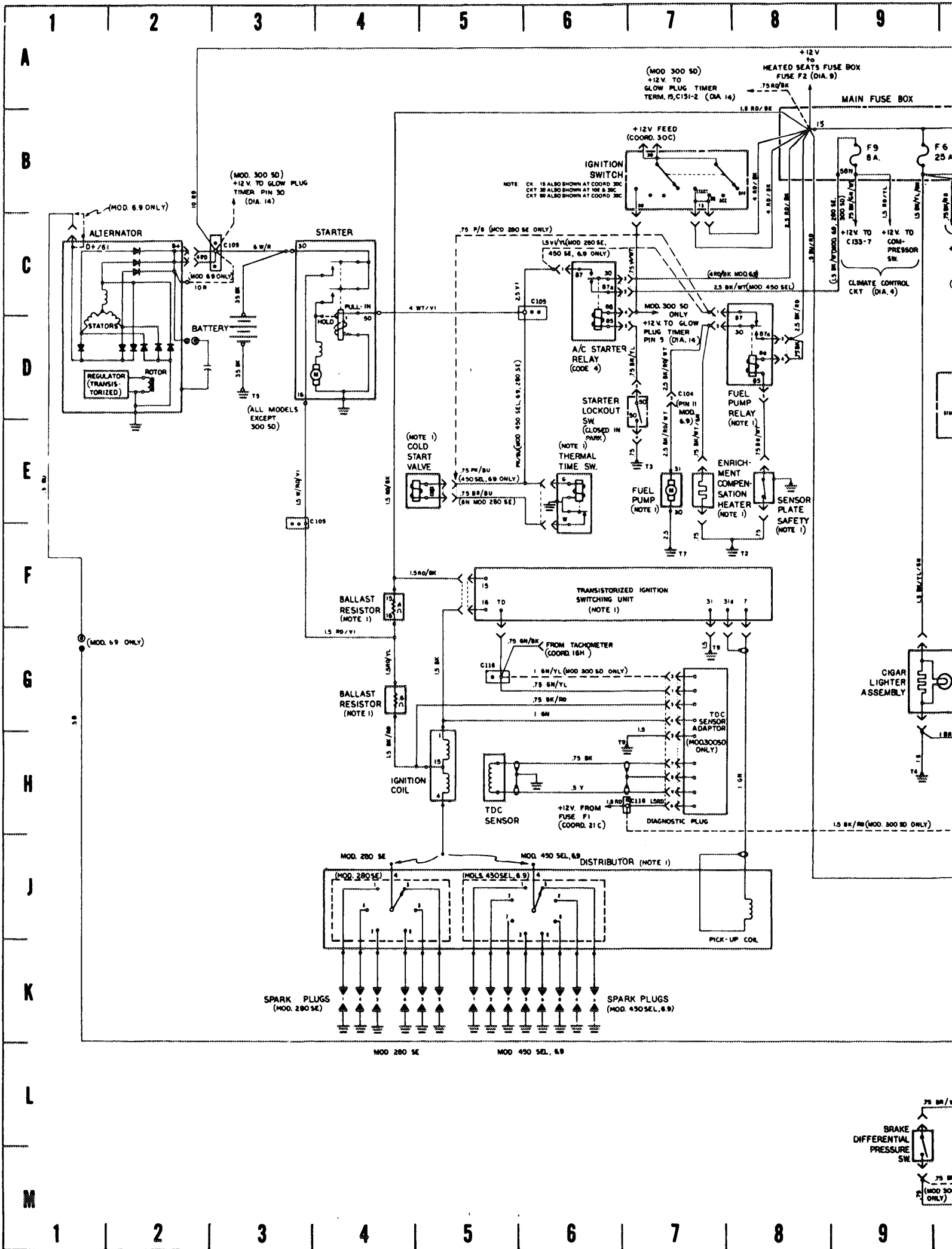
COMPONENT	MODEL 123				MODEL 116				MODEL 107			
	240D	280E	280CE	300D	300CD	300TD	280SE	300SD	450SEL	6.9	450SL	450SLC
Speed Sensor	6	6	6	6	6	6	6	6	6	6	6	6
Servo Assembly	-	4	4	4	4	4	4	4	4	4	4	4
Spark Plugs	-	13	13	-	-	-	2-4K	-	2-6K	2-6K	3-5K	3-5K
Starter	1-4C,12	1-4C,13	1-4C,13	1-4C,12	1-4C,12	1-4C,12	2-4C	2-4C	2-4C	2-4C	3-4C	3-4C
Switches:												
Antenna Control	7	7	7	7	7	7	7	7	7	7	7	7
Back-Up Lamp/Starter Lockout	1-12D	1-12D	1-12D	1-12D	1-12D	1-12D	2-13G	2-13G	2-13G	2-13G	3-16C	3-16C
8i-Level Vacuum	-	4	4	4	4	4	4	4	4	4	4	4
Blower Master Vacuum	-	4	4	4	4	4	4	4	4	4	4	4
Blower Motor	11	-	-	-	-	-	-	-	-	-	-	-
Brake Differential Pressure	1-7H	1-7H	1-7H	1-7H	1-7H	1-7H	2-9M	2-9M	2-9M	2-9M	3-12L	3-12L
Brake Fluid	1-8H	1-8H	1-8H	1-8H	1-8H	1-8H	2-10M	2-10M	2-10M	2-10M	3-12L	3-12L
Brake Pad Wear Sensor; front, left	1-9L	1-9L	1-9L	1-9L	1-9L	1-9L	2-12M	2-12M	2-12M	2-12M	3-11L	3-11L
Brake Pad Wear Sensor; front, right	1-9L	1-9L	1-9L	1-9L	1-9L	1-9L	2-12M	2-12M	2-12M	2-12M	3-11L	3-11L
Climate Control Unit	-	4	4	4	4	4	4	4	4	4	4	4
Combination	1-11E,19J,25F	1-11E,19J,25F	1-11E,19J,25F	1-11E,19J,25F	1-11E,19J,25F	1-11E,19J,25F	2-19F,34E	2-19F,34E	2-19F,34E	2-19F,34E	3-20E,22C,32E	3-20E,22C,32E
Compressor	-	4	4	4	4	4	4	4	4	4	4	4
Compressor Low Pressure	-	4	4	4	4	4	4	4	4	4	4	4
Compressor On/Off	-	4	4	4	4	4	4	4	4	4	4	4
Compressor Vacuum	-	4	4	4	4	4	4	4	4	4	4	4
Cruise Control	6	6	6	6	6	6	6	6	6	6	6	6
Dimmer (Combination Switch)	1-23F	1-23F	1-23F	1-23F	1-23F	1-23F	2-32E	2-32E	2-32E	2-32E	3-30E	3-30E
Dome Lamp; front	1-12H	1-12H	1-12H	1-12H	1-12H	1-12H	2-21D	2-21D	2-21D	2-21D	3-27D	3-24C
Dome Lamp; rear	1-24C	1-24C	1-24C	1-24C	1-24C	1-24C	2-24C	2-24C	2-24C	2-24C	-	3-23E
Door; front, left	1-10H	1-10H	1-10H	1-10H	1-10H	1-10H	2-16G	2-16G	2-16G	2-16G	3-24F	3-24F
Door; front, right	1-9H	1-9H	1-9H	1-9H	1-9H	1-9H	2-22F	2-22F	2-22F	2-22F	3-25F	3-25F
Door; rear	-	-	-	-	-	-	-	-	-	-	-	-
Door; rear, left	1-23C	1-23C	1-23C	1-23C	1-23C	1-23C	2-24C	2-24C	2-24C	2-24C	-	-
Door; rear, right	1-24C	1-24C	1-24C	1-24C	1-24C	1-24C	2-25C	2-25C	2-25C	2-25C	-	-
Drier Temperature	-	-	-	4	4	4	-	4	-	-	-	-
Driver Belt	1-9H	1-9H	1-9H	1-9H	1-9H	1-9H	2-17D	2-17D	2-17D	2-17D	3-14E	3-14E
Electric Window; console, left	8	8	8	8	8	8	8	8	8	8	8	8
Electric Window; console, right	8	8	8	8	8	8	8	8	8	8	8	8
Electric Window; rear, left	8	8	8	8	8	8	8	8	8	8	8	8
Electric Window; rear, right	8	8	8	8	8	8	8	8	8	8	8	8
Engine Temperature	11	4	4	4	4	4	4	4	4	4	4	4
Evaporating Icing	-	4	4	4	4	4	4	4	4	4	4	4
Fog (Light Switch Assembly)	1-23J	1-23J	1-23J	1-23J	1-23J	1-23J	2-31H	2-31H	2-31H	2-31H	3-30J	3-30J
Glove Box Lamp	1-31F	1-31F	1-31F	1-31F	1-31F	1-31F	2-11H	2-11H	2-11H	2-11H	3-36H	3-36H

COMPONENT INDEX

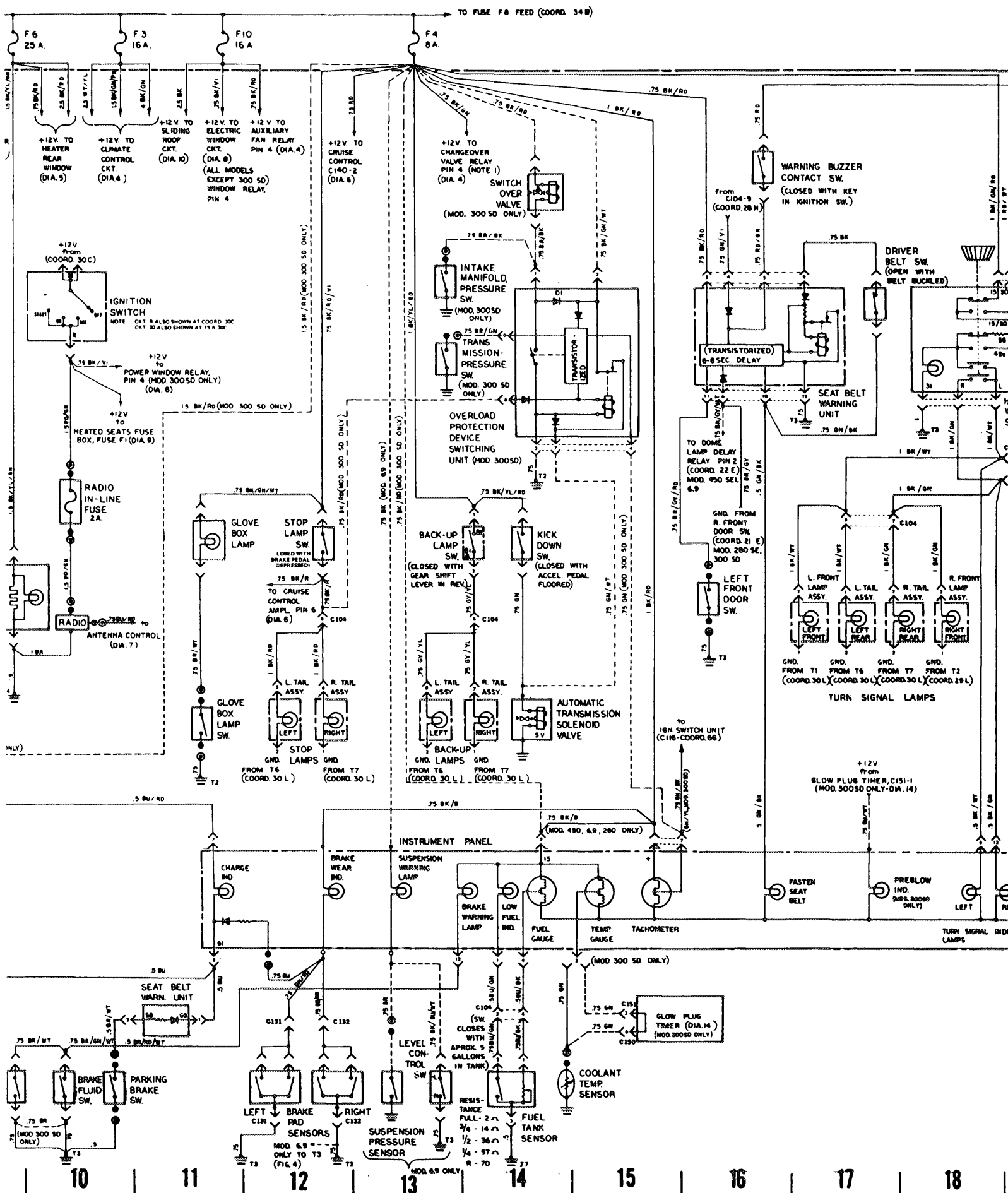
COMPONENT	MODEL 123						MODEL 116				MODEL 107	
	240D	280E	280CE	300D	300CD	300TD	280SE	300SD	450SEL	6.9	450SL	450SLC
Switches (cont):												
Hazard/Flasher	1-17H	1-17H	1-17H	1-17H	1-17H	1-17H	-	-	-	-	3-20D	3-20D
Hazard Warning	-	-	-	-	-	-	2-18E	2-18E	2-18E	2-18E	-	-
Heated Rear Window	5	5	5	5	5	5	5	5	5	5	3-11C	3-11C
Horn (Combination Switch Assembly)	1-11E 1-7B,21C, 28B	1-11E 1-7B,21C, 28B	1-11E 1-7B,21C, 28B	1-11E 1-7B,21C, 28B	1-11E 1-7B,21C, 28B	1-11E 1-7B,21C, 28B	2-36E 2-7B,10E, 30C	2-36E 2-7B,10E, 30C	2-36E 2-7B,10E, 30C	2-36E 2-7B,10E, 30C	3-22C	3-22C
Ignition	-	-	-	-	-	-	-	-	-	-	3-9B,27B,	3-9B,27B,
Intake Manifold Pressure	1-13D	1-13D	1-13D	1-13D	1-13D	1-13D	2-14G	2-14G	2-14G	2-14G	3-15D	3-15D
Kickdown	-	-	-	-	-	-	-	-	-	-	-	-
Level Control	1-21D,23J	1-21D,23J	1-21D,23J	1-21D,23J	1-21D,23J	1-21D,23J	2-30D,31H	2-30D,31H	2-30D,31H	2-30D,31H	3-26H,28C, 30J	3-26H,28C, 30J
Light	1-8H	1-8H	1-8H	1-8H	1-8H	1-8H	2-10M	2-10M	2-10M	2-10M	3-13L	3-13L
Parking Brake	-	-	-	-	-	-	-	-	-	-	-	-
Reading Lamp; left	-	-	-	-	-	-	2-25E	2-25E	2-25E	2-25E	-	-
Reading Lamp; right	-	-	-	-	-	-	2-23E	2-23E	2-23E	2-23E	-	-
Receiver Drier Temperature	11	-	-	-	-	-	-	-	-	-	-	-
Refrigerant Loss	11	-	-	-	-	-	-	-	-	-	-	-
Refrigerant Temperature	-	4	-	4	-	-	4	-	4	4	4	4
Seat Heater Control; front, left	9	9	9	9	9	9	9	9	9	9	9	9
Seat Heater Control; front, right	9	9	9	9	9	9	9	9	9	9	9	9
Seat Heater Control; rear, left	-	-	-	-	-	-	-	-	-	-	-	-
Seat Heater Control; rear, right	-	-	-	-	-	-	-	-	-	-	-	-
Sensor Plate Safety	-	13	13	-	-	-	2-8E	-	2-8E	2-8E	3-6B	3-6B
Sliding Roof	10	10	10	10	10	10	10	10	10	10	10	10
Starter Lockout/(Back-Up Lamp)	12	13	13	12	12	12	2-6D	2-6D	2-6D	2-6D	3-8C	3-8C
Stop Lamp	1-14D	1-14D	1-14D	1-14D	1-14D	1-14D	2-12G	2-12G	2-12G	2-12G	3-17C	3-17C
Suspension Pressure Sensor	-	-	-	-	-	-	-	-	-	-	-	-
Temperature Vacuum	11	-	-	-	-	-	-	-	-	-	-	-
Thermal Time	12	13	13	12	12	12	-	-	-	-	3-8E	3-8E
Transmission Pressure	-	-	-	-	-	-	-	-	-	-	-	-
Trunk Lamp	1-19C	1-19C	1-19C	1-19C	1-19C	1-19C	2-13E	-	2-13E	-	-	-
Turn Signal (Combination Switch Assembly)	1-19J	1-19J	1-19J	1-19J	1-19J	1-19J	2-25E	2-25E	2-25E	2-25E	3-22E	3-22E
Warning Buzzer Contact	1-9E	1-9E	1-9E	1-9E	1-9E	1-9E	2-19F	2-19F	2-19F	2-19F	3-20E	3-20E
Washer (Combination Switch Assembly)	1-27F	1-27F	1-27F	1-27F	1-27F	1-27F	2-16C	2-16C	2-16C	2-16C	3-13B	3-13B
Water Pump Temperature	-	4	4	4	4	4	2-36E	2-36E	2-36E	2-36E	3-34E	3-34E
Windshield Wiper (Combination Sw. Assembly)	1-26F	1-26F	1-26F	1-26F	1-26F	1-26F	2-35E	2-35E	2-35E	2-35E	3-33E	3-33E
Wiper/Washer; rear door	-	-	-	-	-	1-30H	-	-	-	-	-	-
Tachometer	-	-	-	-	-	-	2-15K	2-15K	2-15K	2-15K	3-18J	3-18J
TDC Sensor	-	13	13	-	-	-	2-5H	2-5H	2-5H	2-5H	3-6H	3-6H
TDC Sensor Adapter	-	-	-	-	-	-	-	-	-	-	-	-
Temperature Gauge	1-14J	1-14J	1-14J	1-14J	1-14J	1-14J	2-15K	2-15K	2-15K	2-15K	3-13J	3-13J
Thermal Time Switch	-	13	13	-	-	-	2-6E	-	2-6E	2-6E	-	-
Transistorized Ignition Switching Unit	-	13	13	-	-	-	2-6F	-	2-6F	2-6F	3-7F	3-7F

GROUND TERM. NO.	COMPONENT	FIG. NO. LOCATION	CAR LOCATION
T1	A/C Compressor Clutch Fog Lamp; left Headlamp; high, left Headlamp; high/low, left Marker Lamp; left front Parking Lamp; left front Refrigerant Temperature Switch Turn Signal Lamp; left front	4 3-30M 3-31M 3-31M 3-31M 3-31M 4 3-19H	Under hood; left top front.
T2	Auxiliary Fan Motor Auxiliary Water Pump Blower Motor Fog Lamp; right Footwell Flap Valve Headlamp; high, right Headlamp; high/low; right Heating Coil Marker Lamp; right front Parking Lamp; right front Servo Assembly Turn Signal Lamp; right front Windshield Washer Motor	4 4 4 3-30M 4 3-32M 3-32M 3-5C 3-32M 3-32M 4 3-21H 3-34G	Under hood; right top front.
T3	Auxiliary Fan Control Relay Bi-Level Flap Valve Brake Fluid Level Switch Brake Wear Sensor; left Brake Wear Sensor; right Cigar Lighter Assembly Climate Control Amplifier Console Switch Assembly; left Console Switch Assembly; right Cruise Control Amplifier Defrost Relay Delay Relay Dome Lamp; front (Mod. 450SLC) Door Switch; left Door Switch; right Fresh Recirculating Air Flap Valve Glove Box Lamp Switch Hazard/Flasher Timer Assembly Horn Switch Ignition Changeover Valve Instrument Panel Interval Wiper Control Panel Lamps, Climate Control Parking Brake Switch Rear Window Heater Switch (Mod. 450SLC)	4 4 3-12L 3-11M 3-11M 3-35K 4 8 8 6 4 3-12D 3-24D 3-24G 3-25G 4 3-35K 3-19E 3-22D 4 3-21K 3-34J 3-21E 3-13L 3-12D	Inside car, behind dash; left of steering column.

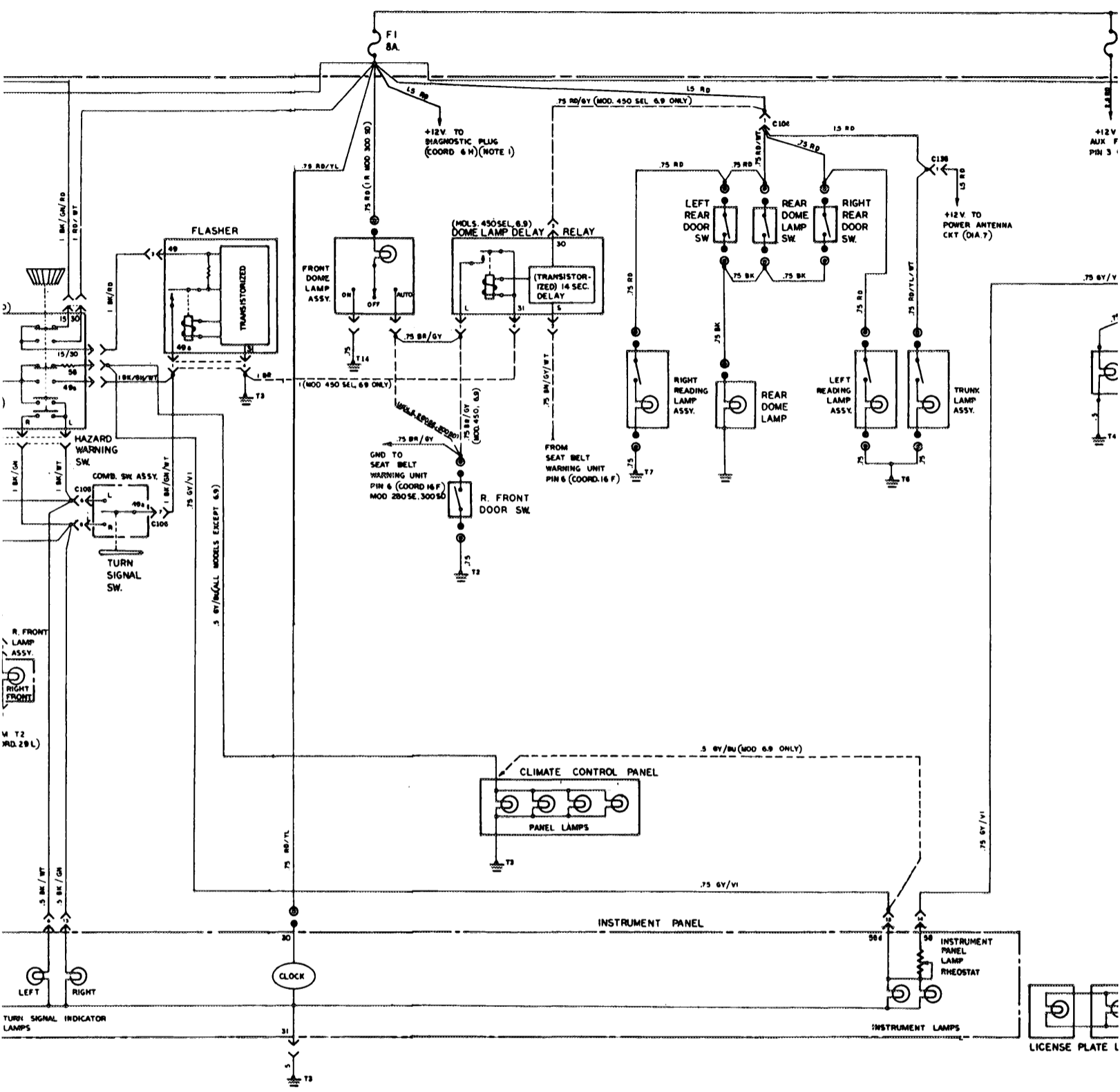
GROUND TERM. NO.	COMPONENT	FIG. NO. LOCATION	CAR LOCATION
T3 (cont)	Seat Heater Controls Sensor Plate Safety Switch Sliding Roof Switch (Mod. 450SLC) Starter Lockout Switch Warning Device, Seat Belt Window Relay Windshield Wiper Motor	9 3-6C 10 3-8D 3-14E 8 3-32M	
T4	Gear Shift Lamp Radio	3-27J 3-37J	Inside car, in center console.
T5	Battery	3-3D	Inside trunk right side, on trunk floor.
T6	Antenna Motor & Relay Assembly Back-Up Lamp; left Marker Lamp; left rear Stop Lamp; left Tail Lamp; left Turn Signal Lamp; left rear	7 3-15E 3-25M 3-16E 3-25M 3-19H	Inside trunk left rear; below tail lamp assy.
T7	Back-Up Lamp; right Fuel Pump Marker Lamp; right rear Rear Window Heater Stop Lamp; right Tail Lamp; right Turn Signal Lamp; right rear	3-16E 3-5C 3-26M 3-11E 3-17E 3-26M 3-20H	Inside trunk, right side, behind fuel tank bulkhead.
T13	Diagnostic Plug, pin 2	3-5G	Under hood on Ignition Coil bracket

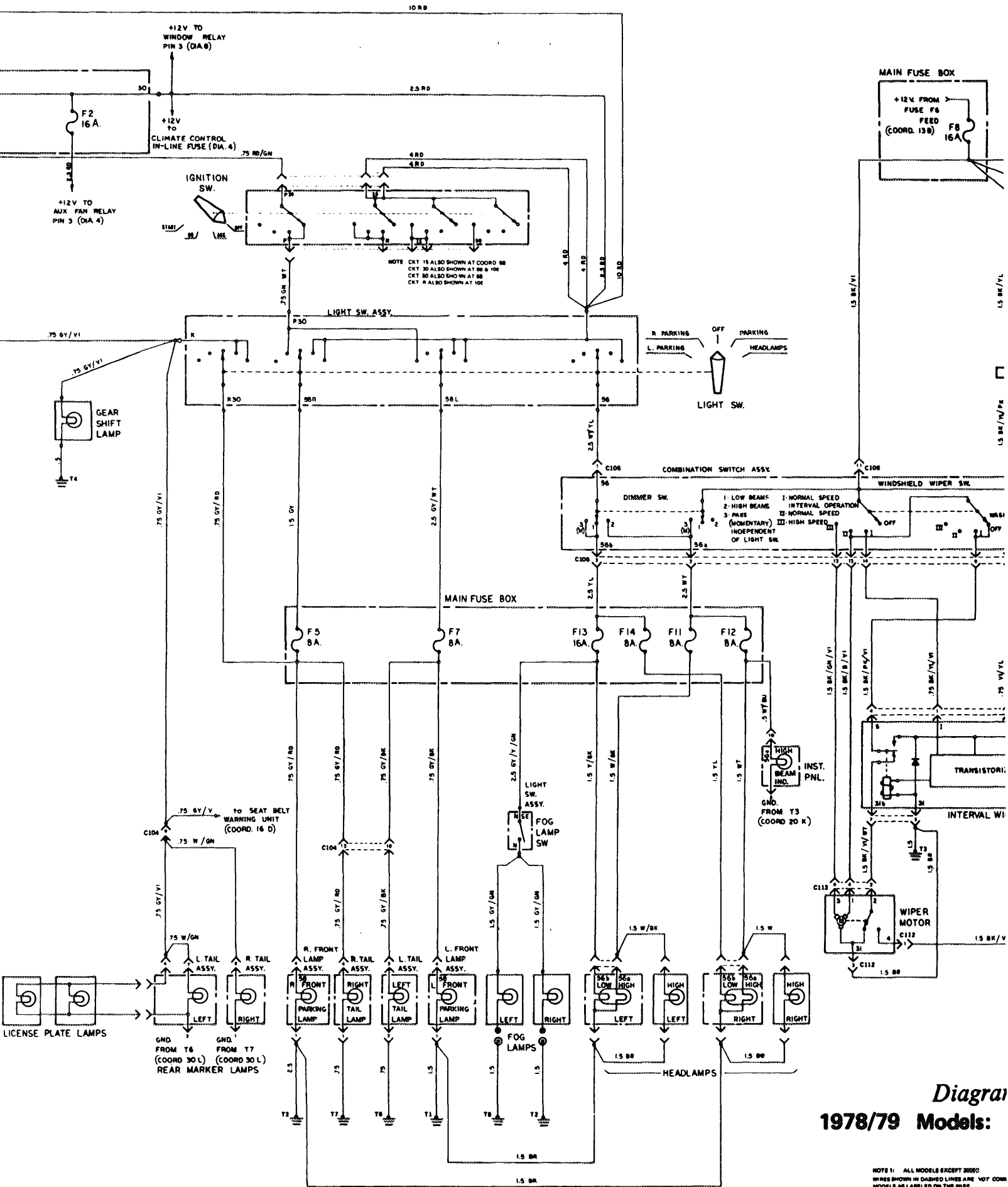






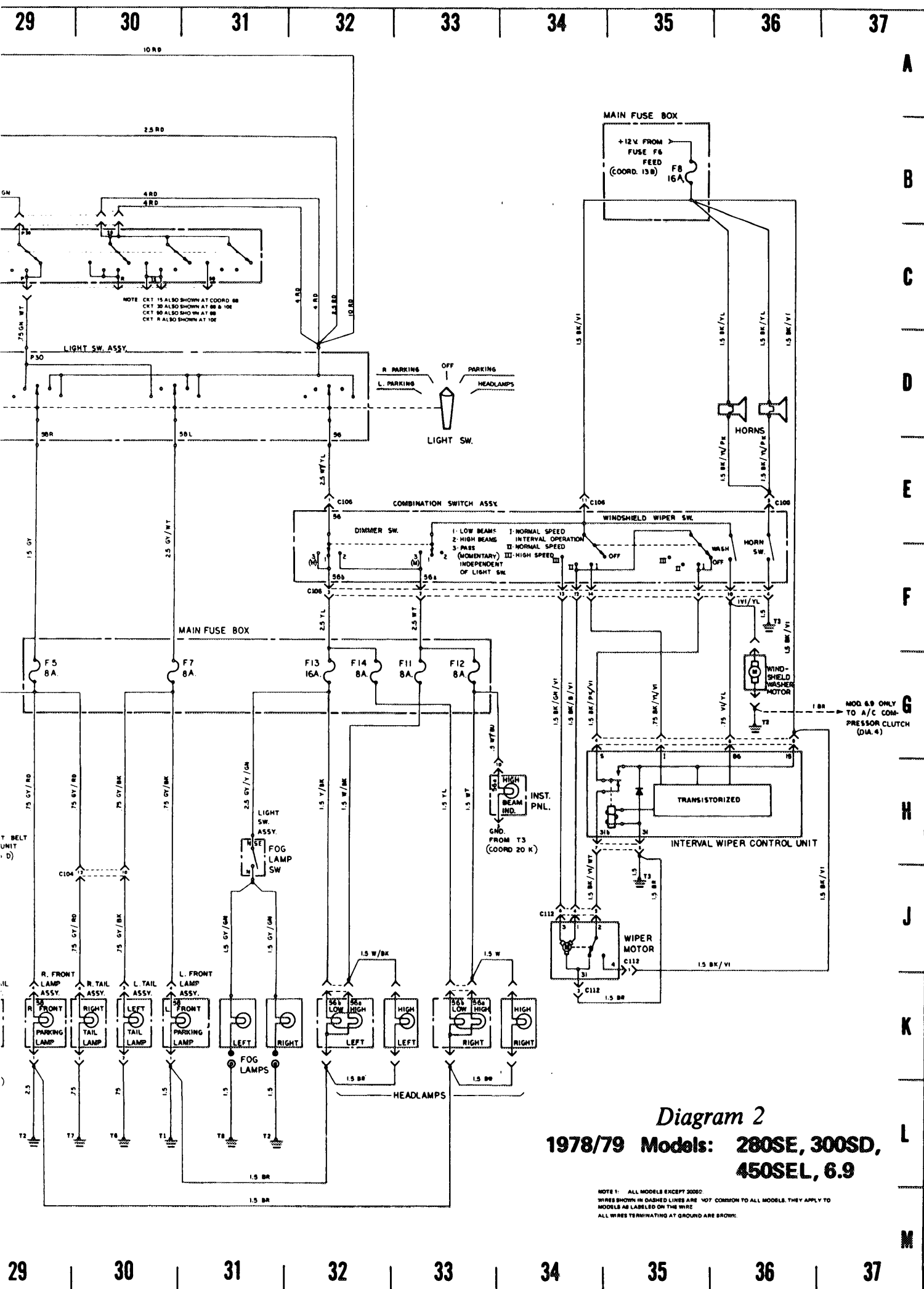
MAIN FUSE BOX





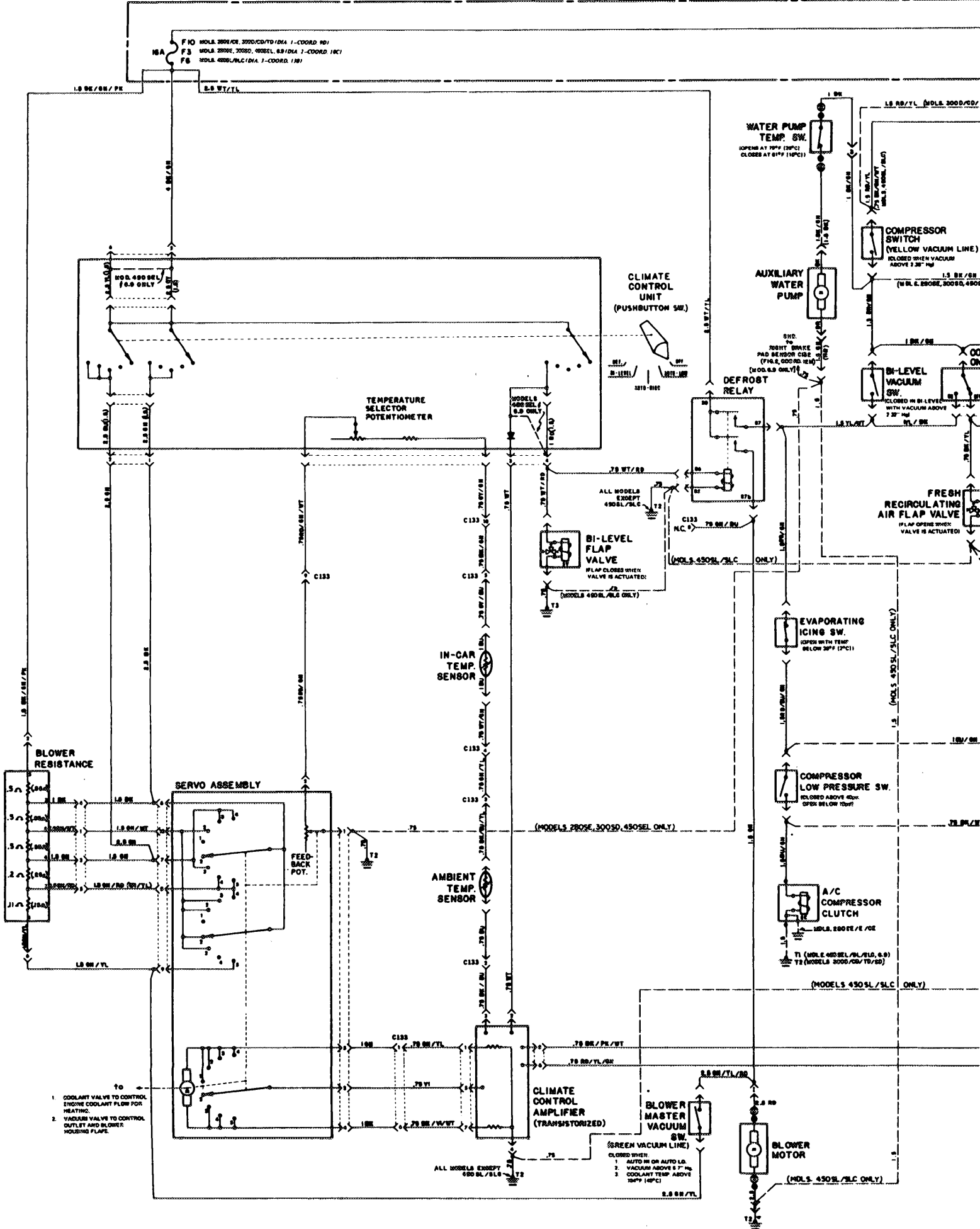
**Diagram**  
**1978/79 Models:**

NOTE 1: ALL MODELS EXCEPT 2000.  
WIRES SHOWN IN DASHED LINES ARE NOT COMMON MODELS AS LABELED ON THE WIRE.  
ALL WIRES TERMINATING AT GROUND ARE BRO.



A  
 B  
 C  
 D  
 E  
 F  
 G  
 H  
 J  
 K  
 L  
 M

MAIN FUSE BOX

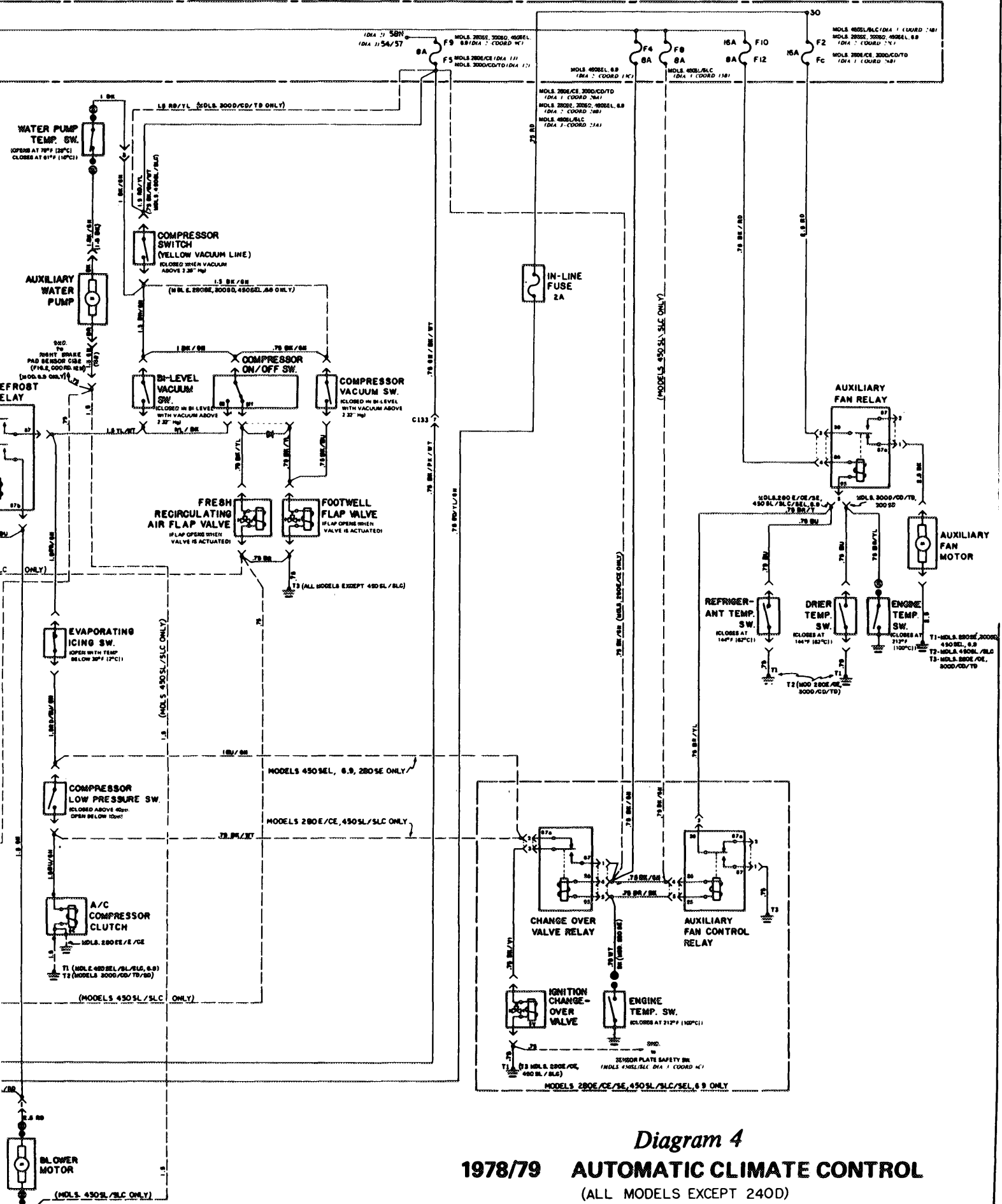


1. COOLANT VALVE TO CONTROL ENGINE COOLANT FLOW FOR HEATING.
2. VACUUM VALVE TO CONTROL OUTLET AND BLOWER HOUSING FLAP.

- CLOSED WHEN:
1. AUTO HI OR AUTO LO.
  2. VACUUM ABOVE 5" Hg.
  3. COOLANT TEMP ABOVE 100°F (38°C).

F10: MOLS 280E, 280SE, 450SEL, 6.9  
 (DIA 1 COORD 121)  
 F12: MOLS 280E/CE, 3000/CD/TO  
 (DIA 1 COORD 140)  
 MOLS 450SL/SLC  
 (DIA 1 COORD 148)

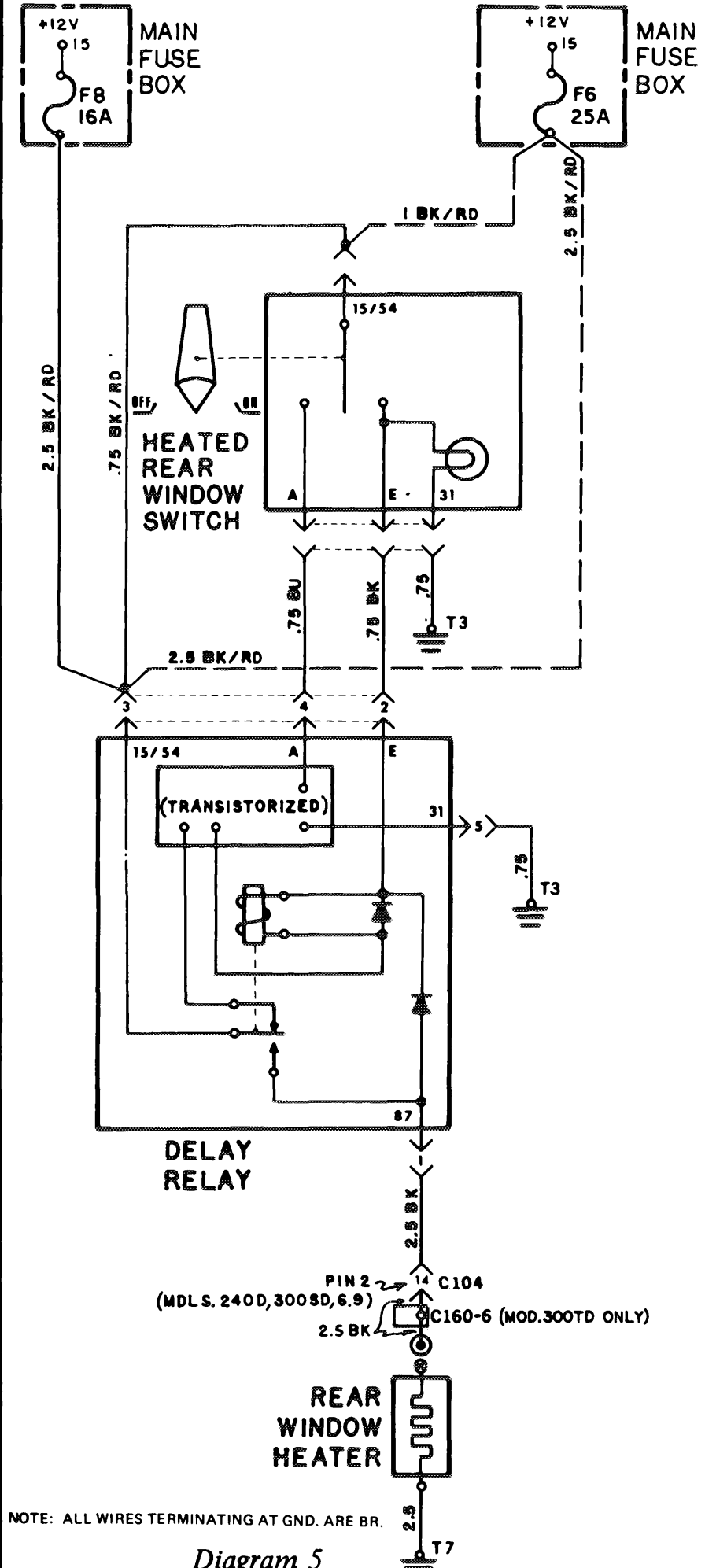
MAIN FUSE BOX



**Diagram 4**  
**1978/79 AUTOMATIC CLIMATE CONTROL**  
 (ALL MODELS EXCEPT 240D)  
 NOTE: ALL WIRES TERMINATING AT GND ARE BN

MDLS. 240D, 280E/CE,  
300D/CD/TD  
(DIA. 1 - COORD. 7D)

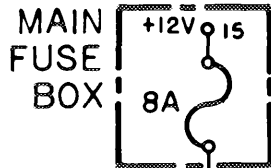
MDLS. 280SE, 300SD,  
450SEL, 6.9  
(DIA. 2 - COORD. 10C)



NOTE: ALL WIRES TERMINATING AT GND. ARE BR.

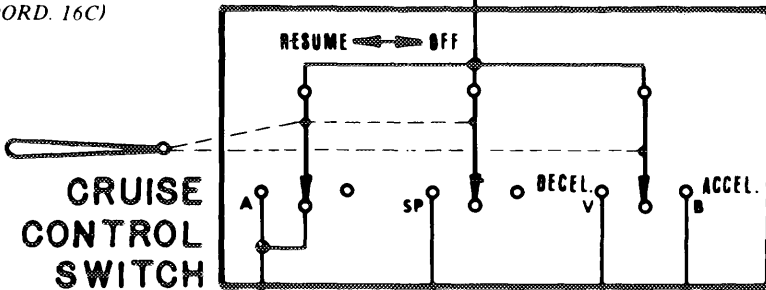
Diagram 5

1978/79 REAR WINDOW HEATER

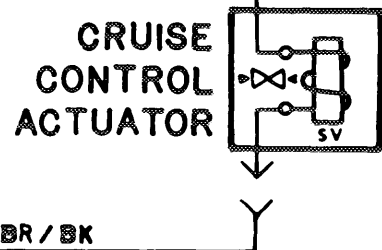
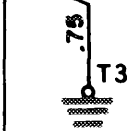
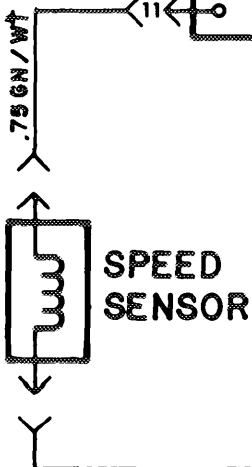
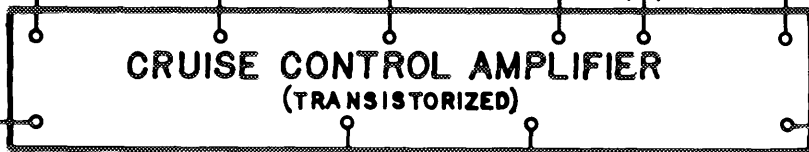
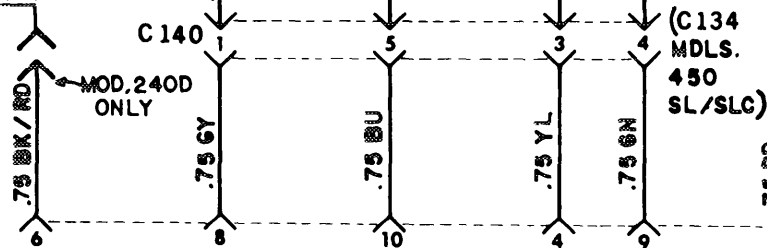


F12 - MDLS. 240D, 280E/CE, 300D/CD/TD  
 (DIA. 1, COORD. 14D)  
 F4 - MDLS. 280SE, 300SD, 450SEL, 6.9  
 (DIA. 2, COORD. 12C)

.75 RD (MDLS. 450 SL/SLC ONLY)  
 +12V from STOP LAMP SW.  
 (DIA. 3, COORD. 16C)



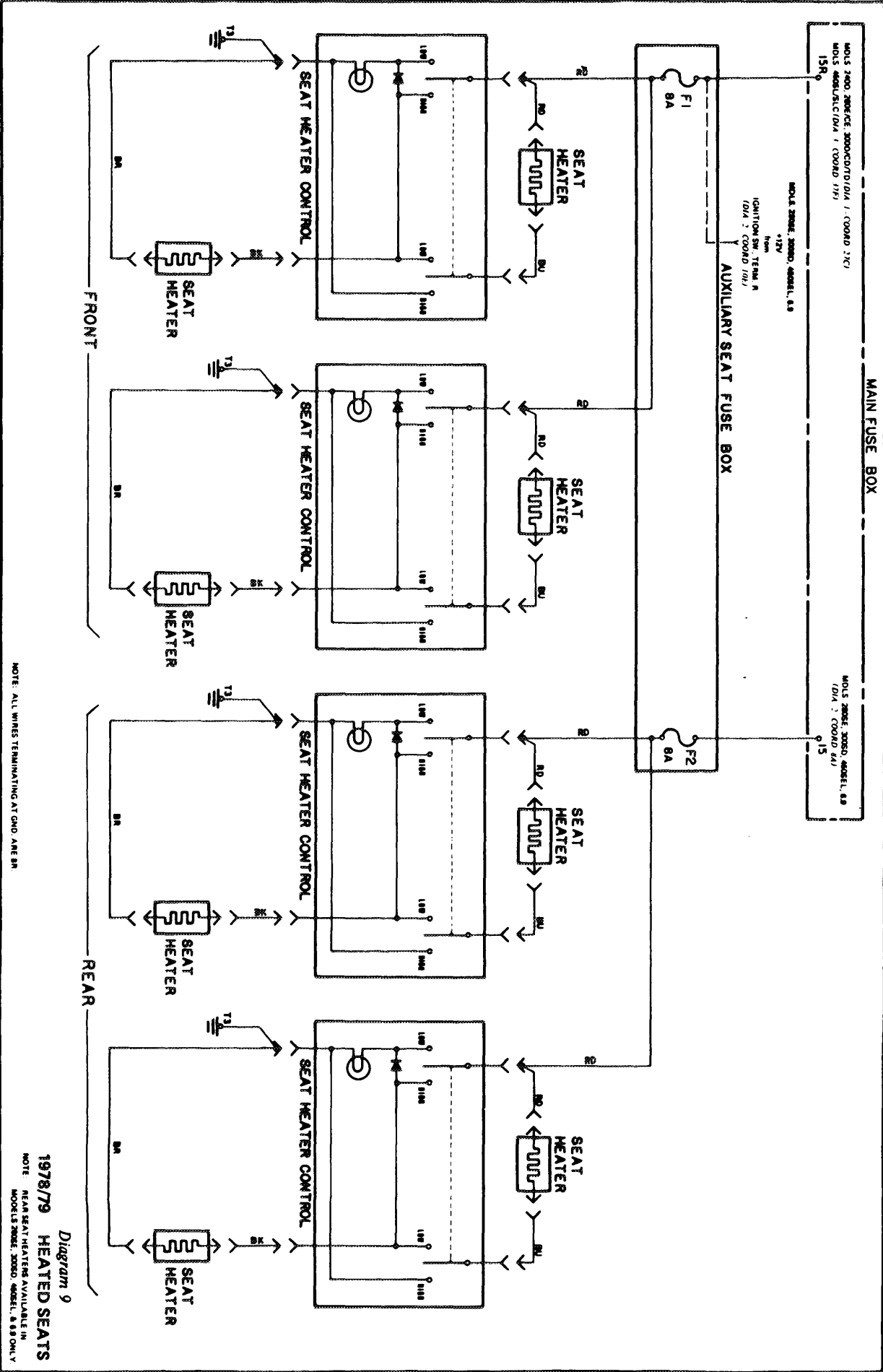
+12V from STOP LAMP SW.  
 (DIA. 1, COORD. 15E)  
 (DIA. 2, COORD. 11G)  
 (DIA. 3, COORD. 16D)



NOTE: ALL WIRES TERMINATING AT GND. ARE BR.

Diagram 6  
 1978/79 CRUISE CONTROL





MAIN FUSE BOX

MOULS 1400, 2095, 3000, 4000, 5000, 6000, 7000, 8000, 9000, 10000, 11000, 12000, 13000, 14000, 15000, 16000, 17000, 18000, 19000, 20000, 21000, 22000, 23000, 24000, 25000, 26000, 27000, 28000, 29000, 30000, 31000, 32000, 33000, 34000, 35000, 36000, 37000, 38000, 39000, 40000, 41000, 42000, 43000, 44000, 45000, 46000, 47000, 48000, 49000, 50000, 51000, 52000, 53000, 54000, 55000, 56000, 57000, 58000, 59000, 60000, 61000, 62000, 63000, 64000, 65000, 66000, 67000, 68000, 69000, 70000, 71000, 72000, 73000, 74000, 75000, 76000, 77000, 78000, 79000, 80000, 81000, 82000, 83000, 84000, 85000, 86000, 87000, 88000, 89000, 90000, 91000, 92000, 93000, 94000, 95000, 96000, 97000, 98000, 99000, 100000

MOULS 2095, 3000, 4000, 5000, 6000, 7000, 8000, 9000, 10000, 11000, 12000, 13000, 14000, 15000, 16000, 17000, 18000, 19000, 20000, 21000, 22000, 23000, 24000, 25000, 26000, 27000, 28000, 29000, 30000, 31000, 32000, 33000, 34000, 35000, 36000, 37000, 38000, 39000, 40000, 41000, 42000, 43000, 44000, 45000, 46000, 47000, 48000, 49000, 50000, 51000, 52000, 53000, 54000, 55000, 56000, 57000, 58000, 59000, 60000, 61000, 62000, 63000, 64000, 65000, 66000, 67000, 68000, 69000, 70000, 71000, 72000, 73000, 74000, 75000, 76000, 77000, 78000, 79000, 80000, 81000, 82000, 83000, 84000, 85000, 86000, 87000, 88000, 89000, 90000, 91000, 92000, 93000, 94000, 95000, 96000, 97000, 98000, 99000, 100000

MOULS 2095, 3000, 4000, 5000, 6000, 7000, 8000, 9000, 10000, 11000, 12000, 13000, 14000, 15000, 16000, 17000, 18000, 19000, 20000, 21000, 22000, 23000, 24000, 25000, 26000, 27000, 28000, 29000, 30000, 31000, 32000, 33000, 34000, 35000, 36000, 37000, 38000, 39000, 40000, 41000, 42000, 43000, 44000, 45000, 46000, 47000, 48000, 49000, 50000, 51000, 52000, 53000, 54000, 55000, 56000, 57000, 58000, 59000, 60000, 61000, 62000, 63000, 64000, 65000, 66000, 67000, 68000, 69000, 70000, 71000, 72000, 73000, 74000, 75000, 76000, 77000, 78000, 79000, 80000, 81000, 82000, 83000, 84000, 85000, 86000, 87000, 88000, 89000, 90000, 91000, 92000, 93000, 94000, 95000, 96000, 97000, 98000, 99000, 100000

AUXILIARY SEAT FUSE BOX

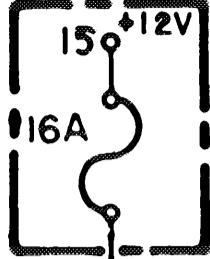
FRONT

REAR

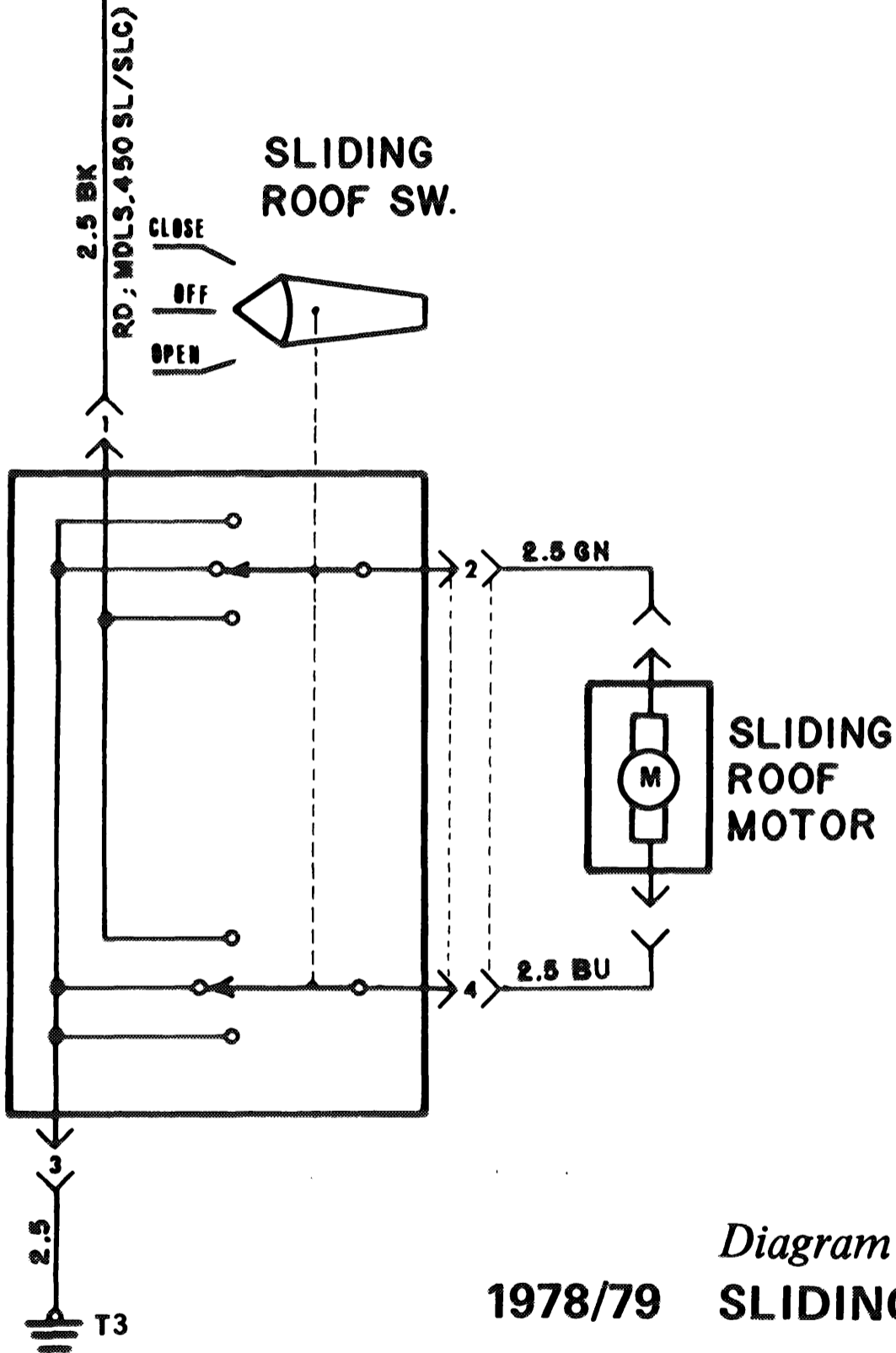
NOTE: ALL WIRES TERMINATING AT QND. ARE BR

Diagram 9  
1978/79 HEATED SEATS  
NOTE: REAR SEAT HEATERS AVAILABLE IN MODELS 2095, 3000, 4000, 5000 ONLY

**MAIN FUSE BOX**



- Fd — MDLS. 240D, 280E/CE, 300D/CD (DIA. 1-COORD. 8D)
- F10 — MDLS. 280SE, 300SD, 450SEL, 6.9 (DIA. 2-COORD. 11C)
- F5 — MDL. 450SLC (DIA. 3-COORD. 21B)



*Diagram 10*  
**1978/79 SLIDING ROOF**

NOTE: ALL WIRES TERMINATING AT GND. ARE BR.