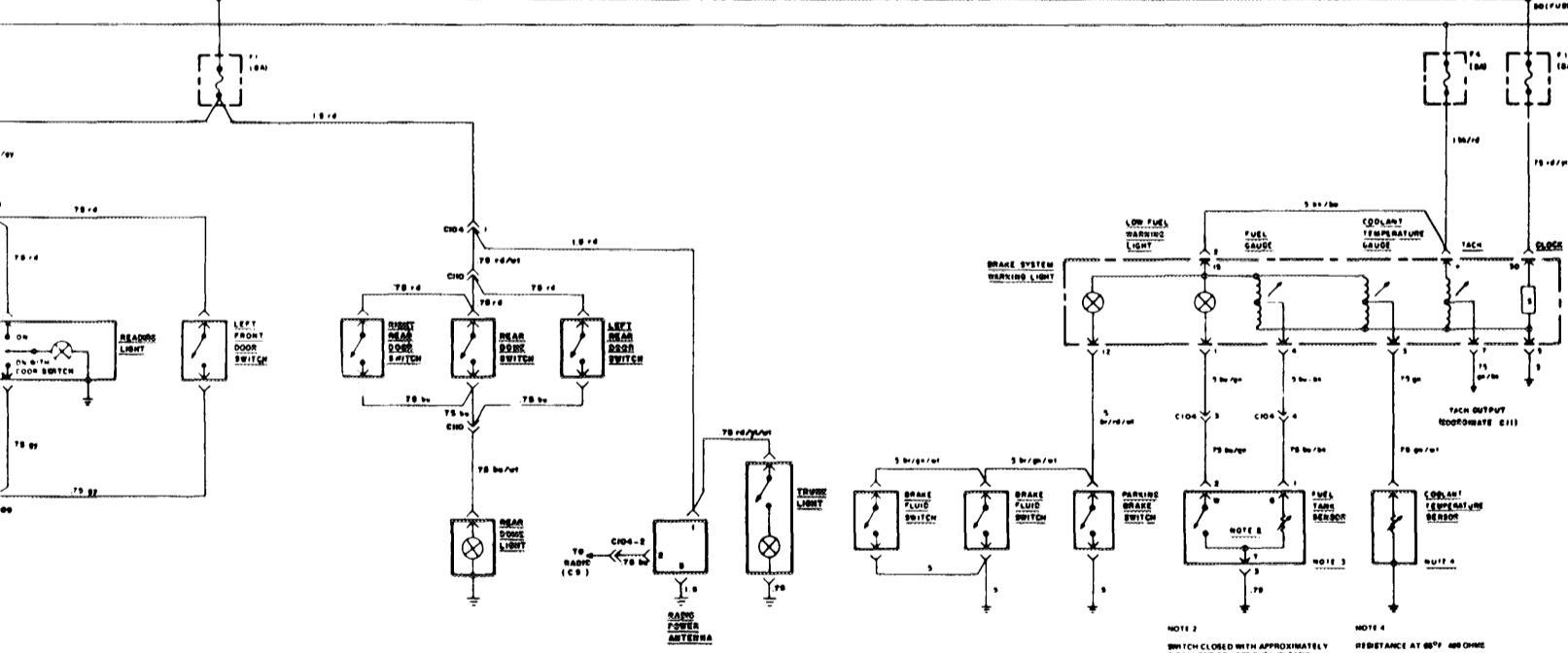


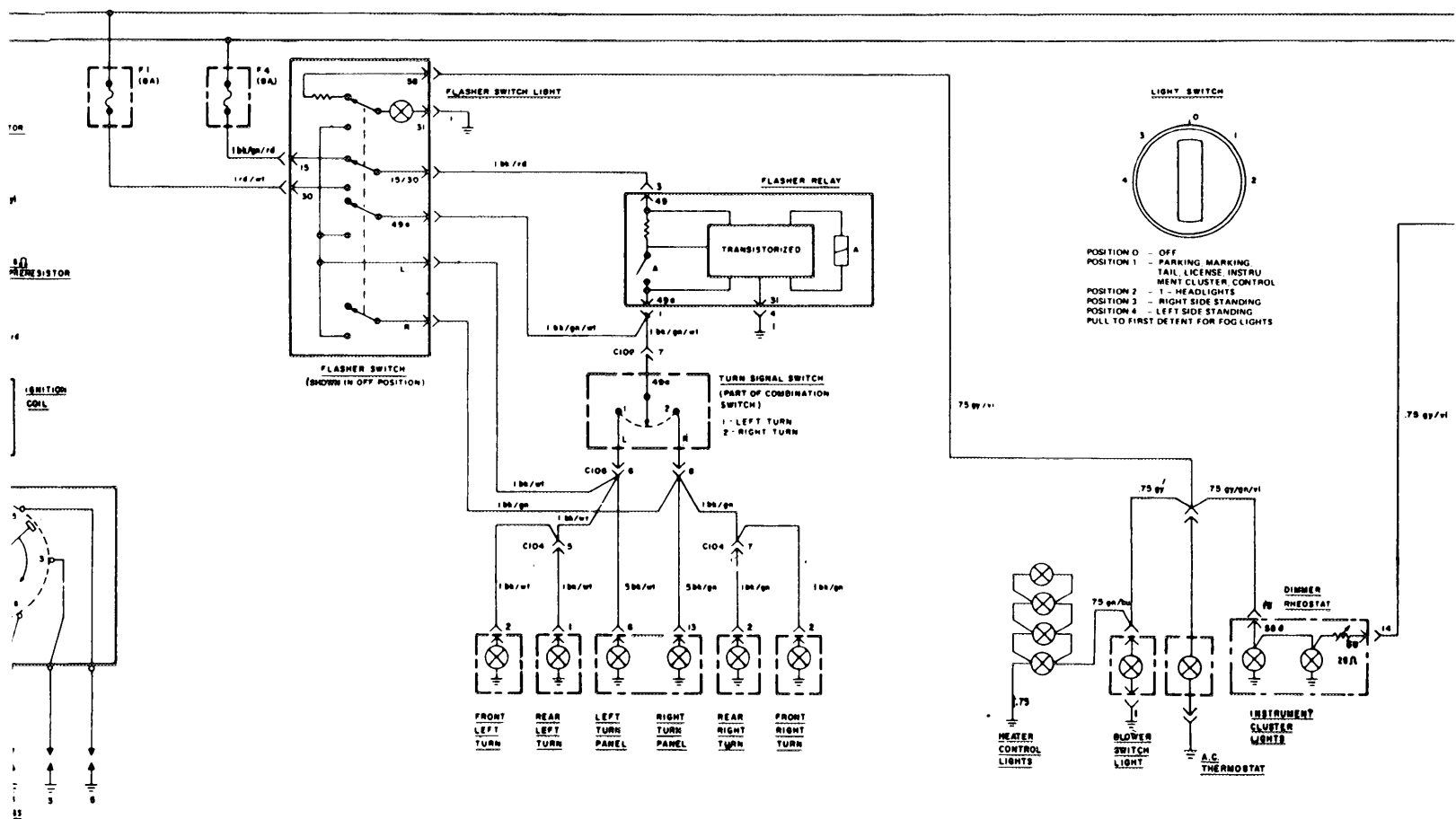
7 8 9 10 11 12



NOTE 2
SWITCH CLOSED WITH APPROXIMATELY 5 GALLONS OR LESS FUEL IN TANK

NOTE 3
RESISTANCE OF SENSOR
FULL TANK - 2 OHMS
3/4 TANK - 10 OHMS
1/2 TANK - 30 OHMS
1/4 TANK - 87 OHMS
0 TANK - 10 OHMS

NOTE 4
RESISTANCE AT 80°F APPROXIMATELY 10 OHMS



12 | 13 | 14 | 15 | 16 | 17

COMPONENT INDEX

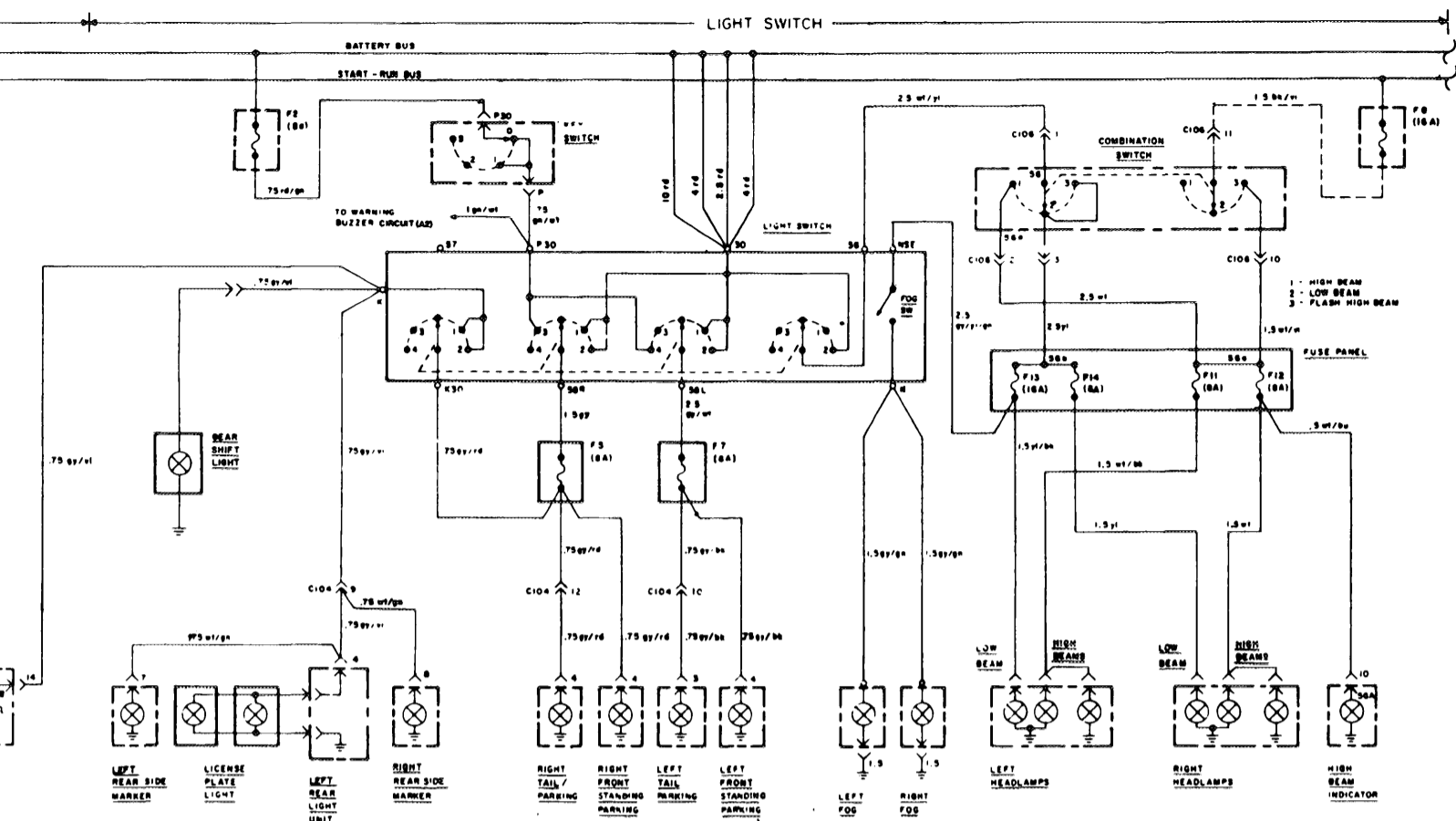
SYSTEM/ COMPONENT	LOCATION ON VEHICLE	LOC. FIG. NO.	TERM. FIG. NO.	SYSTEM/ COMPONENT	LOCATION ON VEHICLE	LOC. FIG. NO.	TERM. FIG. NO.
CHARGE Regulator	Alternator			TRUNK LIGHT C 104 (12 terminal)	Under dash, driver's side	1	T4
ELECTRIC WINDOWS Front seat switch Window relay—key 10 C 107 (6 terminal) C 108 (2 terminal)	Console Left kick panel Console Console		T8 T7 T2	TURN SIGNAL AND FLASHER Flasher relay C 104 (12 terminal) C 106 (14 terminal)	Under dash, driver's side Under dash, driver's side Under dash, driver's side	1 1 1	T4 T4 T5
IGNITION SYSTEM Coil Distributor 4 Ohm preselector 6 Ohm preselector Transistorized ignition switching unit	Left inner fender Engine, top front Left inner fender Left inner fender Left inner fender		5 5 5 5				
INSTRUMENT CLUSTER Brake fluid switches Coolant temp. sensor Fuel tank sensor Parking brake switch C 104 (12 terminal)	Brake cylinder reservoir neck Right rear cylinder head Below first aid kit well Top of parking brake Under dash, driver's side		7				
INTERIOR LIGHTS C 109	Under dash, driver's side						
LIGHT SWITCH C 104 (12 terminal) C 106 (14 terminal)	Under dash, driver's side Under dash, driver's side		T13 T4 T5				
POWER ANTENNA C 104 (12 terminal)	Under dash, driver's side		T4				
SEAT BELT WARNING Ignition lock warning Warning unit	Under dash, driver's side (brake pedal support)		T12				
SLIDING ROOF Motor	Near left trunk hinge						
START AC/Starter relay, key 4 C 105 (3 terminal)	Fuse box Under battery plate	4	T7				



- 1—Turn signal
- 2—Heated rear
- 6—Interval wipe
- 7—C 104
- 8—C 106
- 9—Cruise contr
- 10—C 118
- 11—C 119
- 12—C 120



Key 6—Auxiliary
Key 10—Window



18

19

20

21

22

23

LOCATION FIGURES



Fig 1

- 1—Turn signal flasher relay
- 2—Heated rear window delay relay
- 6—Interval wipe relay
- 7—C 104
- 8—C 106
- 9—Cruise control amplifier
- 0—C 118
- 1—C 119
- 2—C 120

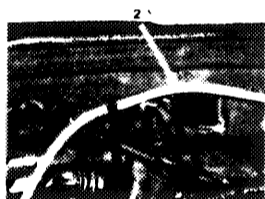


Fig 3

- 2—Blower motor pre-resistors connector



Fig 5

- 1—Automatic choke pre-resistance heater relay (can be located in either position)
- 3—Coil
- 4—0.4 ohm pre-resistor
- 5—0.6 ohm pre-resistor
- 6—Transistorized ignition switching unit

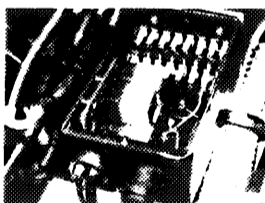


Fig 4

- 5—Radio fuse Fuses

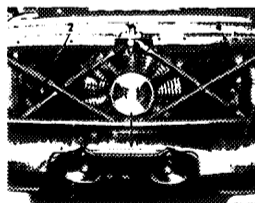


Fig 6

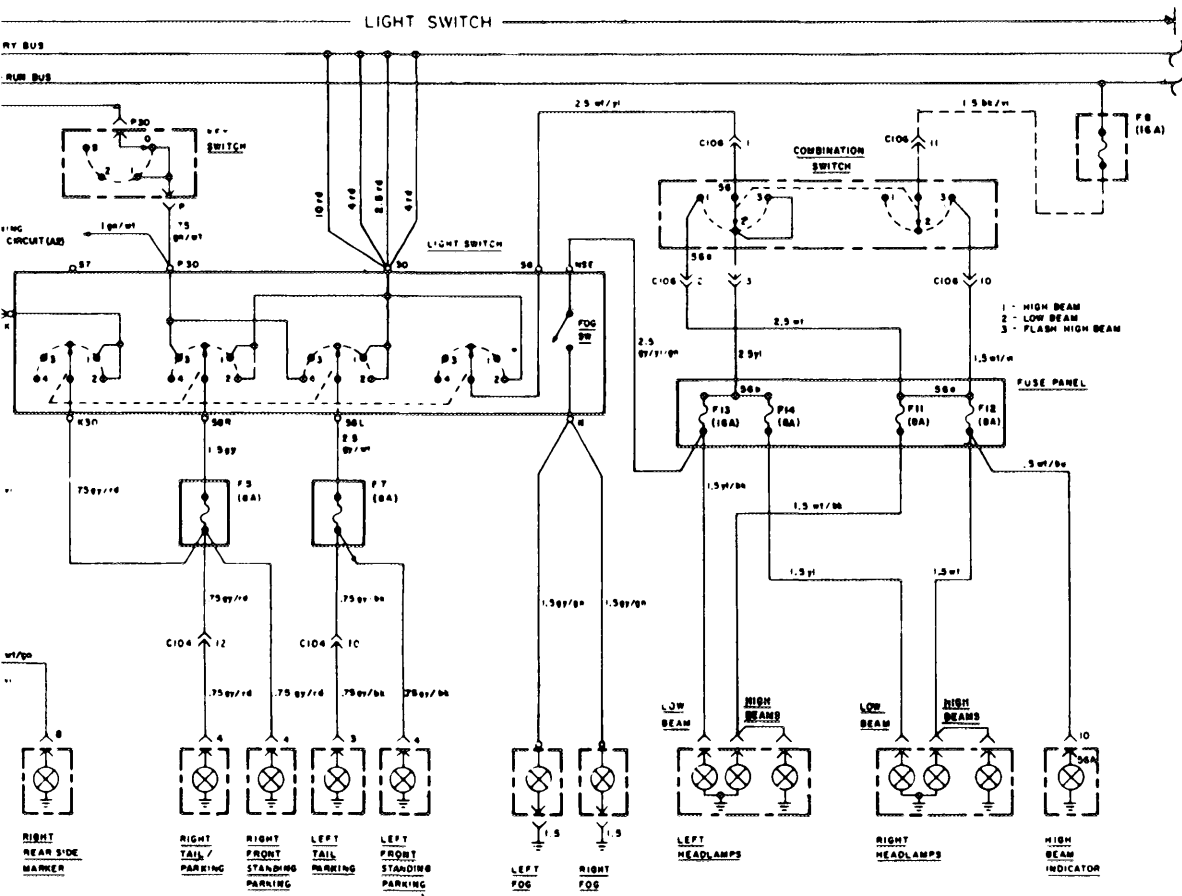
- 1—Auxiliary fan
- 4—Temperature switch



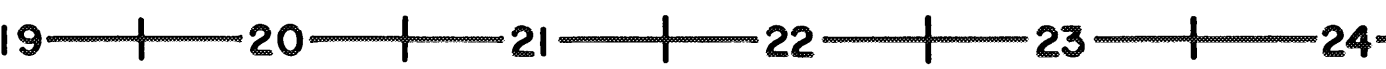
Fig 2

- 6—Auxiliary fan relay
- 10—Window relay

- AIR CONDITIONING
- AUXILIARY FAN
- BLOWER MOTOR CO
- CHARGE
- CIGAR LIGHTER
- CLOCK
- COOLANT TEMPERA
- CRUISE CONTROL
- ENGINE EMISSION C
- FUEL GAUGE
- HEATED REAR WIND
- HEATER CONTROL
- HORNS
- IGNITION SYSTEM
- KICKDOWN
- LIGHT CIRCUITS
- AIR CONDITIONI
- BACKUP
- BRAKE
- BRAKE WARNIN
- CONTROL
- FOG
- GLOVE BOX
- HEAD
- INTERIOR CL
- INTERIOR
- LOW FUEL WARP
- MARKER
- PARKING
- STANDING
- TAIL
- TRUNK
- LIGHT SWITCH
- RADIO
- ANTENNA
- SEAT BELT WARNIN
- SLIDING ROOF
- START
- TURN SIGNAL/FLAS
- TACH
- WINDOWS
- WINDSHIELD WIPER/
- POWER BUS DETAILS
- SPECIAL GROUNDING



A
B
C
D



LOCATION FIGURES

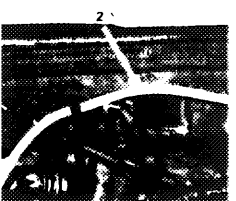


Fig 3
lower motor pre-resistors connector



Fig 5
1—Automatic choke pre-resistance heater relay (can be located in either position)
3—Coil
4—0.4 ohm pre-resistor
5—0.6 ohm pre-resistor
6—Transistorized ignition switching unit

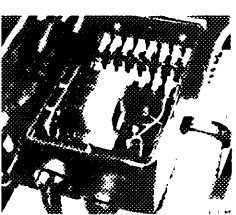


Fig 4
radio fuse uses

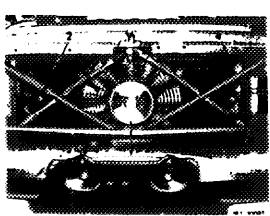
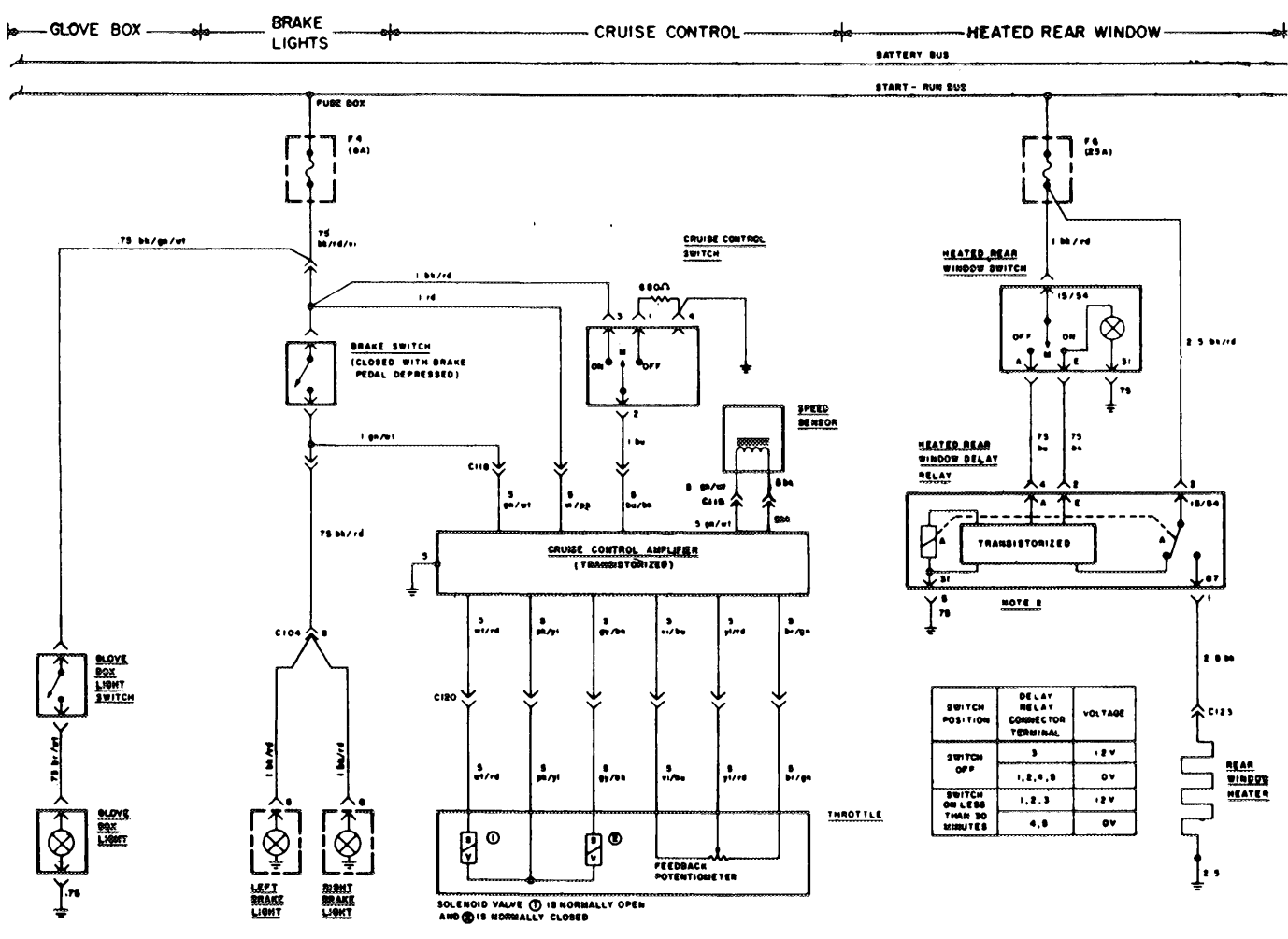
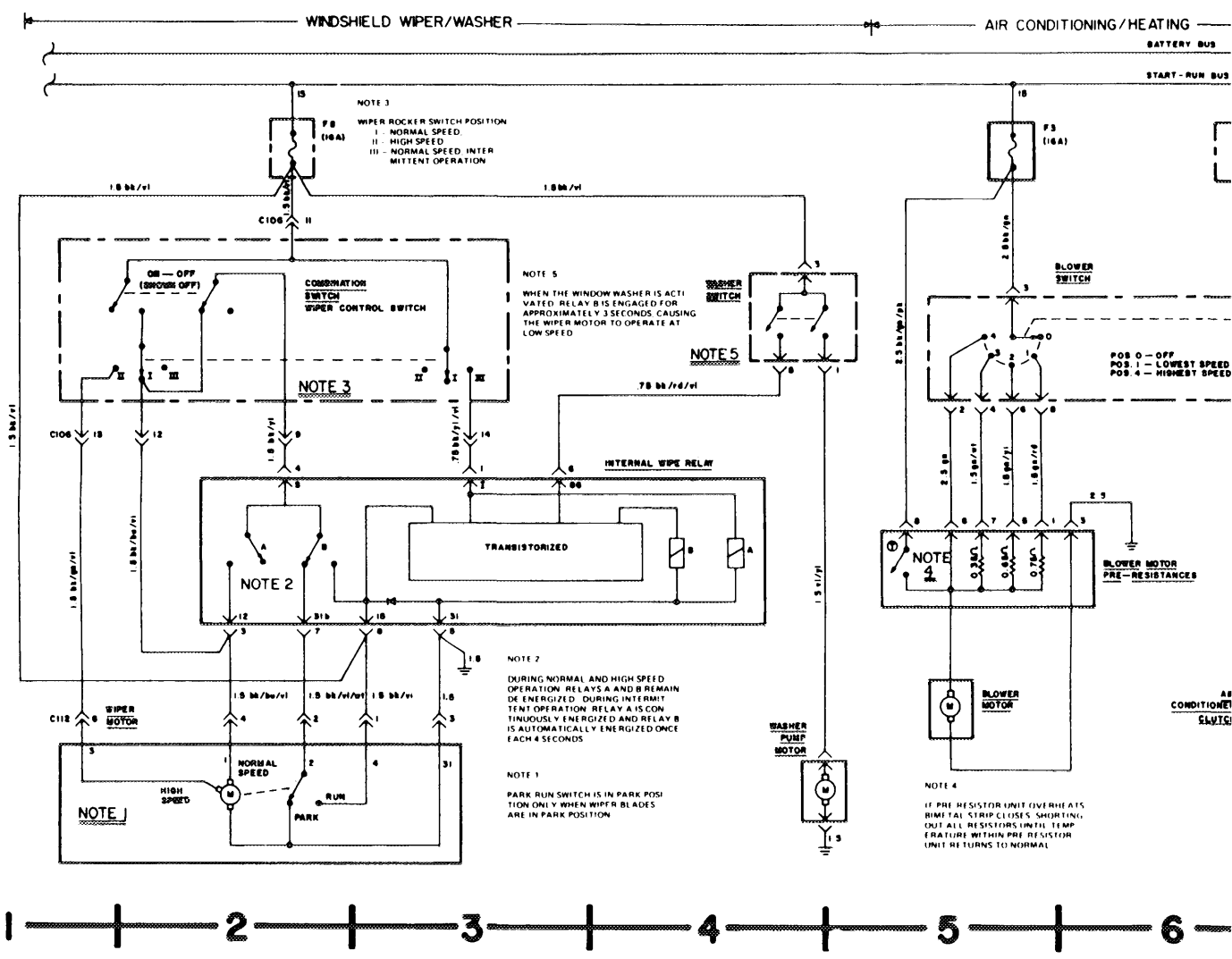


Fig 6
1—Auxiliary fan
4—Temperature switch

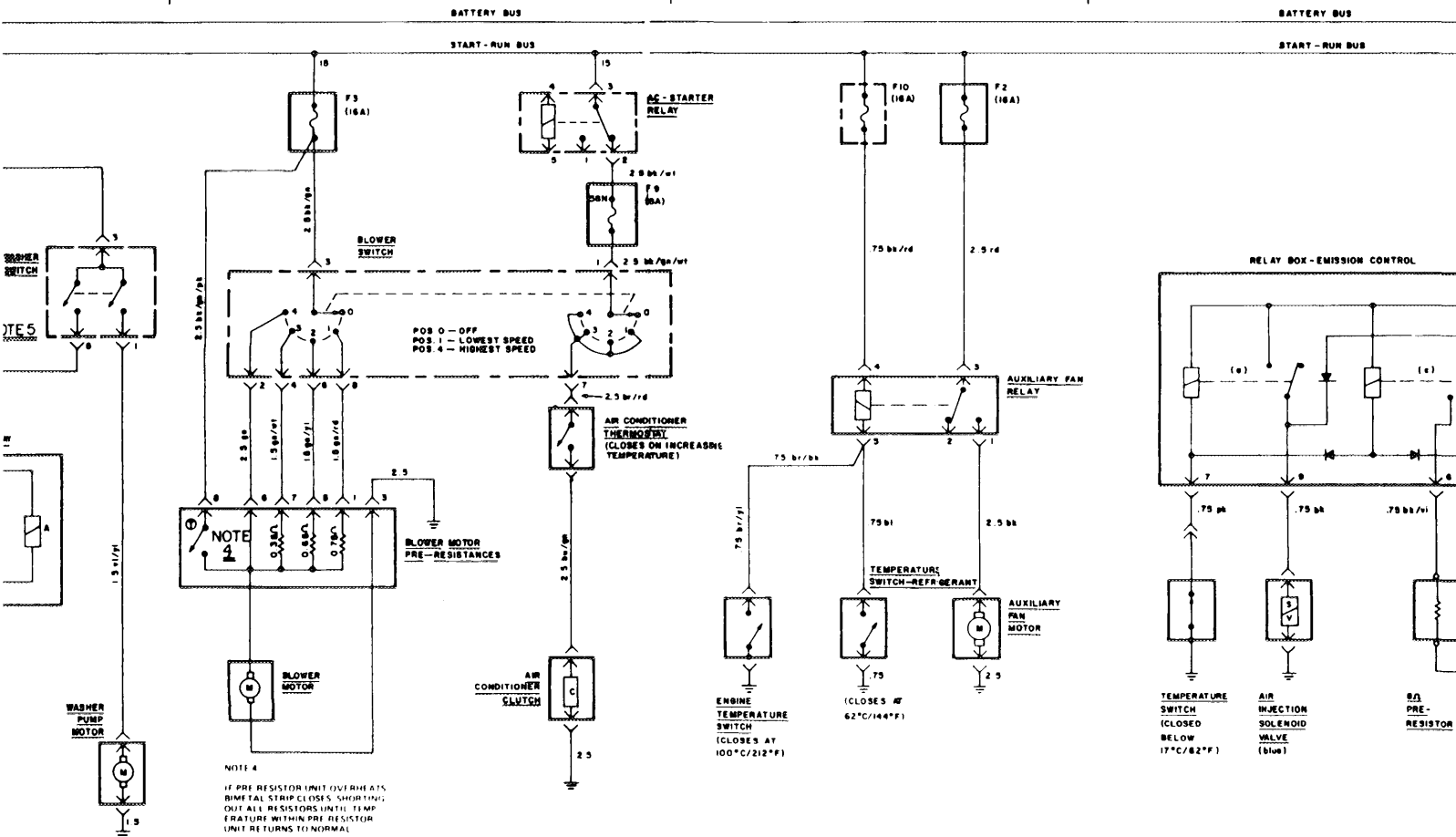
1975 280S

AIR CONDITIONING CONTROL	K6
AUXILIARY FAN	L8
BLOWER MOTOR CONTROL	L5
CHARGE	C8
CIGAR LIGHTER	C6
CLOCK	F14
COOLANT TEMPERATURE GAUGE	F13
CRUISE CONTROL	R3
ENGINE EMISSION CONTROL	L11
FUEL GAUGE	F13
HEATED REAR WINDOW	R5
HEATER CONTROL	K5
HORNS	L13
IGNITION SYSTEM	C11
KICKDOWN	R7
LIGHT CIRCUITS	
AIR CONDITIONING THERMOSTAT	D17
BACKUP	S7
BRAKE	S2
BRAKE WARNING SYSTEM	F12
CONTROL	D16
FOG	D21
GLOVE BOX	R1
HEAD	D23
INSTRUMENT CLUSTER	D17
INTERIOR	G8
LOW FUEL WARNING	F13
MARKER	D19
PARKING	D20
STANDING	D20
TAIL	D20
TRUNK	G10
LIGHT SWITCH	B21
RADIO	C4
ANTENNA	G10
SEAT BELT WARNING	C2
SLIDING ROOF	G1
START	C4/C9
TURN SIGNAL/FLASHER	C14
TACH	F14
WINDOWS	G4
WINDSHIELD WIPER/WASHER	L3
POWER BUS DETAILS	L15
SPECIAL GROUNDING CIRCUITS	K19



AIR CONDITIONING/HEATING

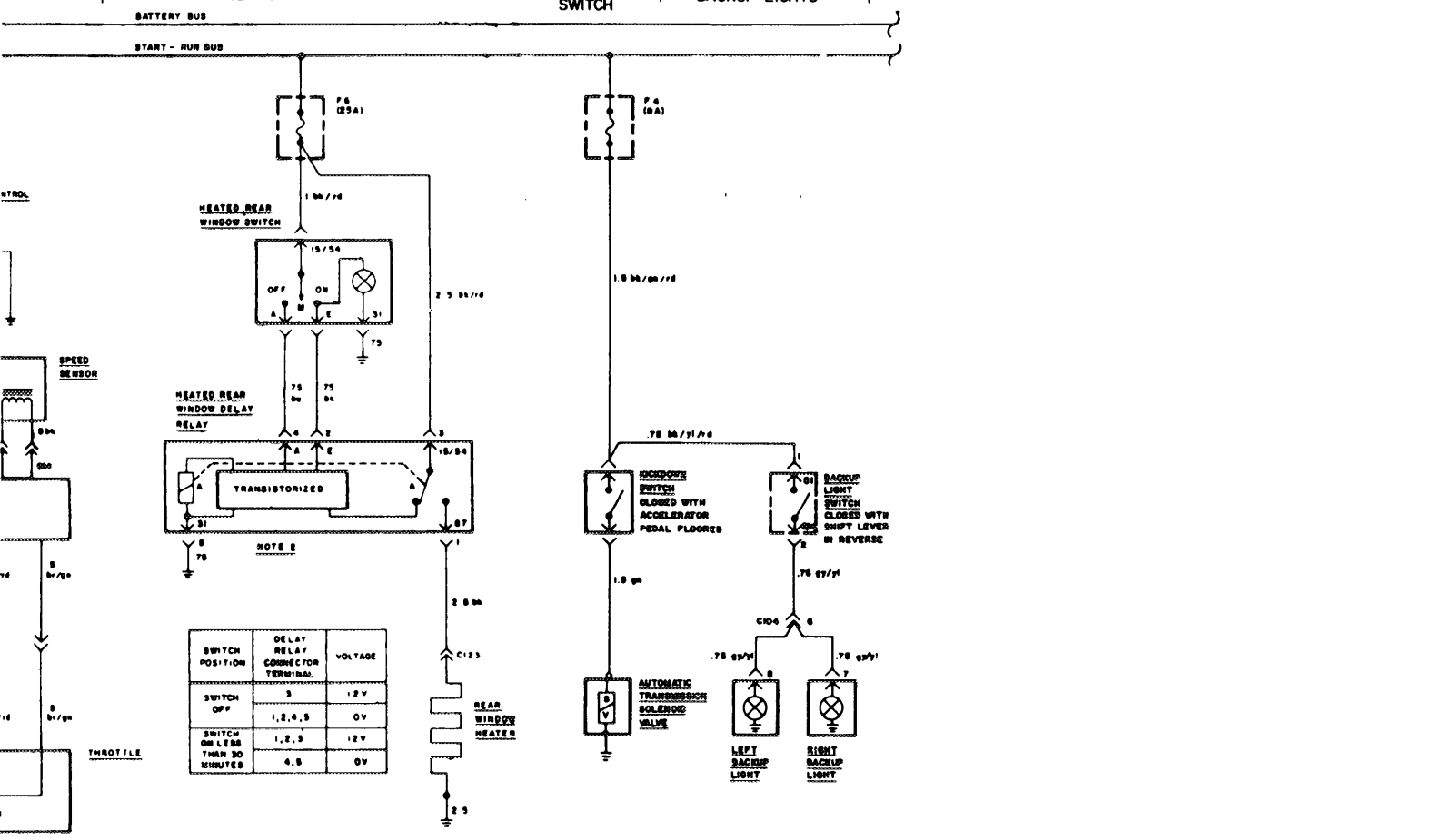
AUXILIARY FAN



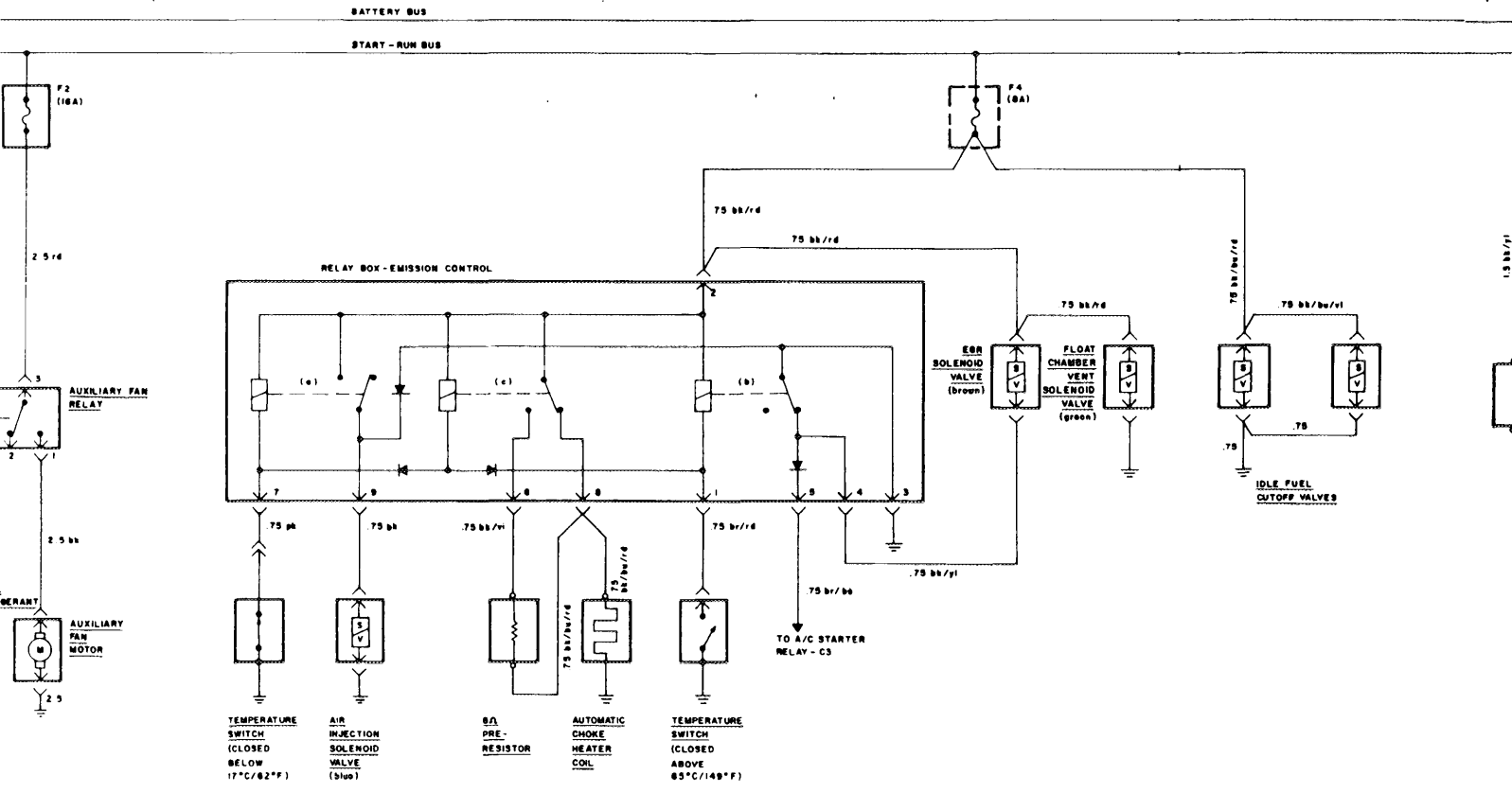
HEATED REAR WINDOW

KICKDOWN SWITCH

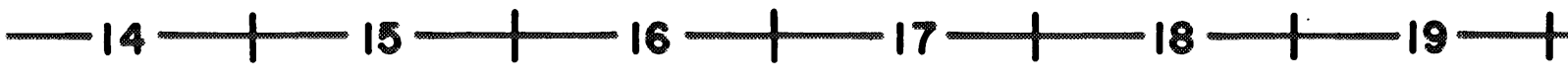
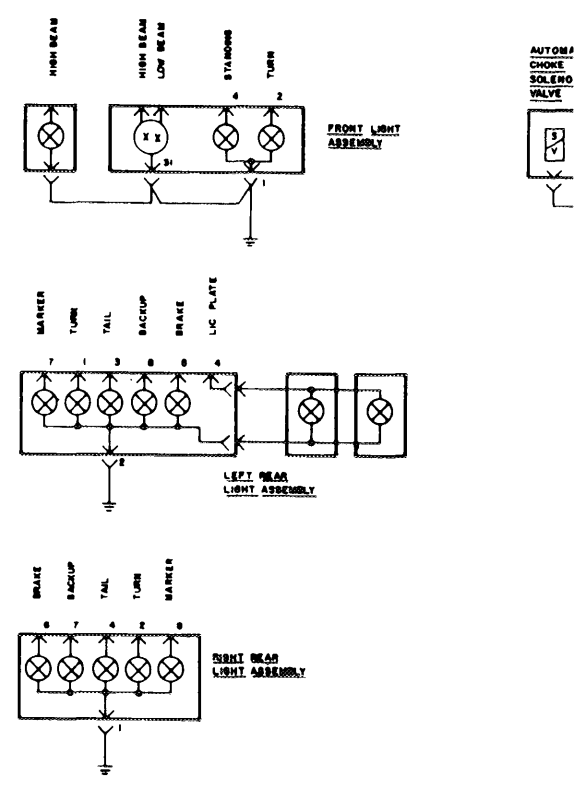
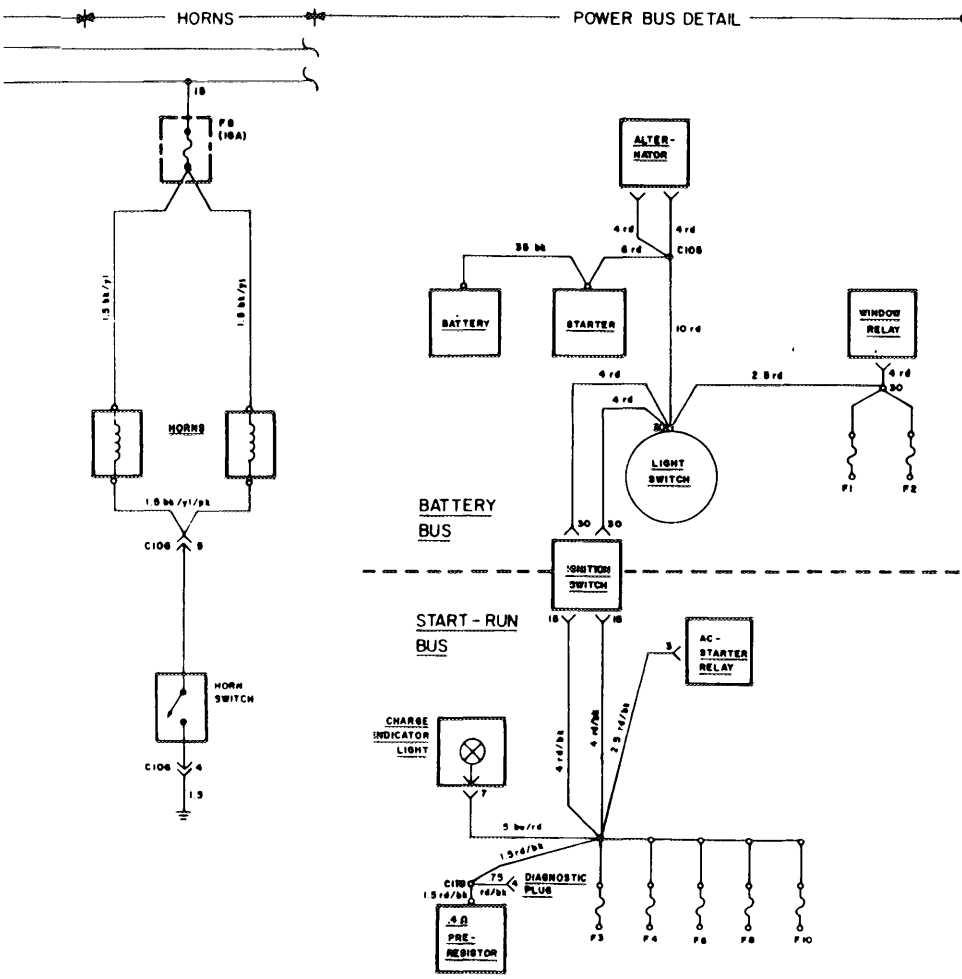
BACKUP LIGHTS



EMISSION CONTROLS



SYSTEM / COMPONENT
AIR CONDITIONING/HEATING AC/Starter relay (key 4) Blower motor pre-resistances Blower motor
AUXILIARY FAN Engine temp switch-212 F Auxiliary fan relay (key 8) Temperature switch—refrigerant
BACKUP LIGHTS Switch C 104 (12 terminal)
BRAKE LIGHTS Switch C 104 (12 terminal)
CRUISE CONTROL Amplifier Speed sensor
Throttle actuator C 118 C 119 C 120



COMPONENT INDEX

SYSTEM/COMPONENT	LOCATION ON VEHICLE	LOC FIG NO	TERM FIG NO	SYSTEM/COMPONENT	LOCATION ON VEHICLE	LOC FIG NO	TERM FIG NO	
HEATING/COOLING	Fuse box	4	T7	ENGINE EMISSION CONTROL	Left inner fender	7		
	Relay box	3			Relay box — emission control	Oil filter mount	7	
	Under dash, behind glove box	3			Temp switch — 17C/62F	Right side engine	7	
FAN	Engine top front	7		Temp switch — 65C/149F	Left inner fender	7		
	Left kick panel	2	T7	Air injection switch-over valve (bu)	Left inner fender	7		
	Receiver — dryer	6		EGR switch-over valve (red)	Left inner fender	7		
LIGHTS	Left side transmission	1	T4	Float chamber vent	Left inner fender	7		
	Under dash, driver's side	1	T4	Switch-over valve	Left inner fender	7		
	Under dash, driver's side	1	T4	8 ohm pre resistor	Left inner fender	7		
CONTROLS	Under dash, driver's side	1		FUSES	Fuse box	4		
	Under dash, driver's side — speedometer cable	1		HEATED REAR WINDOW	Under dash, driver's side	1	T14	
	Right fender, near hood spring	1		Heated rear window delay relay	Behind rear seat, left side	1	T14	
WIPERS/WASHERS	Under dash, driver's side	1		HORNS	Under dash, driver's side	1	T5	
	Under dash, behind console	1		C 106 (14 terminal)	Under dash, driver's side	1	T5	
	Under dash, driver's side	1		KICKDOWN SWITCH	Under accelerator pedal			
WIPERS/WASHERS	Under dash, driver's side	1		Kickdown switch	Right side of transmission			
	Under dash, behind console	1		Automatic transmission solenoid valve				
	Under dash, driver's side	1		WINDSHIELD WIPER/WASHER	Under dash, driver's side	1	T10	
	Under dash, behind console	1		Interval wipe relay	Below battery			
	Under dash, driver's side	1		Washer pump motor	Under dash, behind console			
				Wiper motor	Under dash, driver's side		T5	
				C 106 (14 terminal)				

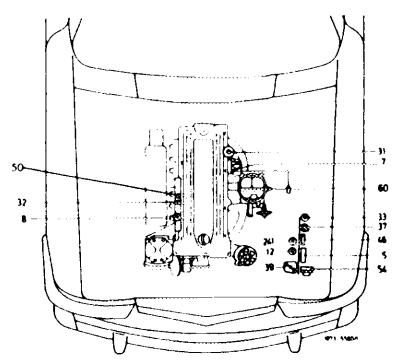
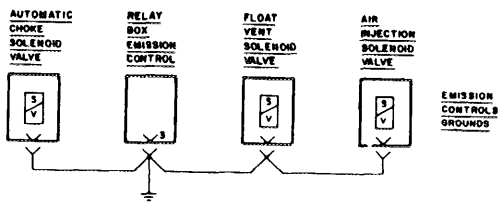


Fig 7

- 5 — Relay box
- 7 — 62° F (17° C) temp switch
- 8 — 212° F (100° C) temp switch
- 12 — Switch-over valve, EGR (brown)
- 32 — 149° F (65° C) temperature switch
- 33 — Switch-over valve, air injection (blue)
- 37 — Switch-over valve, fuel evaporation control system (green)
- 46 — Resistor, automatic choke cover
- 50 — Coolant Temp Sensor

ROUNDING CIRCUITS



J
K
L
M



LOCATION FIGURES

FUSE DATA

Fuse 1 (8 amps) Clock Flasher Interior lights Trunk light	Fuse 7 (8 amps) Front standing/parking light (left) Tail/parking light (left)
Fuse 2 (8 amps) Auxiliary fan motor Front standing parking lights Key buzzer Tail parking lights	Fuse 8 (16 amps) High beam indicator Horns Left and right high beams Windshield wiper/washer
Fuse 3 (16 amps) Blower motor	Fuse 9 (8 amps) Air conditioner clutch
Fuse 4 (8 amps) Backup light Brake lights Cruise control Emission control Glove box light Instrument cluster Kickdown solenoid Seat belt warning Turn signal	Fuse 10 (8 amps) Auxiliary fan relay Sliding roof Window control
Fuse 5 (8 amps) A C thermostat illumination Blower switch illumination Flasher illumination Front standing/parking (right) License plate light Rear side markers Tail parking light	Fuse 11 (8 amps) Left headlights, high beam
Fuse 6 (25 amps) Cigar lighter Heated rear window	Fuse 12 (8 amps) High beam indicator Right headlights, high beam
	Fuse 13 (16 amps) Fog lights Left headlight, low beam
	Fuse 14 (8 amps) Right headlight, low beam
	Fuse 15 (16 amps) Left rear window Right front window
	Fuse 16 (16 amps) Left front window Right rear window

1975 280S

AIR CONDITIONING CONTROL	K6
AUXILIARY FAN	L8
BLOWER MOTOR CONTROL	L5
CHARGE	C8
CIGAR LIGHTER	C6
CLOCK	F14
COOLANT TEMPERATURE GAUGE	F13
CRUISE CONTROL	R3
ENGINE EMISSION CONTROL	L11
FUEL GAUGE	F13
HEATED REAR WINDOW	R5
HEATER CONTROL	K5
HORNS	L13
IGNITION SYSTEM	C11
KICKDOWN	R7
LIGHT CIRCUITS	
AIR CONDITIONING THERMOSTAT	D17
BACKUP	S7
BRAKE	S2
BRAKE SYSTEM WARNING	F12
CONTROL	D16
FOG	D21
GLOVE BOX	R1
HEAD	D23
INSTRUMENT CLUSTER	D17
INTERIOR	G8
LOW FUEL WARNING	F13
MARKER	D19
PARKING	D20
STANDING	D20
TAIL	D20
TRUNK	G10
LIGHT SWITCH	B21
RADIO	C4
ANTENNA	G10
SEAT BELT WARNING	C2
SLIDING ROOF	G1
START	C4/C9
TURN SIGNAL/FLASHER	F14
TACH	C14
WINDOWS	G4
WINDSHIELD WIPER/WASHER	L3
POWER BUS DETAILS	L15
SPECIAL GROUNDING CIRCUITS	K19