

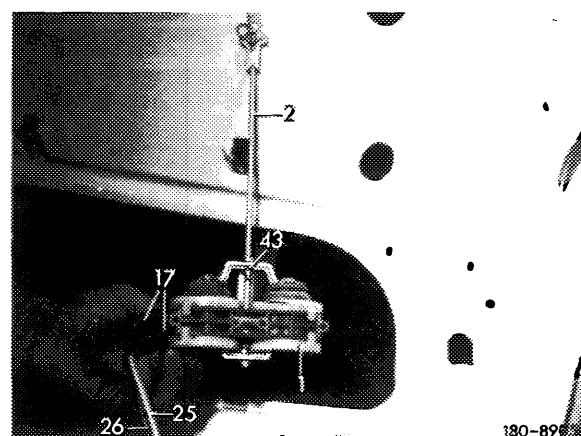
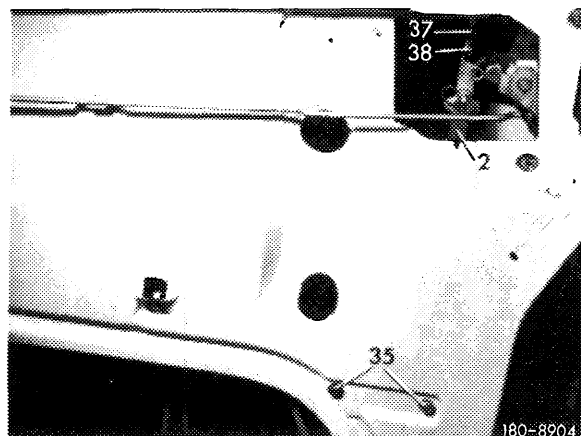
**Color code of vacuum lines for central interlock**

Vacuum line	Color code	
	1st version	2nd version
Interlocking line (25)	white	yellow-red
Unlocking line (26)	black	yellow-green

**Removal**

---

- 1 Remove door lining.
- 2 Remove safety clip (37) and safety rod (38).
- 3 Unscrew oval head screws (35) from vacuum element.
- 4 Remove vacuum element with control rod.
- 5 Pull connections (17) with interlocking line (25) and unlocking line (26) from vacuum element (1).
- 6 Pull lock washer (43) of control rod (2) from vacuum element (1) and pull out control rod.

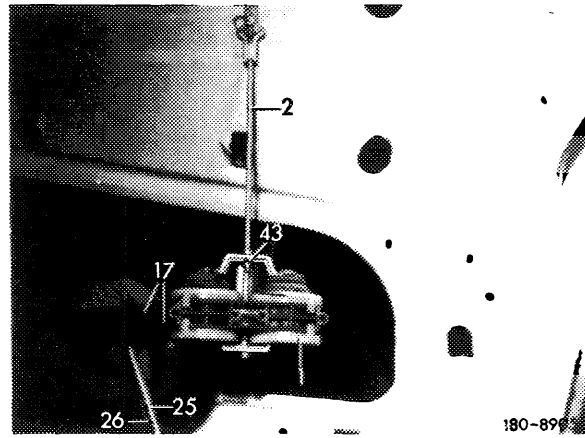


## Installation

---

7 Push control rod (2) into vacuum element (1) up to stop and secure with lock washer (43).

8 Slip interlocking line (25) and unlocking line (26) with connections (17) on vacuum element (1).



9 Insert vacuum element with control rod into front passenger door in such a manner that the vacuum connections are facing in driving direction and attach with oval head screws (35).

10 Attach safety rod (38) and control rod (2) to door lock and secure with safety clip (37).

11 Install door lining.

