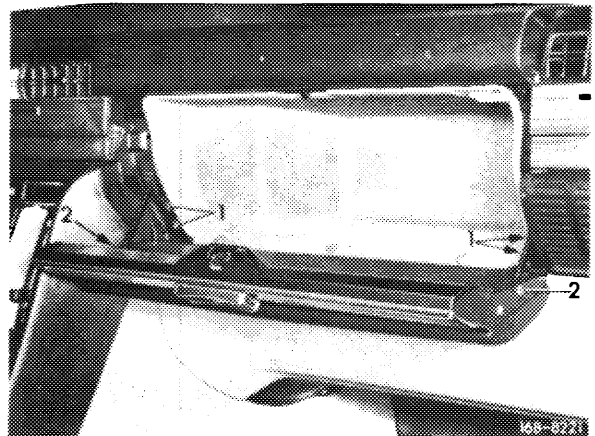


### Removal of cover for glovebox

---

- 1 Unscrew screws (1) on both sides of hinges.
- 2 Unscrew both screws (2) on stops.

**Note:** Unscrew screws (2) range of center console by means of offset screw driver.



### Installation

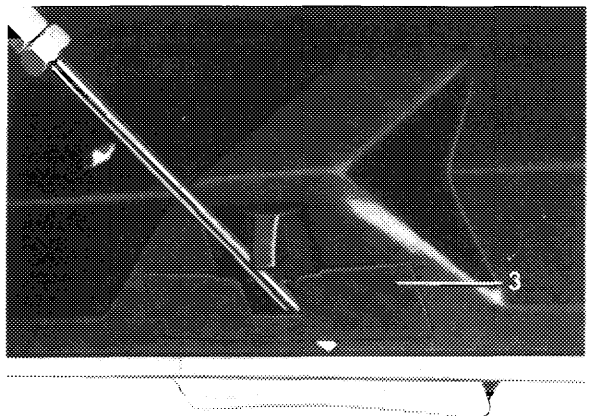
---

- 3 For installation proceed vice versa.

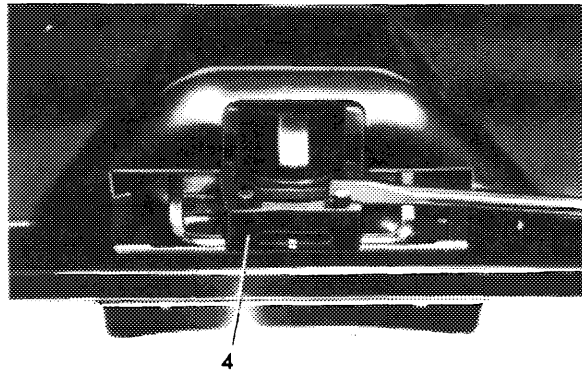
### Removal of lock for glovebox cover

---

- 1 Remove cover plate (3) for locking cylinder.

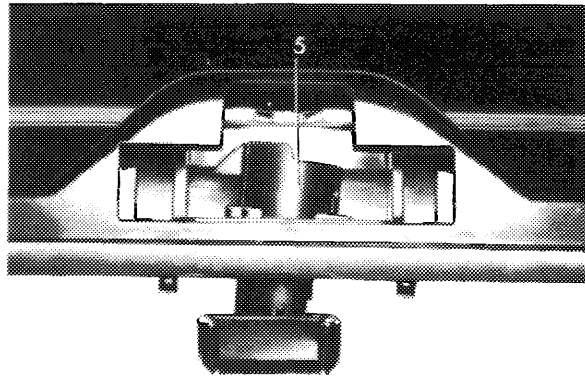


2 Force out lock (4).



168-9560

3 Pull out locking cylinder (5) slightly, turn to the left and take out of housing.



168-9562

### Installation

---

4 For installation proceed vice versa.